

bourdon tube "solid-front" pressure gauges all stainless steel construction DS 2.5" (63mm)



PED 2014/68/EU

These Solid-Front instruments are built in accordance with safety specifications of EN 837-1 "S3" and ASME B40.1.

The safety construction consists of a solid separating wall in stainless steel, placed between the scale and the elastic element and a blow out back which is released from the case whenever an internal pressure, due to leaks, is created or the elastic element is broken. A leak tight fit is ensured if the instrument is filled with a dampening fluid to prevent damage due to vibration. These instruments are designed for use in chemical and petrochemical processing industries, and in conventional power plants. They are built to resist the most severe operating conditions created by the ambient environment and the process medium.

1.20.1 - Standard Model

Design: EN 837-1.

Safety designation: S3 as per EN 837-2.

Ranges: from 0...15 to 0...15000 psi; from 0...1 to 0...1000 bar (or other equivalent units)

Accuracy class: 1,6 as per EN 837-1.

Ambient temperature: -13...+149 °F (-25...+65 °C).

Process fluid temperature: max +212°F (+100 °C).

Thermal drift: ±0,4 %/10 K of range (starting from 68°F - 20°C).

Working pressure:

75% of FSV for static pressure;

66% of FSV for pulsating pressure.

Over pressure limit (15 min max):

25% of FSV for pressure ranges ≤ 1500 psi (100 bar);

15% of FSV for pressure ranges over 1500 psi (100 bar).

Protection degree: IP 55 as per EN 60529/IEC 529.

Socket material: AISI 316L st.st.

Bourdon tube: AISI 316L st.st.

Case: stainless steel.

Ring: stainless steel, bayonet lock.

Blow out disk: plastic.

Window: safety glass.

Movement: stainless steel.

Dial: plastic.

Pointer: adjustable, aluminium, black.

1.20.2 - Fillable Model

Protection degree: IP 67 as per EN 60529/IEC 529.

Pointer: not adjustable, aluminium, black.

Other features: as Standard Model.

1.20.3 - Filled Model

Dampening liquid: glycerine 98%, silicon oil or fluorinated fluid.

Ambient temperature:

+32...+149 °F (0...+65 °C) with glycerine filling;

-40...+149 °F (-40...+65 °C) with silicon oil filling;

-40...+149 °F (-40...+65 °C) with fluorinated fluid filling.

Process fluid temperature: max +149°F (+65 °C).

Protection degree: IP 67 as per EN 60529/IEC 529.

Pointer: not adjustable, aluminium, black.

Other features: as Standard Model.

INSTRUMENTS FOR OXYGEN

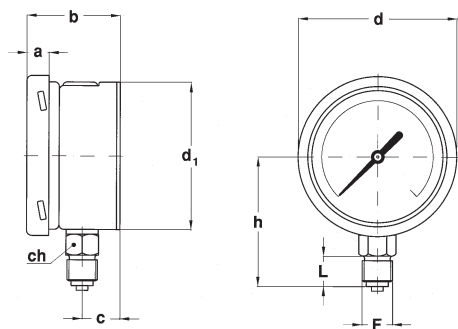
Glycerine or silicone should not be used with highly oxidizing agents such as oxygen, chlorine, nitric acid or hydrogen peroxide, because of danger of spontaneous chemical reaction, inflammability or explosion. The use of fluorinated fluid is recommended in these cases.

bourdon tube "solid-front" pressure gauges
all stainless steel construction, DS 2.5" (63mm)

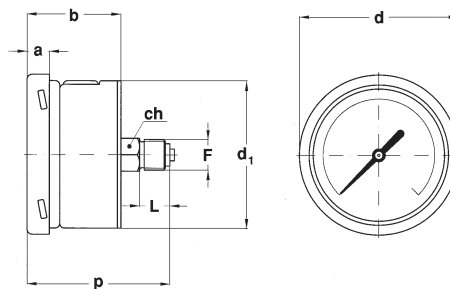
MG520

RG-03/14

IN ORDER TO IMPROVE THEIR PRODUCTION, MESSRS. NUOVA FIMA RESERVE THE RIGHT TO THEMSELVES TO MAKE ALL THE MODIFICATIONS THAT THEY DEEM INDISPENSABLE AT ANY TIME. UPDATED DATA SHEETS ARE AVAILABLE ON SITE: www.nuovafima.com



A - LOWER CONNECTION



D - BACK CONNECTION

Mounting	F	a	b	c	d	d ₁	h	p	L	ch	Weight (1)
Lower	21M - G 1/4 A	0.39"	1.57"	0.65"	2.67"	2.46"	2.13" - 2.17"		0.51"	(0.55 x 0.31 - 0.55 x 0.35)	0.44 lbs
	23M - 1/4-18 NPT	(10)	(40)	(16,7)	(68)	(62,6)	(54,3 - 55,3)		(13)	(14 x 8 - 14 x 9)	(0,2 kg)
Back	21M - G 1/4 A	0.39"	1.57"		2.67"	2.46"		2.32" - 2.36"	0.51"	(0.55 x 0.31 - 0.55 x 0.35)	0.50 lbs
	23M - 1/4-18 NPT	(10)	(40)		(68)	(62,6)		(59,1 - 60,1)	(13)	(14 x 8 - 14 x 9)	(0,23 kg)

dimensions : inches (mm)

(1) add 0.22 lbs (0,1 kg) when filled

OPTIONS

Model	standard	fillable	filled
E - Front flange, for back connection pressure gauges	◆	◆	◆
P01 - Suitable for filling with silicone/Fluorinated fluid		◆	
P02 - Oxygen service	◆	◆ (2)	◆ (1)
S10 - Silicone filling			◆
F30 - Fluorinated fluid filling			◆

(1) to be ordered only with instruments filled of fluorinated fluid

(2) to be ordered with instruments suitable for fluorinated fluid filling

"HOW TO ORDER" SEQUENCE

Section / Model / Case / Mounting / Diameter / Range / Process connection / Options

1 20 1 A C 21M E
 2 D 23M P01...F30
 3

