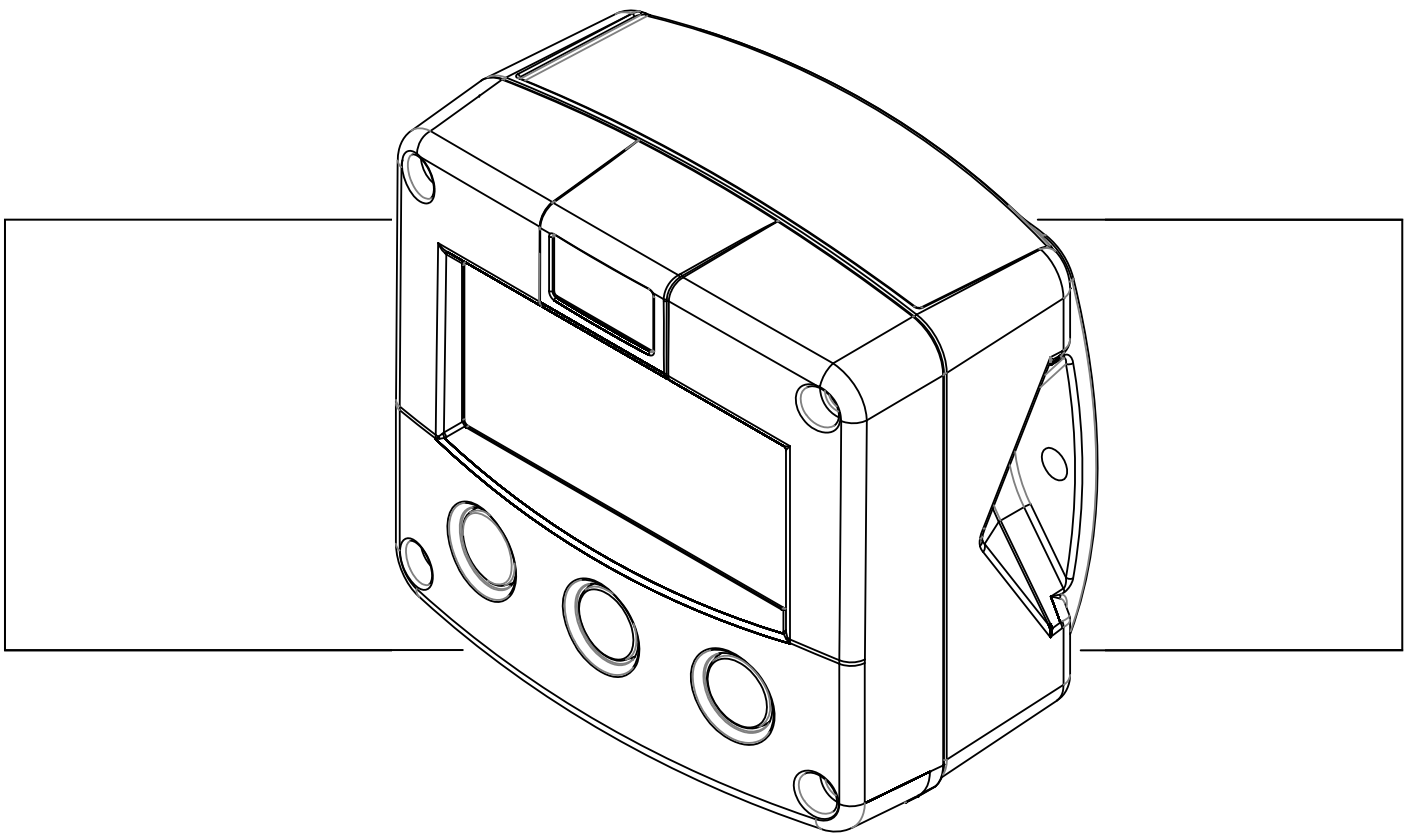


F110-A

FLOWRATE INDICATOR / TOTALIZER



Signal input flowmeter: (0)4-20mA

Signal outputs: (0)4-20mA / 0-10V ref. flowrate and pulse ref. total.

Options: Intrinsically Safe, Modbus communication, external reset and backlight.





SAFETY INSTRUCTIONS

- Any responsibility is lapsed if the instructions and procedures as described in this manual are not followed.
- **LIFE SUPPORT APPLICATIONS:** The F110-A is not designed for use in life support appliances, devices, or systems where malfunction of the product can reasonably be expected to result in a personal injury. Customers using or selling these products for use in such applications do so at their own risk and agree to fully indemnify the manufacturer and supplier for any damages resulting from such improper use or sale.
- **Electro static discharge does inflict irreparable damage to electronics! Before installing or opening the unit, the installer has to discharge himself by touching a well-grounded object.**
- This unit must be installed in accordance with the EMC guidelines (Electro Magnetic Compatibility).
- Do connect a proper grounding to the aluminum casing as indicated if the F110-A has been supplied with the 115-230V AC power-supply type PM. The green / yellow wire between the back-casing and removable terminal-block may never be removed.
- **Intrinsically Safe applications: follow the instructions as mentioned in Chapter 5 and consult “Fluidwell F1...-XI - Documentation for Intrinsic Safety”.**



DISPOSAL

At the end of its life this product should be disposed of according to local regulations regarding waste electronic equipment. If a battery is present in this product it should be disposed of separately. The separate collection and recycling of your waste equipment will help to conserve natural resources and ensure that it is recycled in a manner that protects the environment.

SAFETY RULES AND PRECAUTIONARY MEASURES

- The manufacturer accepts no responsibility whatsoever if the following safety rules and precautions instructions and the procedures as described in this manual are not followed.
- Modifications of the F110-A implemented without preceding written consent from the manufacturer, will result in the immediate termination of product liability and warranty period.
- Installation, use, maintenance and servicing of this equipment must be carried out by authorized technicians.
- Check the mains voltage and information on the manufacturer's plate before installing the unit.
- Check all connections, settings and technical specifications of the various peripheral devices with the F110-A supplied.
- Open the casing only if all leads are free of potential.
- Never touch the electronic components (ESD sensitivity).
- Never expose the system to heavier conditions than allowed according to the casing classification (see manufacture's plate and chapter 4.2.).
- If the operator detects errors or dangers, or disagrees with the safety precautions taken, then inform the owner or principal responsible.
- The local labor and safety laws and regulations must be adhered to.

ABOUT THE OPERATION MANUAL

This operation manual is divided into two main sections:

- The daily use of the unit is described in chapter 2 "Operation". These instructions are meant for users.
- The following chapters and appendices are exclusively meant for electricians/technicians. These provide a detailed description of all software settings and hardware installation guidance.

This operation manual describes the standard unit as well as most of the options available. For additional information, please contact your supplier.

A hazardous situation may occur if the F110-A is not used for the purpose it was designed for or is used incorrectly. Please carefully note the information in this operating manual indicated by the pictograms:



A "**warning**" indicates actions or procedures which, if not performed correctly, may lead to personal injury, a safety hazard or damage of the F110-A or connected instruments.



Caution !

A "**caution**" indicates actions or procedures which, if not performed correctly, may lead to personal injury or incorrect functioning of the F110-A or connected instruments.



Note !

A "**note**" indicates actions or procedures which, if not performed correctly, may indirectly affect operation or may lead to an instrument response which is not planned.

Hardware version:	02.01.xx
Software version:	02.05.xx
Manual :	HF110AEN_v0501_03
© Copyright 1997-2011	Fluidwell bv - The Netherlands.

Information in this manual is subject to change without prior notice. The manufacturer is not responsible for mistakes in this material or for incidental damage caused as a direct or indirect result of the delivery, performance or use of this material.

© All rights reserved. No parts of this publication may be reproduced or used in any form or by any means without written permission of your supplier.

CONTENTS MANUAL

Safety instructions	2
Disposal	2
Safety rules and precautionary measures	2
About the operation manual	3
Contents manual.....	4
1. Introduction	5
1.1. System description of the F110-A.....	5
2. Operational.....	7
2.1. General	7
2.2. Control panel.....	7
2.3. Operator information and functions	8
3. Configuration.....	9
3.1. Introduction	9
3.2. Programming SETUP-level.....	9
3.2.1. General	9
3.2.2. Overview functions SETUP level	12
3.2.3. Explanation OF SETUP-functions.....	13
1 - Total.....	13
2 - Flowrate	14
3 - Display	15
4 - Power management	15
5 - Flowmeter	16
6 - Analog output.....	18
7 - Relay output.....	19
8 - Communication (optional).....	20
9 - Others	20
4. Installation	21
4.1. General directions	21
4.2. Installation / surrounding conditions	21
4.3. Dimensions- Enclosure	22
4.4. Installing the hardware.....	24
4.4.1. Introduction	24
4.4.2. Voltage selection sensor supply	25
4.4.3. Terminal connectors	26
5. Intrinsically safe applications.....	32
5.1. General information and instructions	32
5.2. Terminal connectors Intrinsically Safe applications	33
5.3. Configuration examples Intrinsically Safe applications	35
5.4. Battery replacement instructions.....	37
6. Maintenance.....	38
6.1. General directions	38
6.2. Repair.....	38
6.3. Battery life-time	38
Appendix A: Technical specification	39
Appendix B: Problem solving.....	42
Appendix C: Communication variables.....	43
Index of this manual.....	46
Notes	47

1. INTRODUCTION

1.1. SYSTEM DESCRIPTION OF THE F110-A

Functions and features

The flowrate / totalizer model F110-A is a microprocessor driven instrument designed to display flowrate, total and accumulated total.

This product has been designed with a focus on:

- ultra-low power consumption to allow long-life battery powered applications (type PB / PC),
- intrinsic safety for use in hazardous applications (type XI),
- several mounting possibilities with aluminum or GRP enclosures for harsh industrial surroundings,
- ability to process all types of flowmeter signals,
- transmitting possibilities with analog / pulse and communication (option) outputs.

Flowmeter input

This manual describes the unit with a (0)4-20mA input from the flowmeter "-A version". Other versions are available to process pulse or 0-10V flowmeter signals.

One flowmeter with a (0)4-20mA output can be connected to the F110-A. To power the sensor, several options are available.

Standard outputs

- Configurable pulse output: a scaled pulse mirroring a certain totalized quantity. Maximum frequency 60Hz.; the pulse length can be set from 7,8msec up to 2 seconds.
- Configurable linear (0)4-20mA or 0-10V analog output with 10-bits resolution mirroring the actual flowrate. Flowrate levels as well as the minimum and maximum signal output can be tuned.

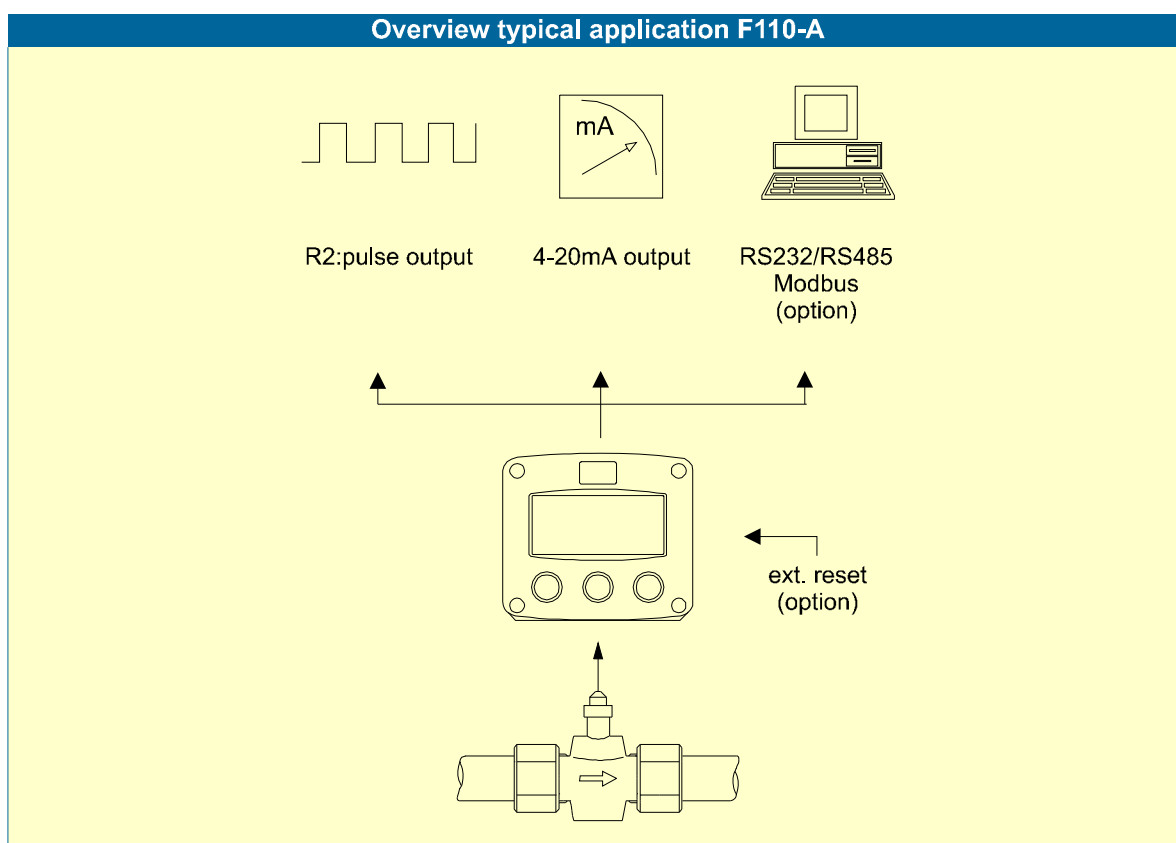


Fig. 1: Typical application for the F110-A.

Configuration of the unit

The F110-A was designed to be implemented in many types of applications. For that reason, a SETUP-level is available to configure your F110-A according to your specific requirements. SETUP includes several important features, such as Span, measurement units, signal settings etc. All settings are stored in EEPROM memory and will not be lost in the event of power failure or a drained battery.

To extend the battery-life time (option), please make use of the power-management functions as described in chapter 3.2.3.

Display information

The unit has a large transfective LCD with all kinds of symbols and digits to display measuring units, status information, trend-indication and key-word messages.

Flowrate and totals can be displayed either with the small 8mm digits or with the 17mm digits.

A backup of the total and accumulated total in EEPROM memory is made every minute.

Options

The following options are available: isolated or active 4-20mA / 0-10V / 0-20mA analog output, full Modbus communication RS232/485/TTL (also battery powered), intrinsic safety, mechanical relay or active output, power- and sensor-supply options, panel-mount, wall-mount and weather-proof enclosures, flame proof enclosure and LED backlight.

2. OPERATIONAL

2.1. GENERAL



The F110-A may only be operated by personnel who are authorized and trained by the operator of the facility. All instructions in this manual are to be observed. Take careful notice of the " Safety rules, instructions and precautionary measures " in the front of this manual.

This chapter describes the daily use of the F110-A. This instruction is meant for users / operators.

2.2. CONTROL PANEL

The following keys are available:

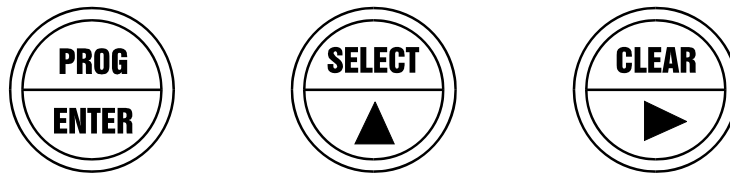


Fig. 2: Control Panel.

Functions of the keys



This key is used to program and save new values or settings. It is also used to gain access to SETUP-level; please read chapter 3.



This key is used to SELECT accumulated total. The arrow-key \blacktriangle is used to increase a value after PROG has been pressed or to configure the unit; please read chapter 3.



Press this key twice to CLEAR the value for total. The arrow-key \blacktriangleright is used to select a digit after PROG has been pressed or to configure the unit; please read chapter 3.

2.3. OPERATOR INFORMATION AND FUNCTIONS

In general, the F110-A will always act at Operator level. The information displayed depends upon the SETUP-settings. The signal generated by the connected flowmeter is measured by the F110-A in the background, whichever screen refresh rate setting is chosen. After pressing a key, the display will be updated very quickly during a 30 second period, after which it will slow-down again.



Fig. 3: Example of display information during process.

For the Operator, the following functions are available:

- **Display flowrate / total or flowrate**
 This is the main display information of the F110-A. After selecting any other information, it will always return to this main display automatically.
 Total is displayed on the upper-line of the display and flowrate on the bottom line.
 It is possible to display flowrate only with the large 17mm digits; in this instance press the SELECT-key to read the total.
 When "-----" is shown, then the flowrate value is too high to be displayed. The arrows ⇄ indicate the increase/decrease of the flowrate trend.
- **Clear total**
 The value for total can be re-initialized. To do so, press CLEAR twice. After pressing CLEAR once, the flashing text "PUSH CLEAR" is displayed. To avoid re-initialization at this stage, press another key than CLEAR or wait for 20 seconds.
 Re-initialization of total DOES NOT influence the accumulated total.
- **Display accumulated total**
 When the SELECT-key is pressed, total and accumulated total are displayed. The accumulated total cannot be re-initialized. The value will count up to 99,999,999,999. The unit and number of decimals are displayed according to the configuration settings for total.
- **Low-battery alarm**
 When the battery voltage drops, it must be replaced. At first "low-battery" will flash, but as soon as it is displayed continuously, the battery MUST be replaced shortly after!
 Only original batteries supplied by the manufacturer may be used, else the guarantee and liability will be terminated. The remaining lifetime after the first moment of indication is generally several days up to some weeks.



Fig. 4: Example of low-battery alarm.

- **Alarm 01-03**
 When "alarm" is displayed, please consult Appendix B: problem solving.

3. CONFIGURATION

3.1. INTRODUCTION

This and the following chapters are exclusively meant for electricians and non-operators. In these, an extensive description of all software settings and hardware connections are provided.



Mounting, electrical installation, start-up and maintenance of the instrument may only be carried out by trained personnel authorized by the operator of the facility. Personnel must read and understand this Operating Manual before carrying out its instructions.

The F110-A may only be operated by personnel who are authorized and trained by the operator of the facility. All instructions in this manual are to be observed.

Ensure that the measuring system is correctly wired up according to the wiring diagrams. The housing may only be opened by trained personnel.

Take careful notice of the " Safety rules, instructions and precautionary measures " in the front of this manual.

3.2. PROGRAMMING SETUP-LEVEL

3.2.1. GENERAL

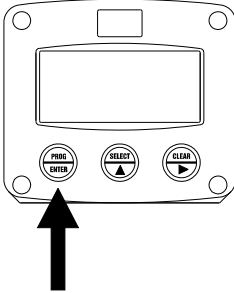
Configuration of the F110-A is done at SETUP-level. SETUP-level is reached by pressing the PROG/ENTER key for 7 seconds; at which time, both arrows \blacktriangle will be displayed. In order to return to the operator level, PROG will have to be pressed for three seconds. Alternatively, if no keys are pressed for 2 minutes, the unit will exit SETUP automatically.

SETUP can be reached at all times while the F110-A remains fully operational.



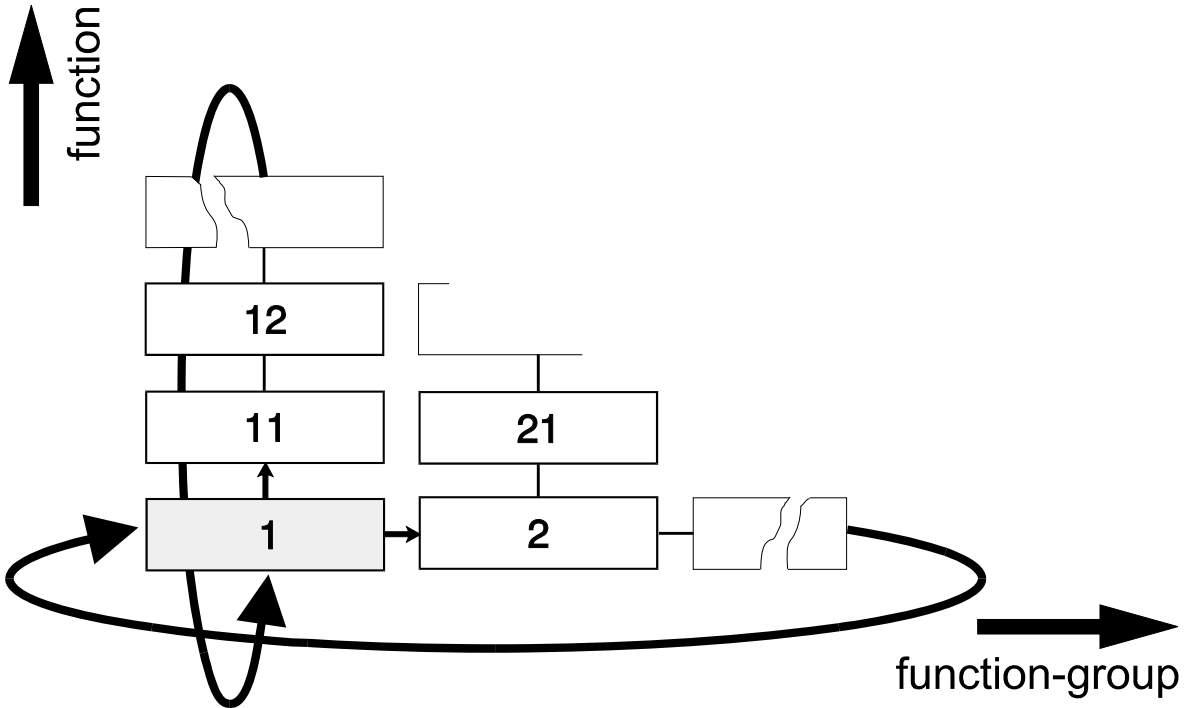
Note: A pass code may be required to enter SETUP. Without this pass code access to SETUP is denied.

To enter SETUP-level:



Press  for 7 seconds

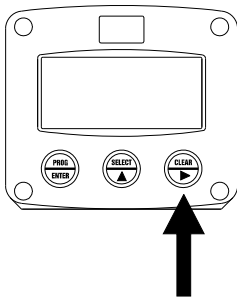
Matrix structure SETUP-level:



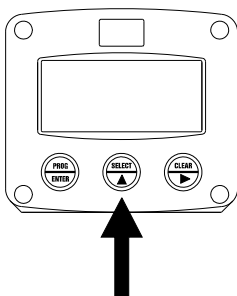
SCROLLING THROUGH SETUP-LEVEL

Selection of function-group and function:

SETUP is divided into several function groups and functions.



Select function-group with



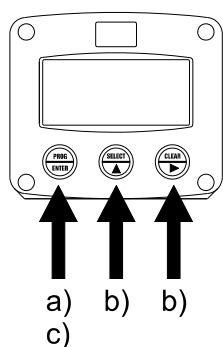
Select function with









Each function has a unique number, which is displayed below the word "SETUP" at the bottom of the display. The number is a combination of two figures. The first figure indicates the function-group and the second figure the sub-function. Additionally, each function is expressed with a keyword.



After selecting a sub-function, the next main function is selected by scrolling through all "active" sub-functions (e.g. 1[▲], 11[▲], 12[▲], 13[▲], 14[▲], 1[▶], 2[▶], 3[▲], 31 etc.).



To change or select a value:



- a) press  briefly; **PROGRAM** will start flash
- b) select or enter value with  and / or 
- c) press  to confirm the value / selection.

To change a value, use  to select the digits and  to increase that value.

To select a setting, both  and  can be used.

If the new value is invalid, the increase sign  or decrease-sign  will be displayed while you are programming.

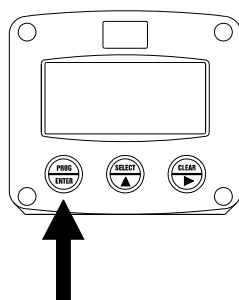
When data is altered but ENTER is not pressed, then the alteration can still be cancelled by waiting for 20 seconds or by pressing ENTER for three seconds: the PROG-procedure will be left automatically and the former value reinstated.



Note !

Note: alterations will only be set after ENTER has been pressed!

To return to OPERATOR-level:



Press  for 3 seconds

In order to return to the operator level, PROG will have to be pressed for three seconds. Also, when no keys are pressed for 2 minutes, SETUP will be left automatically.

3.2.2. OVERVIEW FUNCTIONS SETUP LEVEL

SETUP FUNCTIONS AND VARIABLES			
1	TOTAL		
	11	UNIT	L - m3 - kg - lb - GAL - USGAL - bbl - no unit
	12	DECIMALS	0 - 1 - 2 - 3 (Ref: displayed value)
	13	SPAN	0.000001 - 999,999 unit/second
	14	DECIMALS SPAN	0 - 6
2	FLOWRATE		
	21	UNIT	mL - L - m3 - mg - g - kg - ton - GAL - bbl - lb - cf - REV - no unit - scf - Nm3 - NL - P
	22	TIME UNIT	sec - min - hour - day
	23	DECIMALS	0 - 1 - 2 - 3 (Ref: displayed value)
	24	SPAN	0.000001 - 999,999 unit/time-unit
	25	DECIMALS SPAN	0 - 6
3	DISPLAY		
	31	FUNCTION	total - flowrate
4	POWER MANAGEMENT		
	41	LCD UPDATE	fast - 1 sec - 3 sec - 15 sec - 30 sec - off
	42	BATTERY MODE	operational - shelf
5	FLOWMETER		
	51	FORMULA	interpolation, square root
	52	FILTER	00 - 99
	53	CUT-OFF	0.0 - 99.9%
	54	CALIBRATE LOW	default - calibrate - calibrate set
	55	CALIBRATE HIGH	default - calibrate - calibrate set
6	ANALOG		
	61	OUTPUT	disable - enable
	62	MINIMUM SIGNAL	flowrate 000.000 - 999,999 unit/time unit
	63	MAXIMUM SIGNAL	flowrate 000.000 - 999,999 unit/time unit
	64	CUT-OFF	0.0 - 9.9%
	65	TUNE MIN - (0)4mA / 0V	0 - 9,999
	66	TUNE MAX- 20mA / 10V	0 - 9,999
	67	FILTER	00 - 99
7	IMPULSE		
	71	PERIOD TIME	0 - 250
	72	IMPULSE PER	X,XXX,XXX quantity
8	COMMUNICATION		
	81	SPEED / BAUDRATE	1200 - 2400 - 4800 - 9600
	82	ADDRESS	1 - 255
	83	MODE	ASCII - rtu - off
9	OTHERS		
	91	TYPE / MODEL	
	92	SOFTWARE VERSION	
	93	SERIAL NO.	
	94	PASS CODE	0000 - 9999
	95	TAGNUMBER	0000000 - 9999999

3.2.3. EXPLANATION OF SETUP-FUNCTIONS

1 - TOTAL	
MEASUREMENT UNIT 11	<p>SETUP - 11 determines the measurement unit for total, accumulated total and pulse output. The following units can be selected:</p> <p style="text-align: center;">L - m3 - kg - lb. - GAL - USGAL - bbl - _ (no unit).</p> <p>Alteration of the measurement unit will have consequences for operator and SETUP-level values. Please note that the Span has to be adapted as well; the calculation is not done automatically.</p>
DECIMALS 12	<p>The decimal point determines for total, accumulated total and pulse output the number of digits following the decimal point. The following can be selected:</p> <p style="text-align: center;">000000 - 111111.1 - 22222.22 - 3333.333</p>
SPAN 13	<p>With the span, the flowmeter signal is converted to a quantity. The span for Total is determined on the basis of the measurement unit (setting 11) and the flowrate per second at 20mA (or max signal). Enter the span in whole numbers (decimals are set with SETUP 14). The more accurate the span, the more accurate the functioning of the system will be:</p> <p>Example 1 Calculating the Span. <i>Let us assume that the flowmeter generates 20mA at a rate of 652.31 USGAL per hour, the selected unit is barrels. There are 42 gallons in one barrel; so the rate is 652.31/42 is 15.53119 barrels/hour. This is 0.0043142 barrels/second, which is the span. Enter for SETUP - 13: "004314" and for SETUP - 14 "6".</i></p> <p>Example 2 Calculating the Span. <i>Let us assume that the flowmeter generates 20mA at a flowrate of 2,481.3 Liters/minute and the selected unit is "cubic meters / m3". The rate per second is 2,481.3÷60 is 41.355 L/sec. This is 0.041355 m3/sec., which is the span. Enter for SETUP - 13: "041355" and for SETUP - 14 - decimals span "6".</i></p>
DECIMALS SPAN 14	<p>This setting determines the number of decimals for the Span (SETUP 13). The following can be selected:</p> <p style="text-align: center;">0 - 1 - 2 - 3 - 4 - 5 - 6</p> <p>Please note that this function influences the accuracy of the Span indirectly. This setting has NO influence on the displayed number of digits for total (SETUP 12)!</p>

2 - FLOWRATE	
<p>The settings for total and flowrate are entirely separate. In this way, different units of measurement can be used for each e.g. cubic meters for total and liters for flowrate. The display update time for flowrate is one second or more. <i>Note: these settings also influence the analog output.</i></p>	
<p>MEASUREMENT UNIT 21</p>	<p>SETUP - 21 determines the measurement unit for flowrate. The following units can be selected:</p> <p style="text-align: center;">mL - L - m3 - mg - g - kg - ton - GAL - bbl - lb - cf - REV - no unit - scf - Nm3 - NL - P.</p> <p>Alteration of the measurement unit will have consequences for operator and SETUP-level values. Please note that the Span has to be adapted as well; the calculation is not done automatically.</p>
<p>TIME UNIT 22</p>	<p>The flowrate can be calculated per second (SEC), minute (MIN), hour (HR) or day (DAY).</p>
<p>DECIMALS 23</p>	<p>This setting determines for flowrate the number of digits following the decimal point. The following can be selected:</p> <p style="text-align: center;">00000 - 1111.1 - 2222.22 - 3333.333</p>
<p>SPAN 24</p>	<p>With the span, the flowmeter signal is converted to a quantity. The span for flowrate is determined on the basis of the selected measurement unit and time unit at 20mA (or maximum signal). Enter the span in whole numbers (decimals are set with SETUP 25). The more accurate the span, the more accurate the functioning of the system will be:</p> <p>Example 1 Calculating the span for flowrate <i>Let us assume that the flowmeter generates 20mA at a flowrate of 2,481.3 Liters/minute, the selected unit is "Liters" and time unit "minute". The span is 2481.3 Enter for SETUP - 24: "248130" and for SETUP - 25 - decimals span "2".</i></p> <p>Example 2 Calculating the span for flowrate <i>Let us assume that the flowmeter generates 20mA at a rate of 652.31 USGAL per hour, the selected unit is USG and the time unit is minute. The span is 652.31 / 60 minutes is 10.87183 (GPM). Enter for SETUP - 24: "108718" and for SETUP - 25 "4".</i></p>
<p>DECIMALS SPAN 25</p>	<p>This setting determines the number of decimals for the Span (SETUP 24). The following can be selected:</p> <p style="text-align: center;">0 - 1 - 2 - 3 - 4 - 5 - 6</p> <p>Please note that this SETUP - influences the accuracy of the Span indirectly. This setting has NO influence on the displayed number of digits for "flowrate" (SETUP 23)!</p>

3 - DISPLAY

FUNCTION 31	The large 17mm digits can be set to display total or flowrate. When "total" is selected, both total and flowrate are displayed simultaneously. When "flowrate" is selected, only flowrate will be displayed with it's measuring unit while total will be displayed after pressing SELECT.
------------------------------	-------------------------------------------------------------------------------------------------------------------------------------------------------------------------------------------------------------------------------------------------------------------------------------------

4 - POWER MANAGEMENT

When used with the internal battery option, the user can expect reliable measurement over a long period of time. The F110-A has several smart power management functions to extend the (optional) battery life time significantly. Two of these functions can be set:

LCD NEW 41	<p>The calculation of the display-information influences the power consumption significantly. When the application does not require a fast display update, it is strongly advised to select a slow refresh rate. Please understand that NO information will be lost; the signal will be processed and the output signals will be generated in the normal way. The following can be selected:</p> <p style="text-align: center;">Fast - 1 sec - 3 sec - 15 sec - 30 sec - off.</p> <p>Example 3: Battery life-time <i>battery life-time with a FAST update: about 3 years.</i> <i>battery life-time with a 1 sec update: about 7 years.</i></p> <p>Note: after a button has been pressed by the operator - the display refresh rate will always switch to FAST for 30 seconds. When "OFF" is selected, the display will be switched off after 30 seconds and will be switched on as soon as a button has been pressed.</p>
BATTERY-MODE 42	<p>The unit has two modes: operational or shelf. After "shelf" has been selected, the unit can be stored for several years; it will not process the signal, the display is switched-off but all settings and totals are stored. In this mode, power consumption is extremely low. To wake up the unit again, press the SELECT-key twice.</p>



Note !

5 - FLOWMETER

SIGNAL
51

The F110-A can process the 4-20mA signal in two ways:

- Interpolation: the signal is processed linear

$$R = S \times I$$

- Square root: for differential pressure

$$R = S \sqrt{I}$$

where:

R = Rate: the calculated flowrate

S = Span: the maximum flowrate at 20mA. The span is programmed with setting 24 for flowrate and with setting 13 for total.

I = Input: the scaled analog value; in these formulas value 0 (zero) for (0)4mA and value 1 (one) for 20mA.

FILTER
52

The analog output signal of a flowmeter does mirror the actual flow. This signal is measured several times a second by the F110-A. The value measured is a "snap-shot" of the real flow. With the help of this digital filter a more stable and accurate reading can be obtained while the filter level can be set to a desired value.

The filter principal is based on three input values: the filter level (01-99), the last measured analog value and the last average value. The higher the filter level, the longer the response time on a value change will be. Below, several filter levels with their response times are indicated:

FILTER VALUE

RESPONSE TIME ON STEP CHANGE OF ANALOG VALUE.

TIME IN SECONDS

	50% INFLUENCE	75% INFLUENCE	90% INFLUENCE	99% INFLUENCE
01	filter disabled	filter disabled	filter disabled	filter disabled
02	0.3 seconds	0.5 seconds	1.0 seconds	1.8 seconds
03	0.5 seconds	1.0 seconds	1.5 seconds	3 seconds
05	1.0 seconds	1.8 seconds	2.8 seconds	5.3 seconds
10	1.8 seconds	3.5 seconds	5.6 seconds	11 seconds
20	3.5 seconds	7.0 seconds	11 seconds	23 seconds
30	5.3 seconds	10 seconds	17 seconds	34 seconds
50	8.8 seconds	17 seconds	29 seconds	57 seconds
75	13 seconds	26 seconds	43 seconds	86 seconds
99	17 seconds	34 seconds	57 seconds	114 seconds

Continued next page >>>



Note !

5 - FLOWMETER (CONTINUED)

CUT-OFF 53	<p>To ignore e.g. leakage of the flow or vibration, a low-flow cut-off can be set as percentage over the full range of 16mA (or 20mA / 10V). When the analog value is less than required with this setting, the signal will be ignored. The cut-off value can be programmed in the range 0.0 - 99.9%.</p> <p>Examples:</p>			
FUNCTION (SETUP 51)	SPAN (SETUP 13/24)	REQUIRED CUT-OFF	CUT-OFF (SETUP 53)	REQUIRED OUTPUT
interpolation	450 L/min	25 L/min	$25/450 \times 100\% = 5.5\%$	$16\text{mA} \times 5.5\% + 4\text{mA} = 4.88\text{mA}$
square root	450 L/min	25 L/min	$(25/450)^2 \times 100\% = 0.3\%$	$16\text{mA} \times 0.3\% + 4\text{mA} = 4.05\text{mA}$
TUNE MIN / 4MA 54	<p>With this setting it is possible to calibrate the input value for (0)4mA as the signal from the flowmeter might not be exact 4.0 mA (or 0.0 mA) at flowrate zero. This function will measure the real output value at flow zero.</p> <ul style="list-style-type: none"> ▪ <i>Warning: be very sure that the offered signal is correct before the calibration is executed as this function has major influences on the accuracy of the system!</i> <p>After pressing PROG, three settings can be selected:</p> <ul style="list-style-type: none"> ▪ CALIBRATE: with this setting, the input will be calibrated with the actual "(0)4mA" value. After pressing enter, CAL SET will be displayed as soon as the calibration is completed. From that moment, the analog value must be more than the calibrated value before the signal will be processed. ▪ DEFAULT: with this setting, the manufactures value is re-installed. ▪ CAL SET: to select the last calibrated value. 			
TUNE MAX / 20MA 55	<p>With this setting it is possible to calibrate the input value for 20mA as the signal from the flowmeter might not be exact 20.0 mA at maximum flowrate. This function will measure the real output value at maximum flowrate.</p> <ul style="list-style-type: none"> ▪ <i>Warning: be very sure that the offered signal is correct before the calibration is executed as this function has major influences on the accuracy of the system!</i> <p>After pressing PROG, three settings can be selected:</p> <ul style="list-style-type: none"> ▪ CALIBRATE: with this setting, the input will be calibrated with the actual "20mA" value. After pressing enter, CAL SET will be displayed as soon as the calibration is completed. From that moment, the analog value must be less than the calibrated value for a reliable measurement. ▪ DEFAULT: with this setting, the manufactures value is re-installed. ▪ CAL SET: to select the last calibrated value. 			



6 - ANALOG OUTPUT



Note !

A linear analog (0)4-20mA or 0-10V signal is generated according to the flowrate with a 10 bits resolution. The settings for flowrate (SETUP - 2) influence the analog output directly. The relationship between rate and analog output is set with the following functions:

DISABLE / ENABLE 61	The analog output can be disabled. In case of a passive analog output type AP, 3.5mA will be generated if a power supply is available but the output is disabled.
MINIMUM FLOWRATE 62	Enter here the flowrate at which the output should generate the minimum signal (0/4mA or 0V) - in most applications at flowrate "zero". The number of decimals displayed depend upon SETUP 23. The time and measuring units (L/min for example) are dependant upon SETUP 21 and 22 but are not displayed.
MAXIMUM FLOWRATE 63	Enter here the flowrate at which the output should generate the maximum signal (20mA or 10V) - in most applications at maximum flow. The number of decimals displayed depend upon SETUP 23. The time and measuring units (L/min for example) are dependant upon SETUP 21 and 22 but cannot be displayed.
CUT-OFF 64	To ignore leakage of the flow for example, a low flow cut-off can be set as a percentage of the full range of 16mA, (or 20mA or 10V). When the flow is less than the required rate, the current will be the minimum signal (0/4mA or 10V). Examples:

4mA (SETUP 62)	20mA (SETUP 63)	CUT-OFF (SETUP 64)	REQUIRED RATE	OUTPUT
0 L/min	100 L/min	2%	$(100-0)*2\% = 2.0 \text{ L/min}$	$4+(16*2\%) = 4.32\text{mA}$
20 L/min	800 L/min	3.5%	$(800-20)*3.5\% = 27.3 \text{ L/min}$	$4+(16*3.5\%) = 4.56\text{mA}$

TUNE MIN / 4MA 65	<p>The initial minimum analog output value is 0/4mA or 0V. However, this value might differ slightly due to external influences such as temperature for example. The 0/4mA or 0V value can be tuned precisely with this setting.</p> <p style="text-align: center;">Before tuning the signal, be sure that the analog signal is not being used for any application!</p> <p>After pressing PROG, the current will be about 4mA (or 0mA / 0V). The current can be increased / decreased with the arrow-keys and is <u>directly active</u>. Press ENTER to store the new value. Remark: the analog output value can be programmed "up-side-down" if desired, so 20mA at minimum flowrate for example!</p>
------------------------------------	------------------------------------------------------------------------------------------------------------------------------------------------------------------------------------------------------------------------------------------------------------------------------------------------------------------------------------------------------------------------------------------------------------------------------------------------------------------------------------------------------------------------------------------------------------------------------------------------------------------------------------------------------------------------------------------------------------



TUNE MAX / 20MA 66	<p>The initial maximum analog output value is 20mA (or 10V). However, this value might differ slightly due to external influences such as temperature for example. The 20mA value (or 10V) can be tuned precisely with this setting.</p> <p style="text-align: center;">Before tuning the signal, be sure that the analog signal is not being used for any application!</p> <p>After pressing PROG, the current will be about 20mA. The current can be increased / decreased with the arrow-keys and is <u>directly active</u>. Press ENTER to store the new value. Remark: the analog output value can be programmed "up-side-down" if desired, so 4mA at maximum flowrate for example!</p>
-------------------------------------	--------------------------------------------------------------------------------------------------------------------------------------------------------------------------------------------------------------------------------------------------------------------------------------------------------------------------------------------------------------------------------------------------------------------------------------------------------------------------------------------------------------------------------------------------------------------------------------------------------------------------------------------------------------------------------------------------



Continued next page >>>

6 - ANALOG OUTPUT (CONTINUED)

FILTER 67	This function is used to stabilize the analog output signal. The output value is updated every 0.1 second. With the help of this digital filter a more stable but less precise reading can be obtained. The filter principal is based on three input values: the filter level (01-99), the last analog output value and the last average value. The higher the filter level, the longer the response time on a value change will be. Below, several filter levels with their response times are indicated:			
FILTER VALUE	RESPONSE TIME ON STEP CHANGE OF ANALOG VALUE. TIME IN SECONDS			
	50% INFLUENCE	75% INFLUENCE	90% INFLUENCE	99% INFLUENCE
01	filter disabled	filter disabled	filter disabled	filter disabled
02	0.1 second	0.2 second	0.4 second	0.7 second
03	0.2 second	0.4 second	0.6 second	1.2 seconds
05	0.4 second	0.7 second	1.1 seconds	2.1 seconds
10	0.7 second	1.4 seconds	2.2 seconds	4.4 seconds
20	1.4 seconds	2.8 seconds	4.5 seconds	9.0 seconds
30	2.1 seconds	4 seconds	7 seconds	14 seconds
50	3.5 seconds	7 seconds	11 seconds	23 seconds
75	5.2 seconds	10 seconds	17 seconds	34 seconds
99	6.9 seconds	14 seconds	23 seconds	45 seconds

7 - RELAY OUTPUT

One transistor or mechanic relay output is available as scaled pulse output according to the accumulated total.

PERIOD TIME PULSE OUTPUT 71

The period time determines the time that the transistor or relay will be switched; in other words the pulse length. The minimum time between the pulses is as long as the selected period time.

One period is approx. 7.8 msec. If the value selected is "zero", the pulse output is disabled. The maximum value is 255 periods.

Note: *If the frequency should go out of range - when the flowrate increases for example - an internal buffer will be used to "store the missed pulses": As soon as the flowrate reduces again, the buffer will be "emptied".*

It might be that pulses will be missed due to a buffer-overflow, so it is advised to program this setting within it's range.

If a mechanic relay is used for the pulse output, it is recommended to reduce the max. output frequency to 0.5Hz, else the life time will be reduced significantly.

NUMBER OF PERIODS	PERIOD TIME	MAX. FREQUENCY
0	disabled	disabled
1	0,0078 seconds	64 Hz.
2	0,0156 seconds	32 Hz.
3	0,0234 seconds	21 Hz.
64	0,5000 seconds	1 Hz.
255	1,9922 seconds	0.25 Hz.

PULSE PER 72

According to the measurement unit settings for total, a pulse will be generated every X-quantity. Enter this quantity here while taking the displayed decimal position and measuring unit into account.



Note !

8 - COMMUNICATION (OPTIONAL)

The functions described below deal with hardware that is not part of the standard delivery. Programming of these functions does not have any effect if this hardware has not been installed. Consult Appendix C and the Modbus communication protocol description for a detailed explanation.

BAUDRATE 81	For external control, the following communication speeds can be selected: 1200 - 2400 - 4800 - 9600 baud
BUS ADDRESS 82	For communication purposes, a unique identity can be attributed to every F110-A. This address can vary from 1-255.
MODE 83	The communication protocol is Modbus ASCII or RTU mode. Select OFF, to disable this communication function.

9 - OTHERS

TYPE OF MODEL 91	For support and maintenance it is important to have information about the characteristics of the F110-A. Your supplier will ask for this information in the case of a serious breakdown or to assess the suitability of your model for upgrade considerations.
VERSION SOFTWARE 92	For support and maintenance it is important to have information about the characteristics of the F110-A. Your supplier will ask for this information in the case of a serious breakdown or to assess the suitability of your model for upgrade considerations.
SERIAL NUMBER 93	For support and maintenance it is important to have information about the characteristics of the F110-A. Your supplier will ask for this information in the case of a serious breakdown or to assess the suitability of your model for upgrade considerations.
PASS CODE 94	All SETUP-values can be pass code protected. This protection is disabled with value 0000 (zero). Up to and including 4 digits can be programmed, for example 1234.
TAGNUMBER 95	For identification of the unit and communication purposes, a unique tag number of maximum 7 digits can be entered.

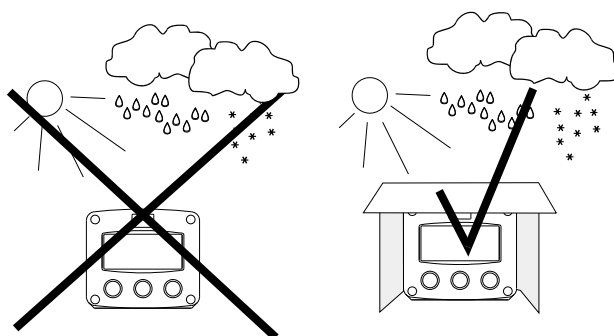
4. INSTALLATION

4.1. GENERAL DIRECTIONS



- Mounting, electrical installation, start-up and maintenance of this instrument may only be carried out by trained personnel authorized by the operator of the facility. Personnel must read and understand this Operating Manual before carrying out its instructions.
- The F110-A may only be operated by personnel who are authorized and trained by the operator of the facility. All instructions in this manual are to be observed.
- Ensure that the measuring system is correctly wired up according to the wiring diagrams. Protection against accidental contact is no longer assured when the housing cover is removed or the panel cabinet has been opened (danger from electrical shock). The housing may only be opened by trained personnel.
- Take careful notice of the " Safety rules, instructions and precautionary measures " at the front of this manual.

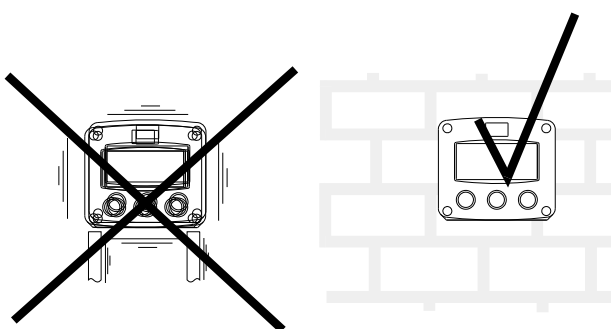
4.2. INSTALLATION / SURROUNDING CONDITIONS



Take the relevant IP classification of the casing into account (see manufactures plate). Even an IP67 (NEMA 4X) casing should NEVER be exposed to strongly varying (weather) conditions.

When panel-mounted, the unit is IP65 (NEMA 4X)!

When used in very cold surroundings or varying climatic conditions, take the necessary precautions against moisture by placing a dry sachet of silica gel, for example, inside the instrument case.



Mount the F110-A on a solid structure to avoid vibrations.

4.3. DIMENSIONS- ENCLOSURE

Aluminum enclosures:

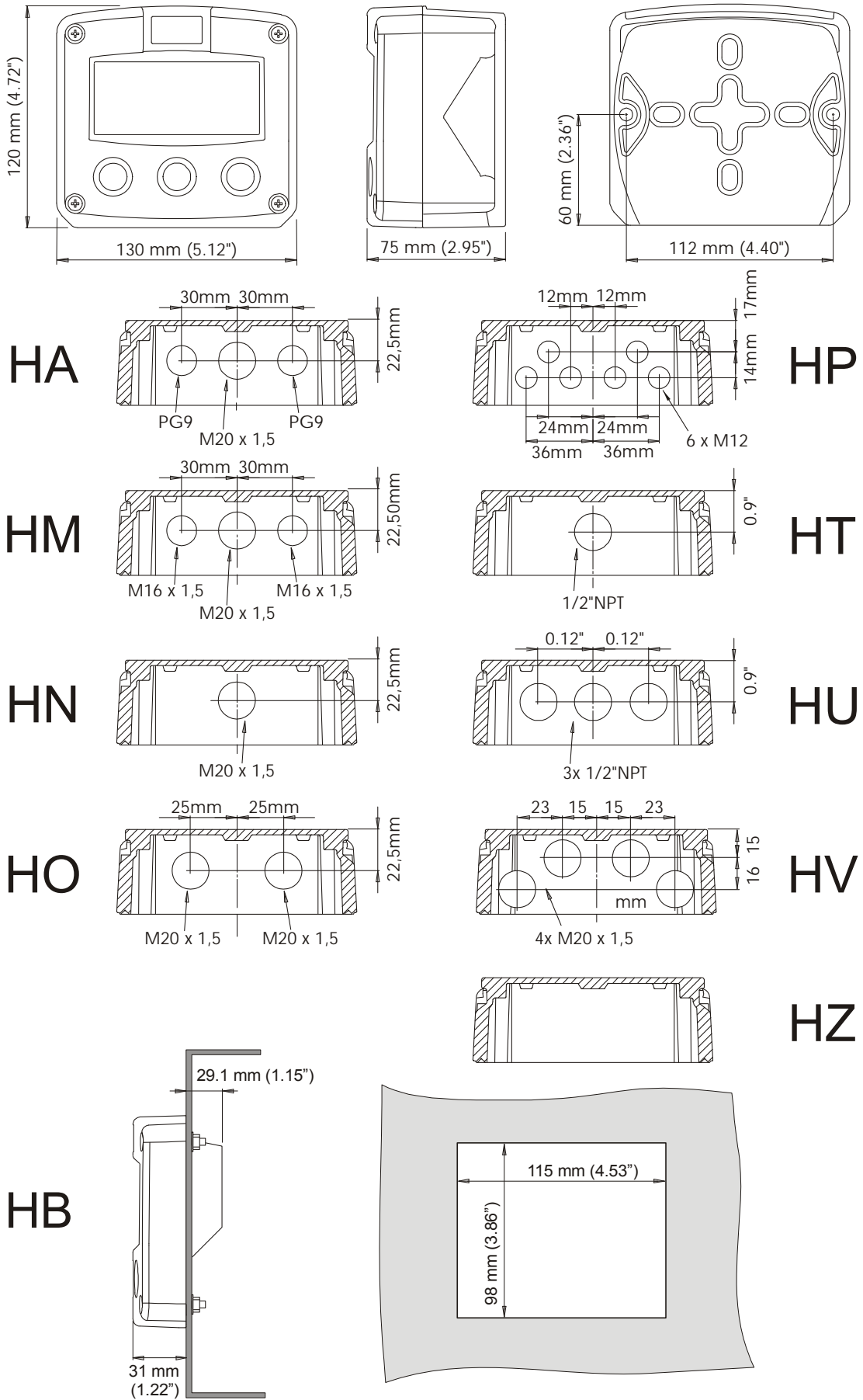
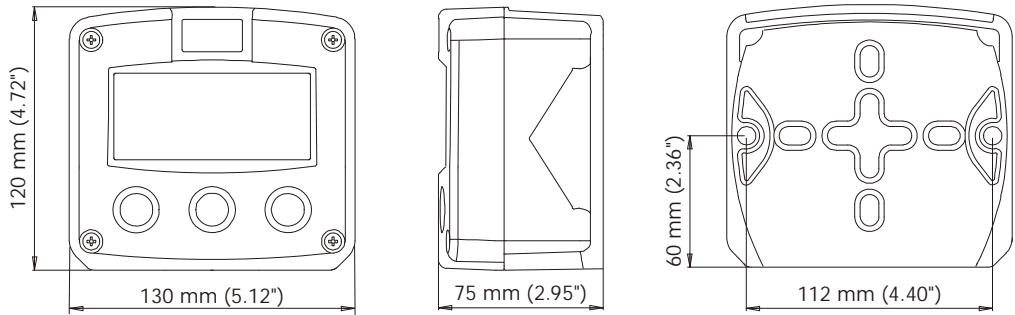
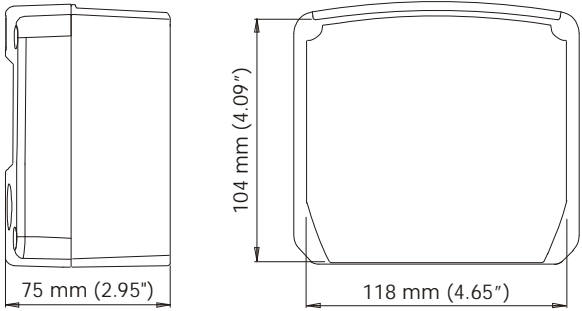


Fig. 5: Dimensions aluminum enclosures.

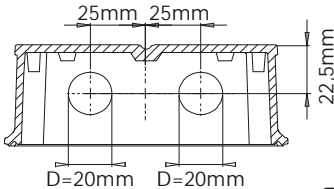
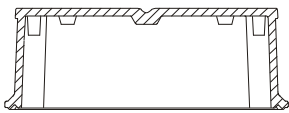
GRP enclosures:



HK back box:
(flat bottom)

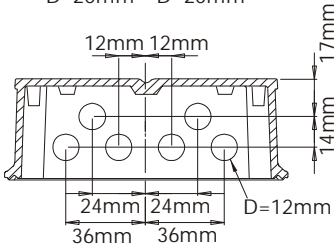
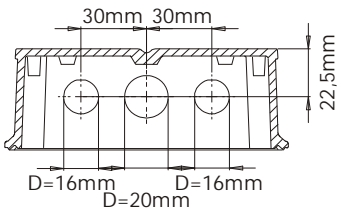


HD
HK



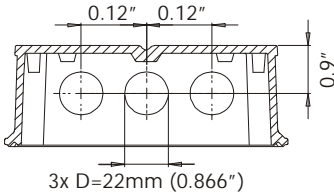
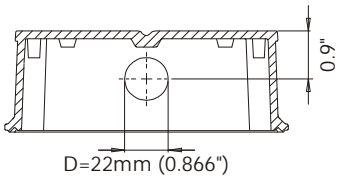
HG

HE



HH

HF



HJ

HC

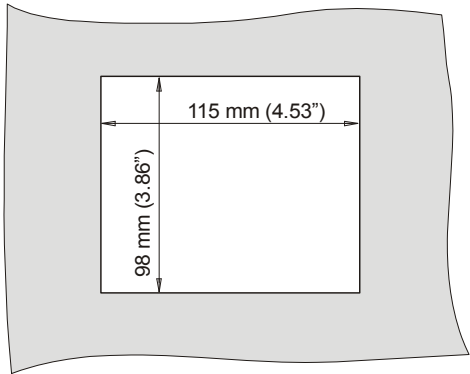
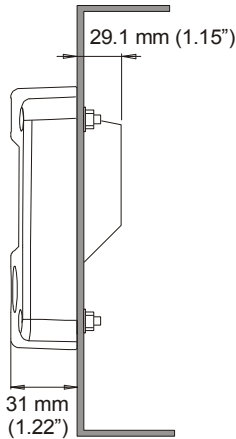


Fig. 6: Dimensions GRP enclosures.

4.4. INSTALLING THE HARDWARE



4.4.1. INTRODUCTION

- Electro static discharge does inflict irreparable damage to electronics! Before installing or opening the unit, the installer has to discharge himself by touching a well-grounded object.
- This unit must be installed in accordance with the EMC guidelines (Electro Magnetic Compatibility).



Aluminum enclosures

- When installed in an aluminum enclosure and a potentially explosive atmosphere requiring apparatus of equipment protection level Ga and Da, the unit must be installed such that, even in the event of rare incidents, an ignition source due to impact or friction sparks between the enclosure and iron/steel is excluded.
- Do ground the aluminum enclosure properly as indicated, if the F110-A has been supplied with the 115-230V AC power-supply type PM. The green / yellow wire between the back-casing and removable terminal-block may never be removed.

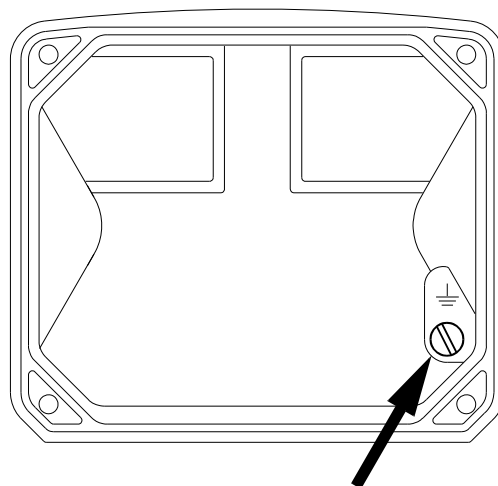


Fig. 7: Grounding aluminum enclosure with type PM 115-230V AC.

FOR INSTALLATION, PAY EMPHATIC ATTENTION TO:

- Separate cable glands with effective IP67 (NEMA4X) seals for all wires.
- Unused cable entries: ensure that you fit IP67 (NEMA4X) plugs to maintain rating.
- A reliable ground connection for both the sensor, and if applicable, for the metal casing.
- An effective screened cable for the input signal, and grounding of its screen to terminal 9 (GND) or at the sensor itself, whichever is appropriate to the application.

4.4.2. VOLTAGE SELECTION SENSOR SUPPLY

For *Intrinsically Safe* applications: read chapter 5.

Type PL

Not applicable as the F110-A-PL is powered by the sensor signal.

Type PB / PC / PX (AP) - battery powered and output loop-powered applications:

Terminal 11 provides a limited supply voltage of 3.2 V DC for the signal output of the flowmeter. This is not suitable to power analog sensors.

Type PD / PF / PM: Sensor supply: 1.2 - 3.2V - 8.2V - 12V or 24 V DC:

With this option, a real power supply for the sensor is available. The flowmeter can be powered with 8.2 - 12 or 24 V DC.

Total power consumption PD: max. 50mA@24V and PF / PM: max. 400mA@24V.

The voltage is selected with the three switches inside the enclosure.



Warning: be sure that all the leads to the terminals are disconnected from the unit when the internal plastic protection cover has been removed !

HIGH VOLTAGE 400V !! NEVER connect the mains power supply to the unit when the plastic protection cover has been removed !!!

First, remove the terminal strip(s) after which the internal plastic cover can be removed. The switches are located in the top left corner (type PD) or on the right hand (type PF / PM) as indicated:

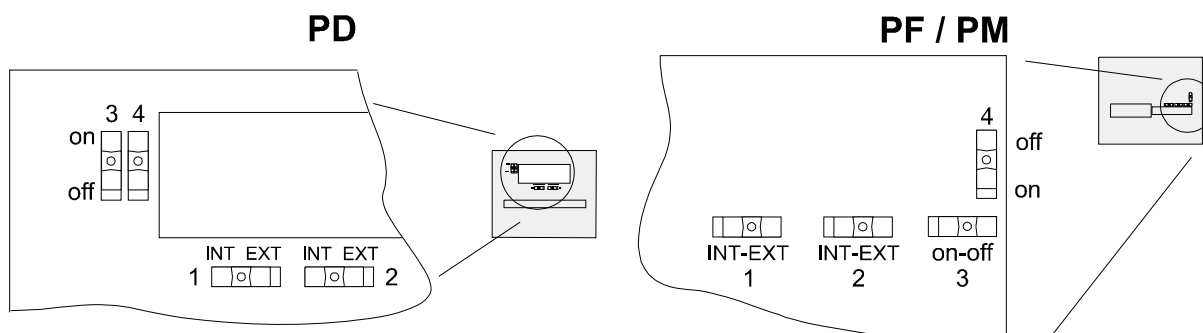


Fig. 8: Switch setting sensor supply voltage.

Switch positions

SENSOR A	
SWITCH 1	VOLTAGE
internal	3.2 V DC
external	switch 3+4

SENSOR B	

VOLTAGE SELECTION		
SWITCH 3	SWITCH 4	VOLTAGE
on	on	8.2 V DC
on	off	12 V DC
off	off	23 V DC

Function switch 1: voltage selection sensor A - terminal 11.

Function switch 2: not available.

Function switch 3+4: the combination of these switches determine the voltage as indicated. Do move switch 1 and / or switch 2 to the OFF position to enable the selected voltage with switch 3+4.

4.4.3. TERMINAL CONNECTORS

For Intrinsically Safe applications: read chapter 5.

The following terminal connectors are available:

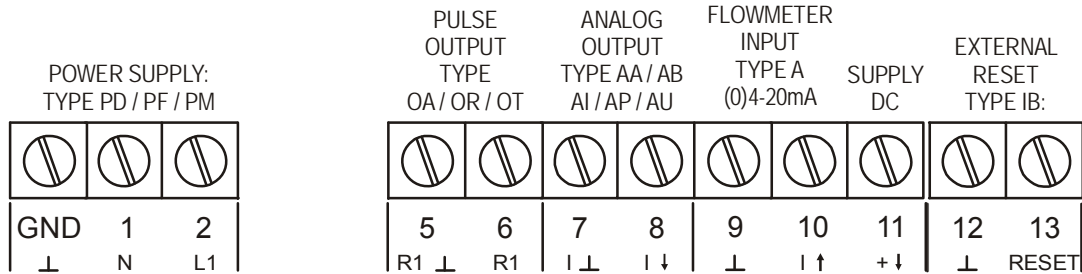


Fig. 9: Overview of terminal connectors standard configuration F110-A and options.

REMARKS: TERMINAL CONNECTORS:

Terminal GND- 01- 02: Power Supply - only available with type PD / PF or PM:

TYPE	SENSOR SUPPLY	Terminal			backlight	TYPE AA	TYPE AU	Type OA	Type OR
		GND	01	02					
PD 8-24V AC	8,2-12-24V max. 50mA		AC	AC	◇	◇	◇	◇	
PD 8-30V DC	8,2-12-24V max. 50mA	L-	L+		◇	◇	◇	◇	
PF 24V AC ± 15%	8,2-12-24V max. 400mA		AC	AC	◇	◇	◇		◇
PF 24V DC ± 15%	8,2-12-24V max. 400mA	L-	L+		◇	◇	◇		◇
PM 115-230V AC ± 15%	8,2-12-24V max. 400mA	EARTH	AC	AC	◇	◇	◇	◇	◇
Note PD	do not use a AC autotransformer (Spartrafo) without a galvanic isolation.								
Note PF / PM	The total consumption of the sensors and outputs may not exceed 400mA@24V								

◇=option



Note !

Note: for power supply type PX: please read Terminal 07-08 !

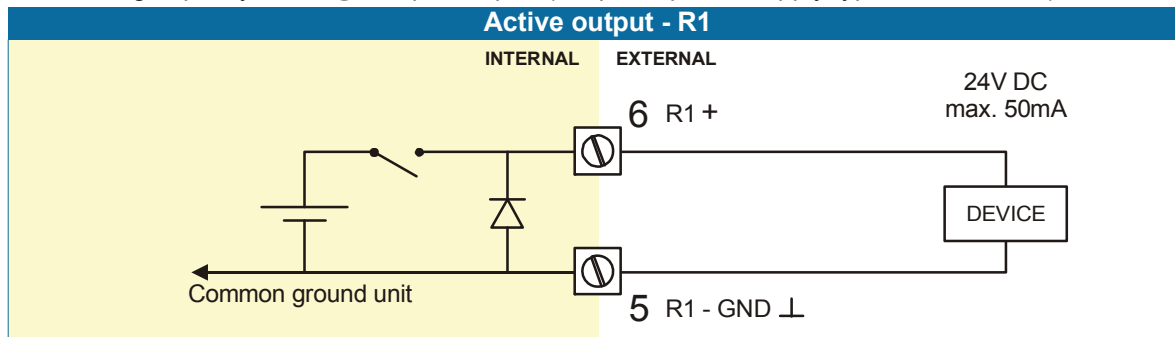
Terminal 05-06; scaled pulse output R1:

Setup 7 (par. 3.4.4.) determines the pulse output function. The maximum pulse frequency of this output is 60Hz. If a relay output option has been supplied, be sure that the output frequency does not exceed 5Hz or else the life-time of the relay will be reduced significantly.

Type OA:

An active 24V DC pulse signal output is available with this option.

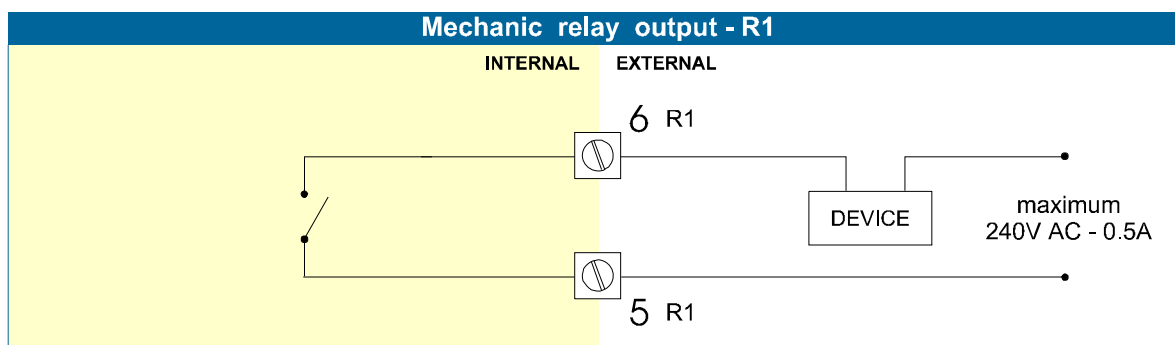
Max. driving capacity 50mA@24V per output. (Requires power supply type PD / PF / PM).

**Type OR:**

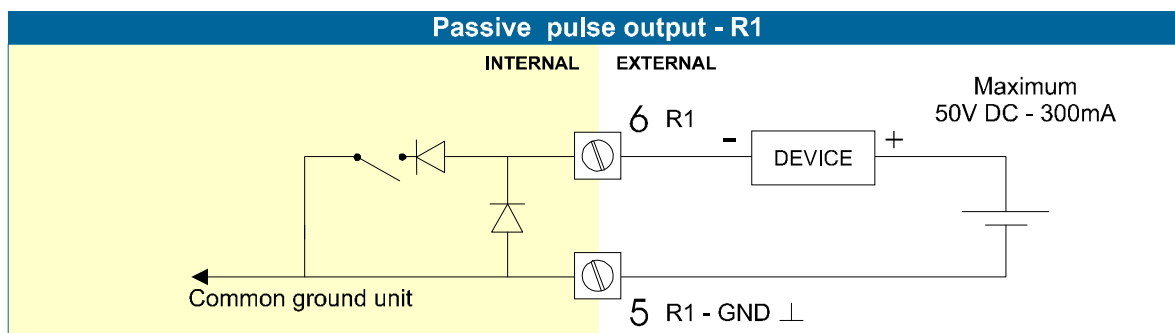
A mechanical relay output is available with this option.

Max. switch power 240V 0,5A per output. (Requires power supply type PF / PM).

Be sure that the output frequency does not exceed 5Hz, else the relay life time will be reduced significantly.

**Type OT:**

A passive transistor output is available with this option. Max. driving capacity 300mA@50V DC.



Terminal 07-08; basic POWER SUPPLY - type PX - output loop powered:

Connect an external power supply of 8-30VDC to these terminals or a 4-20mA loop.

Do connect the "-" to terminal 7 and the "+" to terminal 8. When power is applied to these terminals, the (optional) internal battery will be disabled / enabled automatically to extend the battery life time.



Caution ! *Only valid for standard passive output type AP!*

Terminal 07-08 analog output (SETUP 7) :

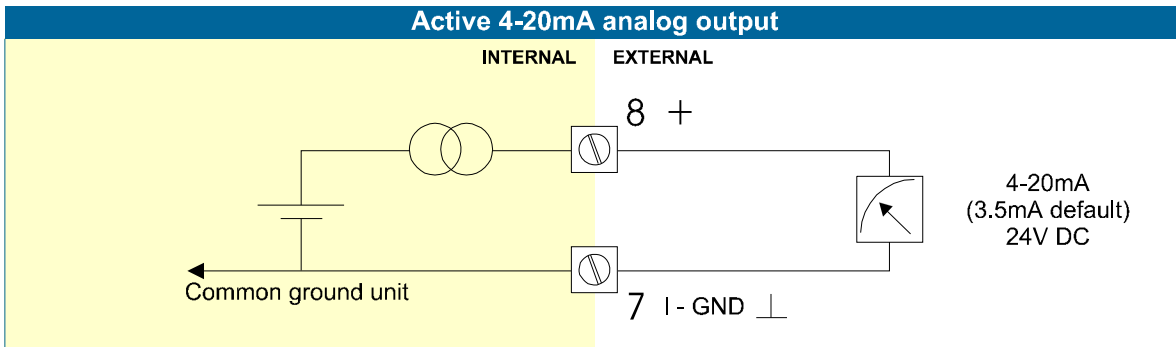
An analog output signal proportional to the flowrate is available as standard.

Type AA:

An active 4-20mA signal proportional to the flowrate is available with this option.

When the output is disabled, a 3.5mA signal will be generated on these terminals.

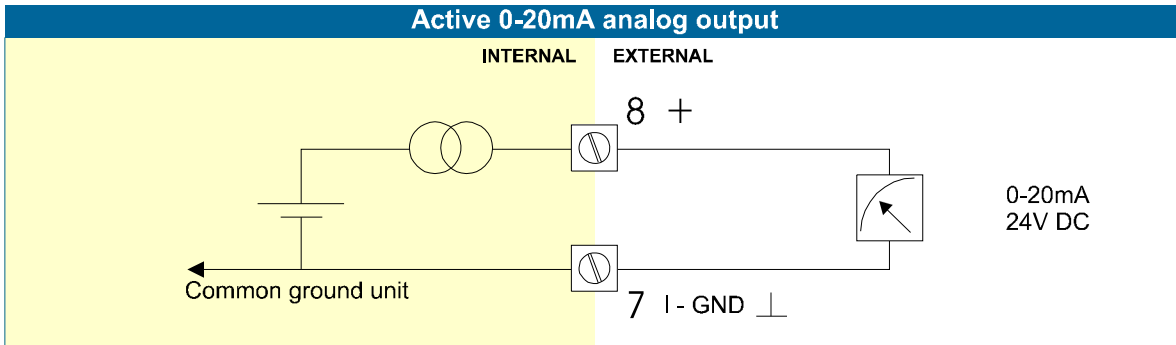
Max. driving capacity 1000 Ohm @ 24VDC. (Requires power supply type PD / PF / PM).



Type AB:

An active 0-20mA signal proportional to the flowrate is available with this option.

Max. driving capacity 1000 Ohm @ 24VDC. (Requires power supply type PD / PF / PM).



Type AF:

For the Intrinsically Safe floating 4-20mA signal: please read Chapter 5.

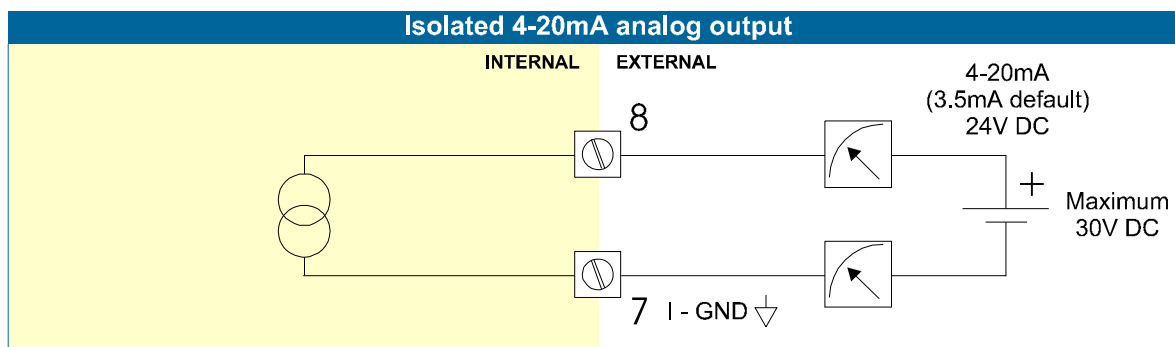
Type AI:

An isolated 4-20mA signal proportional to the flowrate is available with this option.

When the output is disabled, a 3.5mA signal will be generated on these terminals.

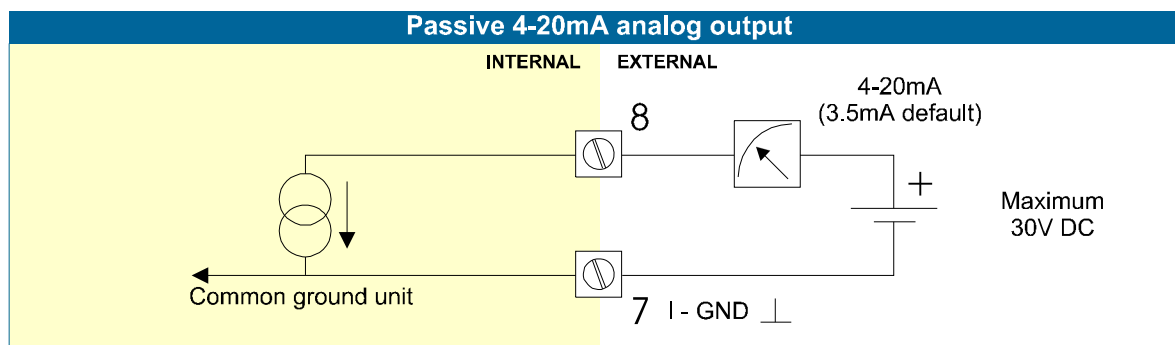
Max. driving capacity 1000 Ohm @ 30VDC.

This option can be used with a battery powered unit but the life time of the battery is about 2 -3 years.

**Type AP:**

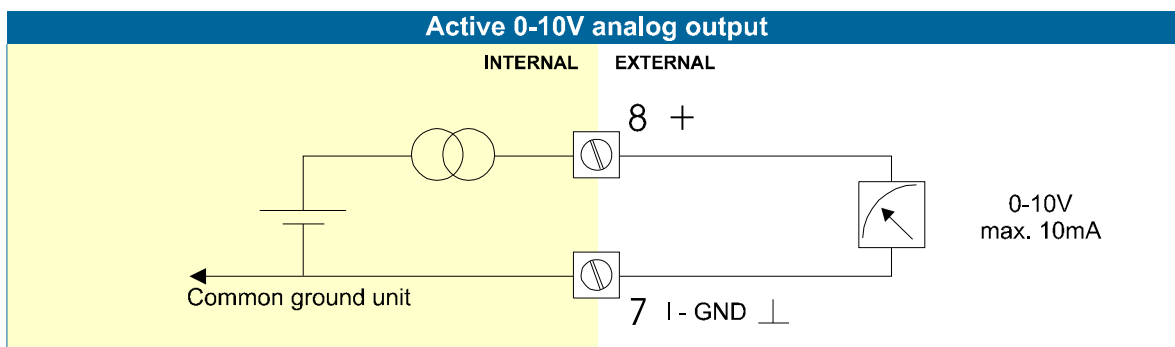
A passive 4-20mA signal proportional to the flowrate is available with this option. When a power supply is connected but the output is disabled, a 3.5mA signal will be generated.

Max. driving capacity 1000 Ohm. This output does loop power the unit as well (type PX).

**Type AU:**

A 0-10VDC signal proportional to the flowrate is available with this option.

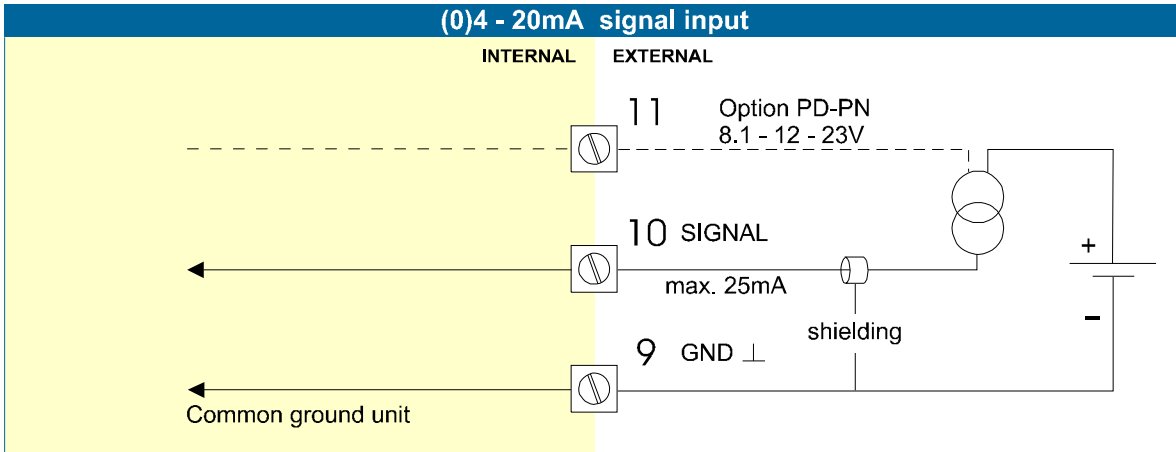
Max. load 10mA @ 10VDC. (Requires power supply type PD / PF / PM).



Terminal 09-11: Type A – Flowmeter input (general)

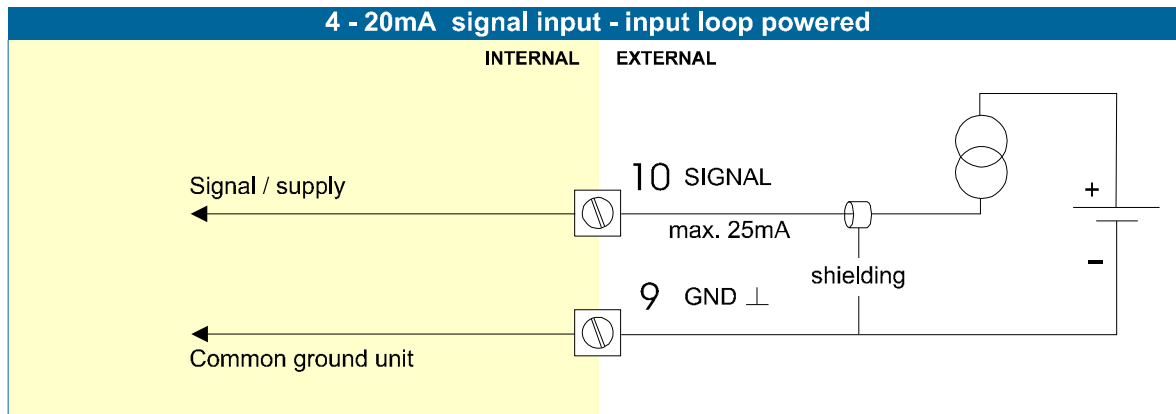
The F110-A requires a (0)4-20mA flowmeter signal which will be processed 4 times a second with a 14 bits accuracy. The input is not isolated.

For intrinsically safe applications (without input loop power): please read chapter 5.



Terminal 09-10: Type A-PL – Flowmeter input / power supply:

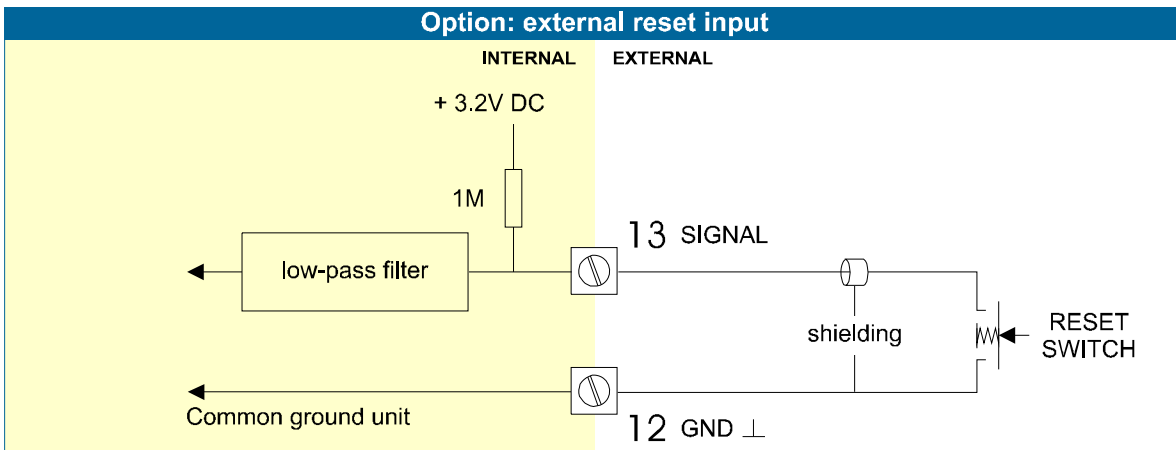
The F110-A-PL requires a 4-20mA flowmeter signal which has a double function: The signal will be processed 4 times a second with a 14 bits accuracy and the unit will be powered from the sensor signal (input loop powered). The input is not isolated and not intrinsically safe.



Terminal 12-13: Type IB – external reset (option):

With this function the total can be reset to zero with an external switch. The Total resets only when the switch opens. When closed Total still counts but the "Clear Total" function is disabled (see chapter 2).

The input must be switched with a potential free contact to the GND-terminal number 12.



Terminal 26-31: type CB / CH / CI / CT - communication RS232 / RS485 / TTL (option)

- Full serial communications and computer control in accordance with RS232 (length of cable max. 15 meters) or RS485 (length of cable max. 1200 meters) is possible.
- Read the Modbus communication protocol and Appendix C.

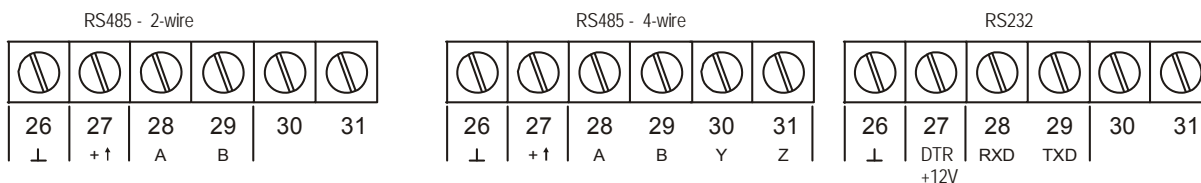


Fig. 10: Overview terminal connectors communication option.

When using the RS232 communication option, terminal 27 is used for supplying the interface. Please connect the DTR (or the RTS) signal of the interface to this terminal and set it active (+12V). If no active signal is available it is possible to connect a separate supply between terminals 26 and 27 with a voltage between 8V and 24V.

Terminal 26-31: backlight - type ZB (option):



Note: if the unit is supplied with a power supply type PD, PF or PM, the backlight supply is integrated, so the text following is not applicable.

To power the backlight, provide a 12-24V DC to terminal 26 (-) and 27 (+). An external trimmer 1kOhm trimmer can be used to tune the brightness of the backlight, or if not desired, a short-cut between these terminals have to be made which will result in the maximum brightness.



Note: Intrinsically Safe as well as 4-wire RS485 communication is not possible in combination with type ZB, except if a PD, PF or PM power supply is being used.

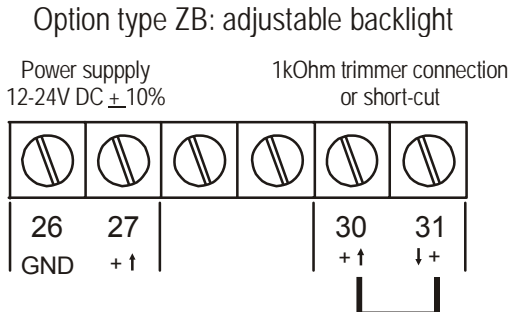


Fig. 11: Overview terminal connectors backlight option.

5. INTRINSICALLY SAFE APPLICATIONS

5.1. GENERAL INFORMATION AND INSTRUCTIONS



Caution !

Cautions

- Mounting, electrical installation, start-up and maintenance of this device may only be carried out by trained personnel authorized by the operator of the facility. Personnel must read and understand this Operating Manual before carrying out its instructions.
- This device may only be operated by personnel who are authorized and trained by the operator of the facility. All instructions in this manual are to be observed.
- Ensure that the measuring system is correctly wired up according to the wiring diagrams. Protection against accidental contact is no longer assured when the housing cover is removed or the cabinet has been opened (danger of electric shock). The housing may only be opened by trained personnel.
- To maintain the degree of protection of at least IP65 in accordance with IEC 60529, certified cable entries in accordance with IEC 61241-0 must be used and correctly installed. Unused openings must be closed with suitable blanking elements.
- When the enclosure of the Indicator is made of aluminum alloy, when used in a potentially explosive atmosphere requiring apparatus of equipment protection level Ga and Da, the unit must be installed such that, even in the event of rare incidents, an ignition source due to impact or friction sparks between the enclosure and iron/steel is excluded.
- Take careful notice of the " Safety rules, instructions and precautionary measures " in the front of this manual.



Safety Instructions

- When two or more active intrinsically safe circuits are connected to the indicator, in order to prevent voltage and/or current addition, applicable to the external circuits, precautions must be taken to separate the intrinsically safe circuits in accordance with IEC 60079-11.
- For the combined connection of the different supply, input and output circuits, the instructions in this manual must be observed.
- From the safety point of view the circuits shall be considered to be connected to earth.
- For installation under ATEX directive: this intrinsically safe device must be installed in accordance with the Atex directive 94/9/EC and the product certificate KEMA 03ATEX1074 X.
- For installation under IECEx scheme: this intrinsically safe device must be installed in accordance the product certificate IECEx DEK 11.0042X.
- Exchange of Intrinsically Safe battery FWLiBAT-0xx with certificate number KEMA 03ATEX1071 U or IECEx KEM 08.0005U is allowed in Hazardous Area. See paragraph 5.4. for detailed battery replacement instructions.



Note !

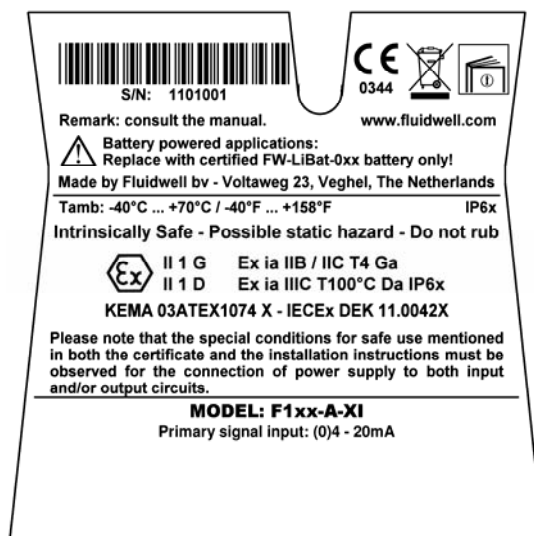
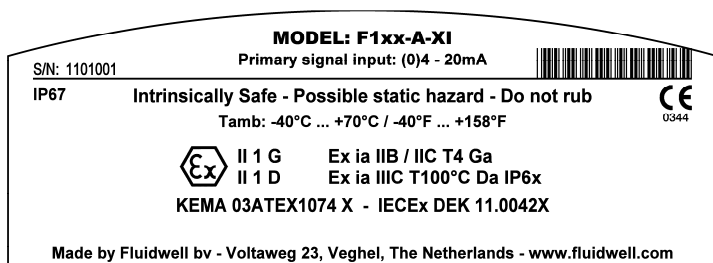
Please Note

- Certificates, safety values and declaration of compliance can be found in the document named: "Fluidwell F1...-XI - Documentation for Intrinsic Safety".
- Special conditions for safe use mentioned in both the certificate and the installation instructions must be observed for the connection of power to both input and / or output circuits.
- When installing this device in hazardous areas, the wiring and installation must comply with the appropriate installation standards for your industry.
- Study the following pages with wiring diagrams per classification.

Label information (inside and outside the enclosure)

Indicated labels on the back cover (below) and on the inside cover (right) show the type labels for intrinsically safe certified units.

For details on usage see the separate “Fluidwell F1...-XI Documentation for Intrinsic Safety”.



Serial number and year of production

This information can be looked-up on the display:
See setup function (par. 3.2.2.) for details.



5.2. TERMINAL CONNECTORS INTRINSICALLY SAFE APPLICATIONS



The unit is classified as group IIB/IIIC by default.

Classification of the unit as group IIC is only possible under the following conditions:

- The indicator is either supplied by
 - the internal supply (option -PC); or
 - the external supply connected to terminals 0 and 1 (option -PD); or
 - the circuit supply connected to terminals 7 and 8 (option -AP);
 The maximum values for any of those circuits are those as defined for group IIB/IIIC;
- No other active external intrinsically safe circuits may be connected to the indicator, with exception of circuits connected to terminals 3 and 4 and/or terminals 5 and 6; the maximum values for any of those circuits are those as defined for group IIB/IIIC

Terminal connectors F110-A-XI:

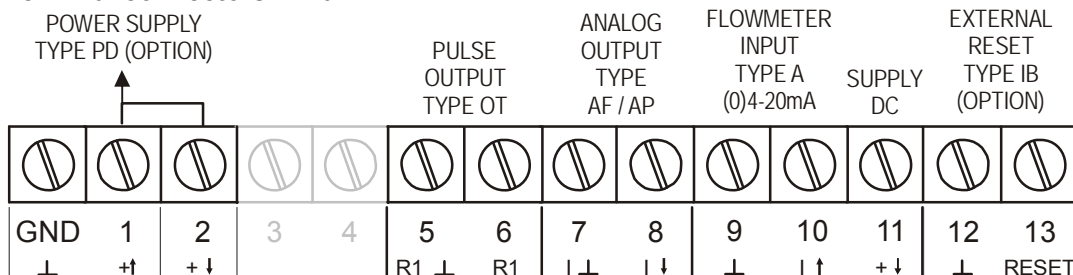


Fig. 12: Overview terminal connectors XI - Intrinsically Safe applications.

Explanation Intrinsically Safe options:

Type AF - Intrinsically Safe floating 4-20mA analog output - Terminal 7-8:

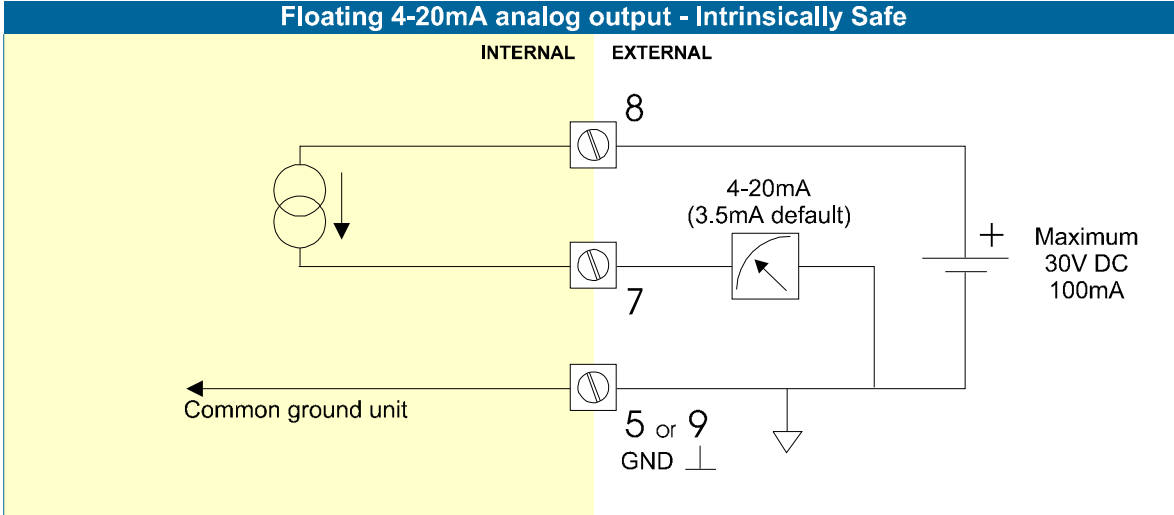
A floating 4-20mA signal proportional to the flowrate is available with this option.

When the output is disabled, a 3.5mA signal will be generated.

Max. driving capacity 1000 Ohm @ 30V DC.



Note! It is required to link the minus from the analog output - terminal 7 - with a ground terminal of the unit; terminal: GND, 3, 5, 9, 12 or 15.



Type PD - Intrinsically Safe power supply and sensor supply - Terminal GND- 01 and 11.

OPTION	SENSOR SUPPLY (TERMINAL 11 AND 14)	Terminal		
		GND	01	02
PD-XI Input voltage: 8-30V DC	= input voltage	L-	L+	output voltage is according the input voltage; internally linked with terminal 01.

Terminal 02 and 11: these terminals offer the same voltage as connected to terminal 01.

5.3. CONFIGURATION EXAMPLES INTRINSICALLY SAFE APPLICATIONS

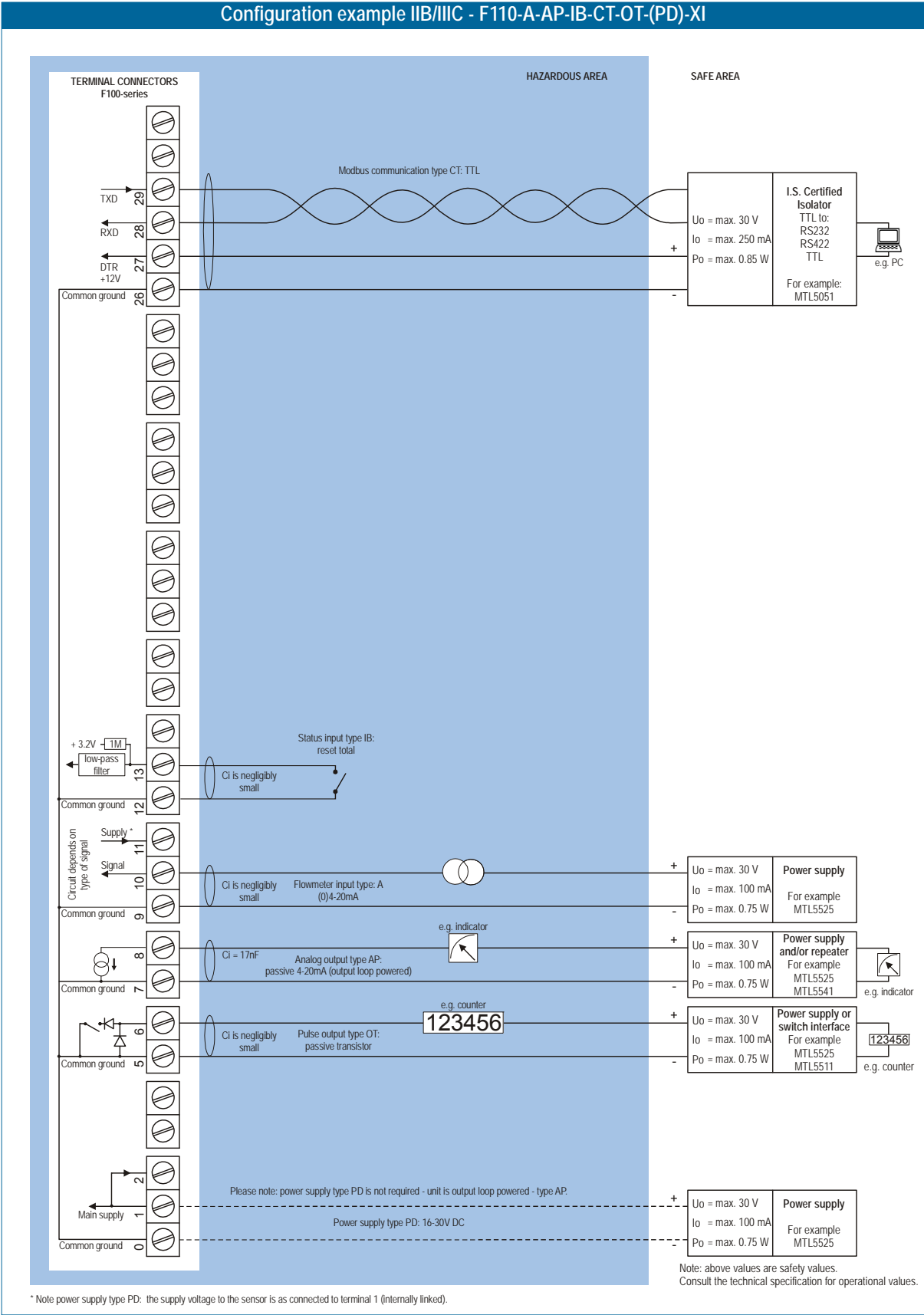


Fig. 13: Configuration example 1 Intrinsically Safe.

Configuration example IIB/IIIC and IIC - F110-A-AP-IB-(CT)-OT-PD-XI

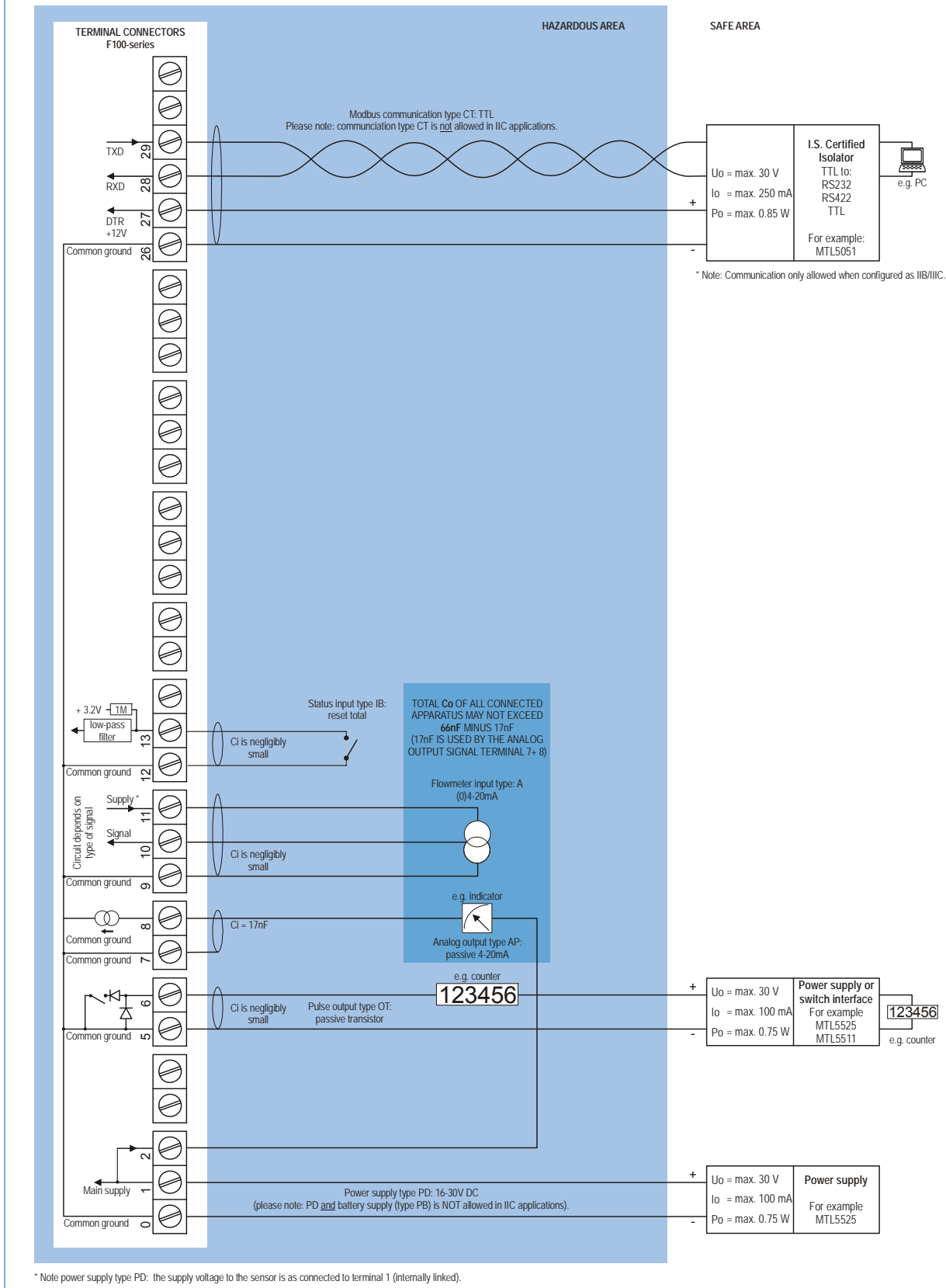


Fig. 14: Configuration example 2 Intrinsically Safe.

5.4 BATTERY REPLACEMENT INSTRUCTIONS



Safety Instructions

- **Fire, explosion or severe burns may result if mistreated.** Do not recharge, crush, disassemble, incinerate, heat above 100°C (212°F) or expose contents to water.
- Mounting, electrical installation, start-up and maintenance of this device may only be carried out by trained personnel authorized by the plant operator. Personnel must read and understand this instruction before carrying out the replacement procedure.
- Always follow the instructions listed in the supplied Battery Replacement Instruction Sheet.
- Batteries pose an environmental hazard. Return used batteries to a recycling point.



Caution !

Safety instructions for hazardous areas

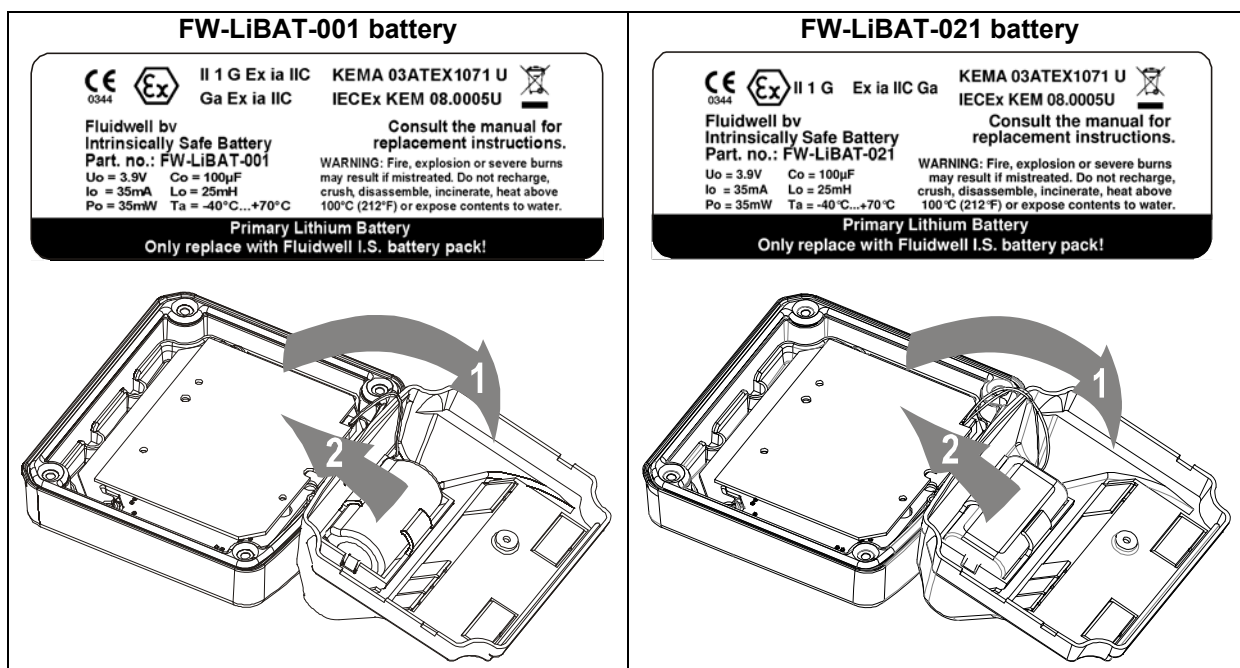
- Verify the correct battery is supplied: **Only batteries with indicated Ex label are certified for replacement and use in hazardous areas.** Batteries for use in safe areas have no Ex label. **DO NOT EXCHANGE:** Using the wrong type of battery can pose a SERIOUS RISK.
- **For use in hazardous areas Fluidwell recommends FW-LiBAT type batteries (manufactured by Fluidwell bv) only.**

Battery replacement procedure



Note !

Depending on the production batch, one of two visualized Intrinsically Safe certified battery types may have been installed in the unit. They are interchangeable.



1. To replace the battery, open the unit to gain access to the back inside cover of the unit
2. Unplug the field connectors from the back inside of the unit.
3. Remove the screw that holds the plastic inside cover.
4. Open the cover and unplug the battery connector.
5. Remove the battery from the inside of the plastic cover. *Do not remove the battery clip!*
6. Install the new battery and re-assemble the unit in reverse order.
7. Start-up the unit

6. MAINTENANCE



Caution !

6.1. GENERAL DIRECTIONS

- Mounting, electrical installation, start-up and maintenance of the instrument may only be carried out by trained personnel authorized by the operator of the facility. Personnel must read and understand this Operating Manual before carrying out its instructions.
- The F110-U may only be operated by personnel who are authorized and trained by the operator of the facility. All instructions in this manual are to be observed.
- Ensure that the measuring system is correctly wired up according to the wiring diagrams. Protection against accidental contact is no longer assured when the housing cover is removed or the panel cabinet has been opened (danger from electrical shock). The housing may only be opened by trained personnel.
- Take careful notice of the " Safety rules, instructions and precautionary measures " in the front of this manual.

The F110-A does not require special maintenance unless it is used in low-temperature applications or surroundings with high humidity (above 90% annual mean). It is the users responsibility to take all precautions to dehumidify the internal atmosphere of the F110-A in such a way that no condensation will occur, for example by placing dry silica-gel sachet in the casing just before closing it. Furthermore, it is required to replace or dry the silica gel periodically as advised by the silica gel supplier.

Check periodically:

- The condition of the casing, cable glands and front panel.
- The input/output wiring for reliability and aging symptoms.
- The process accuracy. As a result of wear and tear, re-calibration of the flowmeter might be necessary. Do not forget to re-enter any subsequent Span alterations.
- The indication for low-battery.
- Clean the casing with soapy-water. Do not use any aggressive solvents as these might damage the polyester coating.

6.2. REPAIR

This product cannot be repaired by the user and must be replaced with an equivalent certified product. Repairs should only be carried out by the manufacturer or his authorized agent.

6.3 BATTERY LIFE-TIME

It is influenced by several issues :

- Analog output signal; be sure that an external power supply is connected or that the function is disabled if not in use; or else it will have a major influence on the battery life-time (SETUP 61).
- Display update: fast display update uses significantly more power; SETUP 41.
- Pulse output and communications .
- Low temperatures; the available power will be less due to battery chemistry.



Note !

Note: *It is strongly advised to disable unused functions.*

APPENDIX A: TECHNICAL SPECIFICATION

GENERAL

Display	
Type	High intensity reflective numeric and alphanumeric LCD, UV-resistant.
Digits	Seven 17mm (0.67") and eleven 8mm (0.31"). Various symbols and measuring units.
Refresh rate	User definable: 8 times/sec - 30 secs.
Type ZB	Transflective LCD with green LED backlight. Good readings in full sunlight and darkness. Note: only available for safe area applications. Power requirements: 12-24V DC + 10% or type PD, PF, PM. Power consumption max. 1 Watt.

Enclosures	
General	Die-cast aluminum or GRP (Glassfibre Reinforced Polyamide) enclosure with Polycarbonate window, silicone and EPDM gaskets. UV stabilized and flame retardant material.
Control Keys	Three industrial micro-switch keys. UV-stabilized silicone keypad.
Painting	Aluminum enclosure only: UV-resistant 2-component industrial painting.
Panel-mount enclosures	Dimensions: 130 x 120 x 60mm (5.10" x 4.72" x 2.38") – LxHxD.
Classification	IP65 / NEMA4X
Panel cut-out	115 x 98mm (4.53" x 3.86") LxH.
Type HC	GRP panel-mount enclosure
Type HB	Aluminum panel-mount enclosure
Field/wall-mount enclosures	Dimensions: 130 x 120 x 75mm (5.10" x 4.72" x 2.95") – LxHxD.
Classification	IP67 / NEMA4X
Aluminum enclosures	
Type HA	Drilling: 2x PG9 – 1x M20.
Type HM	Drilling: 2x M16 – 1x M20.
Type HN	Drilling: 1x M20.
Type HO	Drilling: 2x M20.
Type HP	Drilling: 6x M12.
Type HT	Drilling: 1x ½"NPT.
Type HU	Drilling: 3x ½"NPT.
Type HZ	No drilling.
GRP enclosures	
Type HD	No drilling.
Type HE	Drilling: 2x 16mm (0.63") – 1x 20mm (0.78").
Type HF	Drilling: 1x 22mm (0.87").
Type HG	Drilling: 2x 20mm (0.78").
Type HH	Drilling: 6x 12mm (0.47").
Option ZS	Silicone free ABS enclosure with EPDM and PE gaskets. UV-resistant polyester keypad. Note: this option comes with type HD only.


Operating temperature	
Operational	-40°C to +80°C (-40°F to +176°F)
Intrinsically Safe	-40°C to +70°C (-40°F to +158°F)

Power supply	
Type PB	Lithium battery - life-time depends upon settings - up to 5 years.
Type PC	Intrinsically Safe lithium battery - life-time depends upon settings - up to 5 years.
Type PD	8-24V AC / DC ± 10%. Power consumption max. 10 Watt. Intrinsically safe: 16-30V DC; power consumption max. 0.75 Watt.
Type PF	24V AC / DC + 10%. Power consumption max. 15 Watt.
Type PL	Input loop powered from sensor signal 4-20mA (type A, non IS).
Type PM	115-230V AC + 10%. Power consumption max. 15 Watt.
Type PX	Output loop powered: 8-30V DC. Power consumption max. 0.5 Watt.
Note PF / PM	The total consumption of the sensors, backlight and outputs may not exceed 400mA@24V.
Note I.S. applications	For intrinsically safe applications, consult the safety values in the certificate.

Sensor excitation	
Type PB / PC / PX	3.2V DC for pulse signals and 1.2V DC for coil pick-up. Note: This is not a real sensor supply. Only suitable for pulse sensors with a very low power consumption like coils (sine wave) and reed-switches.
Type PD	1.2 - 3.2 - 8.2 - 12 and 24V DC - max. 50mA@24V DC
Type PD-XI	Intrinsically safe: Pulse signals: 1.2 - 3.2 - 8.2 - max. 7mA@8.2V DC. Analog signals: the sensor supply voltage is according to the power supply voltage connected to terminal 1. Also terminal 2 offers the same voltage.
Type PF / PM	1.2 - 3.2 - 8.2 - 12 and 24V DC - max. 400mA@24V DC.

Terminal connections	
Type:	Removable plug-in terminal strip. Wire max. 1.5mm ² and 2.5mm ² (Type PM / PF)

Data protection	
Type	EEPROM backup of all setting. Backup of running totals every minute. Data retention at least 10 years.
Pass code	Configuration settings can be pass code protected.

Hazardous area (option)	
Intrinsically safe Type XI	ATEX approval:  II 1 G Ex ia IIB/IIC T4 Ga II 1 D Ex ia IIIC T100°C Da IP6x IECEx approval: Ex ia IIB/IIC T4 Ga Ex ia IIIC T100°C Da IP6x
Explosion proof Type XD/XF	ATEX approval ref.: <EX> II 2 GD EEx d IIB T5. Weight appr. 15kg. Dimensions of enclosure: 350 x 250 x 200mm (13.7" x 9.9" x 7.9") LxHxD.

Environment	
Electromagnetic compatibility	Compliant ref: EN 61326 (1997), EN 61010-1 (1993).

INPUTS

Flowmeter	
Type P	Coil/sine wave (minimum 20mVp-p or 80mVp-p - sensitivity selectable), NPN/PNP, open collector, reed-switch, Namur, active pulse signals 8 - 12 and 24V.
Frequency	Minimum 0 Hz - maximum 7 kHz for total and flowrate. Maximum frequency depends on signal type and internal low-pass filter. E.g. Reed switch with low-pass filter: max. frequency 120 Hz.
K-Factor	0.000010 - 9,999,999 with variable decimal position.
Low-pass filter	Available for all pulse signals.
Type A	(0)4-20mA - with signal calibration feature at any current within the range.
Type U	0-10 V - with signal calibration feature at any voltage within the range.
Accuracy	Resolution: 14 bit.. Error < 0.025mA / ±0.125% FS. Low level cut-off programmable.
Span	0.000010 - 9,999,999 with variable decimal position.
Update time	Four times a second.
Voltage drop	2.5 Volt.
Load impedance	3kOhm
Relationship	Linear and square root calculation.
Note	For signal type A and U: external power to sensor is required; e.g. Type PD.

Reset (option)	
Type IB	Make contact - external reset totalizer. Additional functionality to lock the RESET button of the keyboard (as long as this contact is being made).
Duration	Minimum 100mSec. to reset Total.

OUTPUTS

Analog output	
Function	transmitting flowrate.
Accuracy	10 bit. Error < 0.05% - update 10 times a second. Software function to calibrate the 4.00mA and 20.00mA levels precisely within set-up.
Load	max. 1 kOhm
Type AA	Active 4-20mA output (requires type OA + PD, PF or PM).
Type AB	Active 0-20mA output (requires type OA + PD, PF or PM).
Type AF	Passive floating 4-20mA output for Intrinsically Safe applications (requires PC or PD).
Type AI	Passive galvanically isolated output (requires PB, PD, PF, PL or PM).
Type AP	Passive 4-20mA output - output loop powered (type PX).
Type AU	Active 0-10V output (requires type OA + PD, PF or PM).

Transistor output(s)	
Pulse output	Max. frequency 60Hz. Pulse length user definable between 7,8msec up to 2 seconds.
Function	One pulse output - transmitting accumulated total.
Type OA	Active 24V DC transistor output; max. 50mA per output (requires type AA + PD, PF or PM).
Type OR	Isolated mechanic relay output; max. switch power 230V AC - 0,5A (requires type PF or PM).
Type OT	Passive transistor output - not isolated. Load max. 50V DC - 300mA.

Communication option	
Functions	reading display information, reading / writing all settings.
Protocol	Modbus ASCII or RTU
Speed	1200 - 2400 - 4800 - 9600 baud
Addressing	maximum 255 addresses.
Type CB	RS232
Type CH	RS485 2-wire
Type CI	RS485 4-wire
Type CT	TTL Intrinsically Safe communication.
Type CX	no communication.

OPERATIONAL

Operator functions	
Displayed functions	<ul style="list-style-type: none"> total and/or flowrate. total and accumulated total. total can be reset to zero by pressing the CLEAR-key twice.

Total	
Digits	7 digits.
Units	L, m3, GAL, USGAL, KG, lb, bbl, no unit.
Decimals	0 - 1 - 2 or 3.
Note	total can be reset to zero.

Accumulated total	
Digits	11 digits.
Units / decimals	according to selection for total.

Flowrate	
Digits	7 digits.
Units	mL, L, m3, Gallons, KG, Ton, lb, bl, cf, RND, ft3, scf, Nm3, NI, ical - no units.
Decimals	0 - 1 - 2 or 3.
Time units	/sec - /min - /hr - /day.

APPENDIX B: PROBLEM SOLVING

In this appendix, several problems are included that can occur when the F110-A is going to be installed or while it is in operation.

Analog output does not function properly:

Check:

- SETUP 61 - is the function enabled?
- SETUP 62 / 63: are the flow-levels programmed correctly?
- connection of the external power-supply according to the specification.

Analog output does not function properly:

Check:

- SETUP 61 - is the function enabled?
- SETUP 62 / 63: are the flow-levels programmed correctly?
- connection of the external power-supply according to the specification.

Pulse output does not function:

Check:

- SETUP 71 - pulse per "x" quantity; is the value programmed reasonable and will the maximum output be under 20Hz?
- SETUP 72 - impulse width; is the external device able to recognize the selected pulse width and frequency?

Flowrate displays "0 / zero" while there is flow (total is counting):

Check:

- SETUP 22 / 25: are the Span and time unit correct?

The pass code is unknown:

If the pass code is not 1234, there is only one possibility left: call your supplier.

ALARM

When the alarm flag starts to blink an internal alarm condition has occurred. Press the "select button" several times to display the 5-digit error code. The codes are:

- 0001: irrecoverable display-data error: data on the display might be corrupted.
- 0002: irrecoverable data-storage error: the programming cycle might have gone wrong: check programmed values.
- 0003: error 1 and error 2 occurred simultaneously

If the alarm occurs more often or stays active for a longer time, please contact your supplier.

APPENDIX C: COMMUNICATION VARIABLES

Remarks:

- Below, an overview of the F110-A specific variables; other common variables are described in the standard table.
- All numbers are decimal numbers, unless otherwise noted.
- The following variables of the standard table (var00-var30) are not valid for this product and will be responded with value 1: var00, 03-05, 07,08, 16-22, 24, 26-29.

CONFIGURATION VARIABLES F110-A - SETUP-LEVEL:				
VAR	DESCRIPTION	BYTES	VALUE	REMARKS
TOTAL				
32 (20h)	unit	1	0=L 1=m3 2=kg 3=lb 4=gal 5=usgal 6=bbl 7=none	
33 (21h)	decimals	1	0...3	
34 (22h)	span	3	1....9.999.999	S 0000001 up to S 0000009 is allowed when decs < 6! (VAR37)
37 (25h)	decimals Span	1	0...6	
FLOWRATE				
48 (30h)	unit	1	0=mL 1=L 2=m3 3=mg 4=g 5=kg 6=ton 7=gal 8=bbl 9=lb 10=cf 11=rev (revolutions for RPM) 12=none	
49 (31h)	time unit	1	0=sec 1=min 2=hour 3=day	
50 (32h)	decimals	1	0...1	
51 (33h)	span	3	1....9.999.999	S 0000001 up to S 0000009 is allowed when decs < 6! (VAR54)
54 (36h)	decimals span	1	0...6	

VAR	DESCRIPTION	BYTES	VALUE	REMARKS
DISPLAY				
64 (40h)	display function	1	0=total 1=flowrate	
68 (44h)	set flowrate monitor	1	0=operator level 1=SETUP level	
POWERMANAGEMENT				
80 (50h)	LCD update time	1	0=fast 1=1sec 2=3sec 3=15sec 4=30sec 5=off	
81 (51h)	power-mode battery	1	0=operational 1=shelf	
FLOWMETER				
98 (62h)	formula	1	0=linear 1=square root	
99 (63h)	filter	1	0....99	
100 (64h)	cut-off	2	0....999	steps of 0.1%
102 (66h)	calibration low (4mA)	1	0=default 1=calibrate 2=cal set	
103 (67h)	calibration high (20mA)	1	0=default 1=calibrate 2=cal set	
ANALOG OUTPUT				
112 (70h)	analog output	1	0=disable 1=enable	
113 (71h)	minimum rate	3	0..9999999	unit, time, decimals acc. var48-50
116 (74h)	maximum rate	3	0..9999999	unit, time, decimals acc. var48-50
119 (77h)	cut off percentage	1	0..99	steps of 0.1%
120 (78h)	tune minimum rate	2	0..9999	
122 (7Ah)	tune maximum rate	2	0..9999	
99 (63h)	filter	1	0....99	
PULSE OUTPUT				
128 (80h)	impulse width	1	0=off 1=short 2=long	
129 (81h)	pulse per X quantity	3	1..9999999	unit, decimals acc. var32 -33
OTHERS				
168 (A8h)	pass code	2	xxxx	read only!
170 AAh	tagnumber	3	0..9999999	Other vars: see standard table

OTHER F110-A VARIABLES FOR COMMUNICATION**TOTAL** - variable number 566 (236h) – 6 bytes

Read total: The value of total read using RS communications might differ from the value that appears on the display. This is due to the fact that the display can only display up to seven digits (for example when two decimals are selected for total and total has a value of 123456,78 the display will show 23456,78 while communication will read a “total” of 12345678 and a “total decimals” of 2).

Write total: total can only be cleared. This means writing a value different from 0 will result in the reply of an error message. Only writing 6 bytes of zero’s to total will be accepted.

ACCUMULATED TOTAL - variable number 560 (230h) – 6 bytes

Read acc. total: A difference between the read value and the display value, as explained for “Read total”, might appear here too.

Write acc. total: Not possible.

When reading or writing total or accumulated total it should be noted that the used values are given including the decimals. This means that a read/write to one of these variables should be accompanied with a read/write to the variable that holds the number of decimals for this variable:

Example: read var. 566 for total:

Read var. 33 for total decimals and calculate the real value of total by multiplying total with $10^{-(total\ decimals)}$

FLOWRATE - variable number 572 (23Ch) – 4 bytes

Read flowrate: The value difference as mentioned with total/acc. total might appear here too.

Write flowrate: Not possible.

INDEX OF THIS MANUAL

accumulated Total	8	Span	14
actual settings	48	time unit	14
alarm	8	Flowrate	8
analog		Installation	21
cut-off value	18	Intrinsic safety	32
disable/enable	18	Intrinsically Safe options	34
filter	19	IP classification	21
floating output.	34	keys	7
flowrate max.	18	low-battery	8
flowrate min.	18	main-function	10
intrinsically safe output.	34	maintenance	38
<i>output loop powered.</i>	28	model	20
tune / calibrate	18	Operator level	8
Analog output	28	pass code	20, 42
Backlight	31	power supply	26, 28
battery life time	15, 38	power supply intrinsically safe	34
Clear Total	8	Problem solving	42
communication	31	pulse output	
family-specific variables	43	pulse length / period time	19
Communication		pulse per quantity	19
address	20	Pulse output	27
baudrate	20	serial number	20
mode	20	SETUP-level	9
Configuration	9	shelf mode	15
Dimension enclosures	22, 23	subfunction	10
display		tagnumber	20
function	15	Technical specification	39
display update	15	terminal connectors	26
external reset option	30	total	
flowmeter	16	decimals	13
Flowmeter input	30	decimals Span	13
flowrate		measuring unit	13
decimals	14	Span	13
decimals Span	14	Total	8
measuring unit	14	version software	20

LIST OF FIGURES IN THIS MANUAL

Fig. 1: Typical application for the F110-A.....	5
Fig. 2: Control Panel.....	7
Fig. 3: Example of display information during process.....	8
Fig. 4: Example of low-battery alarm.....	8
Fig. 5: Dimensions aluminum enclosures.....	22
Fig. 6: Dimensions GRP enclosures.....	23
Fig. 7: Grounding aluminum enclosure with type PM 115-230V AC.....	24
Fig. 8: Switch setting sensor supply voltage.....	25
Fig. 9: Overview of terminal connectors standard configuration F110-A and options.....	26
Fig. 10: Overview terminal connectors communication option.....	31
Fig. 11: Overview terminal connectors backlight option.....	31
Fig. 12: Overview terminal connectors XI - Intrinsically Safe applications.....	33
Fig. 13: Configuration example 1 Intrinsically Safe.....	35
Fig. 14: Configuration example 2 Intrinsically Safe.....	36

NOTES

SETTING	DEFAULT	DATE :	DATE :
1 - TOTAL	Enter your settings here		
11 unit	L		
12 decimals	0000000		
13 span	000001 /sec	/sec	/sec
14 decimals span	0		
2 - FLOWRATE			
21 unit	L		
22 time unit	/min		
23 decimals	0000000		
24 span	000001 /min		
25 decimals span	0		
3 - DISPLAY			
31 function	total		
4 - POWER MANAGEMENT			
41 LCD-new	1 sec.		
42 mode	operational		
5 - FLOWMETER			
51 formula	interpolation		
52 filter	01 (off)		
53 cut-off %	00.0%		
54 calibrat. low-(0)4mA	default		
55 calibrat. high-20mA	default		
6 - ANALOG OUTPUT			
61 output	disabled		
62 min. flowrate 4-mA	0000000		
63 max. flowrate 20mA	9999999		
64 cut off percentage	0.0%		
65 tune min - 4mA	0208		
66 tune max - 20mA	6656		
67 filter	01 (off)		
7 - PULSE OUTPUT			
71 impulse width	000 periods		
72 pulse per	0001000		
8 - COMMUNICATION			
81 baud-rate	2400		
82 address	1		
83 mode	BUS-ASC		
9 - OTHERS			
91 model	F110-A	F110-A	F110-A
92 software version			
93 serial number			
94 pass code	0000		
95 tagnumber	0000000		

