

**PH10 DolpHin[®] Series pH Sensors
and
ORP10 DolpHin Series ORP Sensors**

Installation, Troubleshooting, Maintenance, and Parts List

Contents

Figures	7
Tables	9
1. Introduction	11
Dangers, Warnings, and Cautions	11
Reference Documents	12
Theory of Operation	13
pH Measurement	13
ORP Measurement	13
Standard Specifications	14
Automatic Temperature Compensation (ATC)	14
Storage Temperature Limits	14
Process Pressure Limits	14
Process Temperature Limits	14
Materials	15
Cable Length (Analog Version with Integral Cable)	15
Cable Diameter	15
Cable Termination	16
Variopin and Smart Connector Protection Class	16
Sensor Mounting	16
Electromagnetic Compatibility (EMC)	16
Electrical Safety Specifications	16
Sensor Identification	18
2. Installation	21
Removing the Sensor Protection Cap	21
General Installation Guidelines	21
Insertion Installation Using Sensor Threads	22
Submersion/Immersion Installations	23
Insertion Installation Using a Bushing	25
Insertion Installation Using the Universal Bushing Assembly	27
Flow-Through Installation Using a Tee	29
Installation in a Flow Chamber	31
Flow Chamber Installation with 3/4 NPT Sensor Connection	32
Flow Chamber Installation with the Universal Mounting Assembly	33

Installation in a BVA Series Ball Valve Insertion Assembly	34
Initial Installation	36
Connecting the Ball Valve/Retraction Chamber to the Process	36
Securing the Sensor in the Insertion Tube	37
Positioning the Sensor in the Process	37
Removing the Sensor	39
Replacing the O-Ring Seals and Split Washer in the Ferrule Seat	40
Wiring	40
Cable Variations	40
Cable Length	41
Connections to Analyzer or Transmitter	42
Variopin Connectors	44
Smart Connectors	44
3. PH10-*S Sensor Device Type Manager (DTM)	45
Using the PH10-*S Sensor DTM	45
Installation Instructions	45
Downloading and Installing the Foxboro Smart Sensor PC Interface Driver	46
Downloading and Installing the Foxboro PH10 Smart PH Sensor and the Foxboro Smart Sensor Interface Communications DTMs	46
Adding the DTMs to PACTware	46
Configuring Both DTMs for PACTware	47
Recommended Method to Disconnect/Switch Sensors	52
Using the DTM	53
Sensor Overview	53
Process Variables	54
Sensor Configuration	54
General	55
Measurement	56
Temperature	57
Temperature Compensation	60
Diagnostic Configuration	63
Passcode Access	64
Calibration	65
Parameters	65
Calibrate	67
Faults	73
Sensor History Log	74
Sensor Status	76
Configuration Report	77
Reference	78
Activity Log	79

Scratch Pad	80
Trending	81
4. Troubleshooting	83
Troubleshooting for Analog and Smart Sensors	83
5. Maintenance	87
Calibration	87
Temperature Calibration	87
Electrode Inspection	87
Electrode Cleaning	87
Cleaning a Glass Electrode	87
Cleaning an Antimony Electrode	88
Cleaning an ORP Electrode	88
Cleaning a Reference Junction	88
Storing a Sensor	89
6. Parts List	91
MODEL CODE – PH SENSOR	92
MODEL CODE – ORP SENSOR	93
MODEL CODE – BVA SERIES BALL VALVE INSERTION ASSEMBLY	94
SENSOR ASSEMBLIES	95
ACCESSORY – UNIVERSAL BUSHING ASSEMBLY	97
ACCESSORY – 3/4 NPT BUSHINGS	98
ACCESSORY – 1 NPT BUSHINGS	99
ACCESSORY – TEES	100
ACCESSORY – TEE KITS	101
ACCESSORY – UNIVERSAL TRI-CLAMP CONNECTION ASSEMBLY	103
ACCESSORY – FLANGED CONNECTION ASSEMBLY	104
ACCESSORY – UNIVERSAL FLANGED CONNECTION ASSEMBLY	105
ACCESSORY – FLOW CHAMBER	106
ACCESSORY – FLOW CHAMBER - UNIVERSAL	107
ACCESSORY – INSERTION TUBE ASSEMBLY (LEGACY)	108
ACCESSORY – BALL VALVE ASSEMBLY (LEGACY)	110
ACCESSORY – BVA SERIES BALL VALVE INSERTION ASSEMBLY	112
ACCESSORY – EXTENSION CABLES, PATCH CORDS, AND PC INTERFACE CABLE	114
ACCESSORY – RAW CABLE - UNTERMINATED - FOR ANALOG SENSORS ONLY	115
ACCESSORY – JUNCTION BOX ASSEMBLY	116
ACCESSORY – REMOTE PREAMPLIFIER JUNCTION BOX ASSEMBLY	117

ACCESSORY – JUNCTION BOX ASSEMBLY FOR ANALOG SENSORS WITH PREAMPLIFIER	118
ACCESSORY – BUFFER SOLUTION AND SALT PACKET	119
RECOMMENDED SPARE PARTS SUMMARY	120

Figures

1	Variopin Connector and Smart Sensor Labels	19
2	Side of Tank/Vessel Mounting	22
3	Pipe Mounting	23
4	Submersion/Immersion Mounting for Sensor with Integral Cable	23
5	Submersion/Immersion Mounting with Variopin or Smart Quick Connector	24
6	Sealing with Variopin or Smart Quick Connector	24
7	3/4 NPT Bushings	25
8	Bushing Installation	26
9	Sensor and Universal Bushing Assembly with Additional Bushing to Process Connection ..	28
10	1 NPT Bushings	28
11	Tee and Tee Application	30
12	Flow Chamber with 3/4 NPT Sensor Connection	31
13	Flow Chamber With the Universal Sensor Mounting Assembly	33
14	BVA Series Ball Valve Insertion Assembly	34
15	Ball Valve and Retraction Chamber	34
16	Insertion Tube Assembly	34
17	Connecting the Ball Valve and Retraction Chamber to the Process	36
18	Securing the Sensor in the Insertion Tube	37
19	Positioning the Sensor in the Process	38
20	Removing the Insertion Tube from the Ball Valve and Retraction Chamber	39
21	Replacing the O-Ring Seals and Split Washer in the Ferrule Seat	40
22	Typical Cable Extension Configurations	41
23	Typical Patch Cord Configurations	41
24	View > Device Catalog	46
25	Update Device Catalog	47
26	Foxboro Smart Sensor PC Interface Cable	47
27	COM Port	48
28	HOST PC > Add Device	49
29	Select Foxboro Link and Select OK	49
30	Select Parameter	50
31	Select the Correct COM Port	51
32	Right Click on the Foxboro PH10 Smart PH Sensor DTM and Select Connect	51
33	Right Click on Device and Select Load From Device	52
34	Select Foxboro PH10 Smart pH Sensor and Select Disconnect	52
35	Sensor Overview	53
36	Process Variables	54
37	General Screen	55
38	Measurement Screen	56
39	Temperature Screen	57
40	Temperature Screen - Manual Temperature	58
41	Temperature Screen - Degrees Fahrenheit	59
42	Temperature Compensation Screen - Standard	60
43	Temperature Compensation Screen - Ammonia	61

44	Temperature Compensation Screen - Custom	62
45	Diagnostic Configuration Screen	63
46	Passcode Access Screen	64
47	Calibration Parameters Screen	65
48	Calibration Parameters - Buffers	66
49	Calibration Setup	67
50	Calibration - Step 1	68
51	Calibration - Step 2	68
52	Calibration - Step 3	69
53	Calibration - Step 4	69
54	Calibration - Step 5	70
55	Calibration - Step 6	70
56	Calibration - Step 7	71
57	Calibration Complete	72
58	Faults	73
59	Sensor History Log	74
60	Export the Sensor History Log to .csv File	75
61	Sensor Status Screen	76
62	Full Configuration Report	77
63	Reference Screen	78
64	Activity Log	79
65	Scratch Pad	80
66	Trending Screen	81
67	Export Data Trend to .csv File	82
68	Analog Sensor Assemblies	95
69	Smart Sensor Assembly	96
70	Universal Bushing Assembly	97
71	3/4 NPT Bushings	98
72	1 NPT Bushings	99
73	Tees	100
74	Tee Kits	101
75	Universal Tri-Clamp Connection Assembly	103
76	Flanged Connection Assembly	104
77	Universal Flanged Connection Assembly	105
78	Flow Chamber for Standard Sensor Mounting	106
79	Flow Chamber for Universal Sensor Mounting	107
80	Insertion Tube Assembly (Legacy)	108
81	Ball Valve Assembly (Legacy)	110
82	BVA Series Ball Valve Insertion Assembly BVA-PHA****	112
83	Extension Cables And Patch Cords	114
84	Foxboro Smart Sensor PC Interface Cable	115
85	Raw Cable - Unterminated	115
86	Junction Box Assembly (for use with Analog Version Sensors without a Preamplifier)	116
87	Remote Preamplifier Junction Box Assembly - For Use With Analog Version Sensors Without a Preamplifier	117
88	Junction Box Assembly for Use with Analog Sensors Having a Preamplifier	118
89	Buffer Solution and Salt Packet for Model PH10	119

Tables

1	Process Temperature Limits	15
2	Electrical Safety Specifications (PH10 and ORP10 with Electronic Configurations N and P Only)	17
3	Electrical Safety Specifications (PH10-*S Only)	18
4	Bushing Specifications	26
5	Universal Bushing Assemblies	27
6	Bushing Specifications	29
7	Tee Kit Specifications	29
8	Flow Chamber Specifications	31
9	Ball Valve and Insertion Tube Assembly Specifications	35
10	Analyzer and Transmitter Connections	42
11	High Temperature Cable Wiring - Analog Sensor without Preamplifier	42
12	Standard Temperature Cable Wiring - Analog Sensor without Preamplifier	43
13	Cable Wiring - Analog Sensor with Preamplifier	43
14	Cable Wiring - Smart Sensor	43
15	Process Temperature vs. RTD Resistance	83
16	Sensor Troubleshooting	85
17	Temperature Compensation Selections Guide	95

1. Introduction

The PH10 DolpHin[®] Series pH Sensors and ORP10 DolpHin Series ORP Sensors are suitable for a wide range of pH and ORP measurement applications. They are designed for use with Foxboro[®] brand 875PH, 873PH, and 873DPX Analyzers, and 876PH Intelligent Transmitters and 870ITPH Transmitters. Some can also be used with 873APH Analyzers. When used with 875PH Analyzers or 876PH and 870ITPH Transmitters, they provide the additional capability of on-line diagnostics to signal the user if any of several common sensor faults occur.

The sensors are available with a choice of temperature compensation and cable termination. They are available with an internal preamplifier for use up to 150 m (500 ft) and with a Smart sensor for use up to 100 m (328 ft) from the analyzer or transmitter. The sensors can be mounted to the process in a number of ways. They have a 3/4-inch external NPT connection on both the electrode and cable end. The sensors can be inserted directly into the process line or tank or mounted through a variety of accessories including bushings, tees, flowchambers, and ball valves/insertion assemblies. The sensors are available in both analog and Smart versions.

The Electronic Configuration N (Analog without Preamplifier) option allows for no integral preamplifier in the sensor. Electronic Configuration P (Analog with Preamplifier) provides an integral preamplifier located in the upper body of the DolpHin sensor. The temperature limit of the preamplifier is 85°C (185°F) and it resides inside the upper portion of the sensor. The preamplifier provides unity gain and conversion to low impedance of the high impedance mV signal of the glass pH electrode. It also provides signal integrity in electrically noisy environments, in installations where the sensor cable may be moving, and through sensor cable connections to an extension cable.

The Electronic Configuration Model Code option S (Smart) with integral, digital electronics communicates digitally with a transmitter, and stores sensor ID, calibration parameters and diagnostic history in its non-volatile memory. This avoids the need to carry calibration solutions into the field. The Smart option utilizes a 1000 Ω RTD and is compatible only with the Model 876PH-S transmitter. The operating temperature range for this selection is equivalent to the temperature range for the specified pH glass membrane, up to 125°C. PH10-*S calibration and configuration can be carried out either with a 876PH-S transmitter or using a PC with Foxboro Smart Sensor Device Type Manager (DTM) software. The PH10-*S sensor stores data such as date of manufacture, serial number, sales order number, model code, slope, asymmetry, aging and response time.

Dangers, Warnings, and Cautions

 **DANGER**

When installing or removing sensors, wear appropriate protective clothing including safety goggles. Escaping chemicals under pressure can cause severe injury, including blindness.

! WARNING

1. Use care when connecting and disconnecting high-pressure service connection. Use proper gloves and follow the recommended procedures to avoid severe injury to personnel or damage to equipment.
 2. When processing hazardous liquids, follow the recommended procedures. Failure to do so could result in injury to personnel and damage to equipment.
 3. Use only authorized replacement parts. Substitution parts could result in damage to equipment, damage to the process, and/or injury to personnel.
-

! WARNING

In addition to the pressure and temperature limits of the sensor, the DolpHin mounting accessories also have pressure and temperature limits. The specifications for the mounting accessories may be greater or less than the sensor specifications. Always use the lesser of the two specification limits when designing the installation of DolpHin sensors with accessories.

! CAUTION

To prevent damage, use care when handling sensitive sensor components such as glass electrodes.

Reference Documents

Document No.	Description
DP 611-174	Junction Box BS811MR and BS813XN
DP 611-160	Junction Box BS807BZ
DP 611-171	DolpHin Series pH/ORP Sensors
DP 611-172	Legacy Insertion Tube and Ball Valve Assemblies for DolpHin Series pH and ORP Sensors
DP 611-173	DolpHin Series pH/ORP Sensor Accessories
DP 611-182	BVA Series Ball Valve Insertion Assemblies for DolpHin Series pH and ORP Sensors
MI 611-165	873PH Series Electrochemical Analyzers for pH or ORP Measurement
MI 611-190	873DPX Dual pH, ORP, or ISE Electrochemical Analyzers
MI 611-191	873APH Ace Series Electrochemical Analyzers for pH Measurement
MI 611-204	Use of Universal Adapter with DolpHin Series pH and ORP Sensors
MI 611-211	870ITPH pH and ORP Transmitters
MI 611-225	875PH pH and ORP Analyzers
MI 611-262	Model 876PH Intelligent Transmitter for pH, ORP, and ISE Measurement with HART® Communications

Theory of Operation

pH Measurement

pH indicates the concentration of hydrogen ions (H^+) present in aqueous solution. Since the concentration of hydrogen ions determines the degree of acidity or alkalinity of the solution, pH is also said to be a measure of acidity or alkalinity. pH is defined as the negative logarithm of the hydrogen ion concentration:

$$pH = -\log [H^+]$$

The pH scale ranges from 0 to 14 with a pH of 7 being neutral, a pH less than 7 being acidic, and a pH greater than 7 being basic (alkaline).

Measurement of pH using a DolpHin series pH sensor is accomplished by immersing the sensing tip of the sensor, which consists of integral pH and reference electrodes, in the process solution. The pH electrode, which is sensitive to hydrogen ions in solution, develops an electrical potential proportional to pH. The reference electrode, which consists of Silver/Silver Chloride connected to the process via a potassium chloride salt bridge through a ceramic junction, provides a stable reference potential against which the glass electrode potential is measured. These two electrodes constitute a galvanic cell having a millivolt output proportional to the pH of the solution.

ORP Measurement

ORP is a measure of the electrical potential of a reaction known as an oxidation-reduction (redox) reaction. A redox reaction is one in which one component loses one or more electrons (oxidation) while another component gains one or more electrons (reduction). The oxidation-reduction potential is related to the ratio of oxidation activity to reduction activity. By convention, a solution that contains an excess of oxidizing agent has a positive ORP, and a solution that contains an excess of reducing agent has a negative ORP.

Measurement of ORP is accomplished by immersing the DolpHin series ORP sensor, configured with either a gold or platinum electrode, in a solution along with its integral silver/silver chloride reference electrode. The sensor develops a millivolt output (similar to pH measurement) that is proportional to the ratio of oxidizing agent to reducing agent, or ORP.

Standard Specifications

Measurement Range

pH	0 and 14 pH (domed glass)
	2 and 12 pH (flat glass)
	1 and 11 pH (antimony)
ORP	±2000 mV

Automatic Temperature Compensation (ATC)

ATC, utilizing a resistance temperature detector (RTD), is a built-in feature in all DolpHin Sensors. Analog sensors use either 2- or 3-wire, 100 or 1000 Ω platinum RTDs, or a Balco 2-wire, 3 k Ω RTD. Smart sensors use a 1000 Ω RTD. These RTDs are available with an enhanced response speed.

— NOTE

Refer to Table 15 for resistance temperature relationships.

Storage Temperature Limits

-5 and +65°C (-23 and +149°F)

Process Pressure Limits

0 and 0.7 MPa (0 and 100 psi)

Process Temperature Limits

See Table 1.

— NOTE

In Table 1, in-line installation means that only the sensing end, not the sensor body, is immersed in the solution. Submersion installation is when the entire sensor assembly (sensing end and body) is completely submersed.

— WARNING

In addition to the pressure and temperature limits of the sensor, the DolpHin mounting accessories also have pressure and temperature limits. The specifications for the mounting accessories may be greater or less than the sensor specifications. Always use the lesser of the two specification limits when designing the installation of DolpHin sensors with accessories.

Table 1. Process Temperature Limits

Measuring Electrode Type	Analog without Internal Preamp.	Analog with Internal Preamp		Smart Digital (b)
		Ball Valve or Submersion Installation	In-Line Installation (a)	
Domed Glass - pH	0 to 121°C (32 to 250°F)	0 to 85°C (32 to 185°F)	0 to 121°C (32 to 250°F)	0 to 121°C (32 to 250°F)
Flat Glass - pH	0 to 85°C (32 to 185°F)	0 to 85°C (32 to 185°F)	0 to 85°C (32 to 185°F)	0 to 85°C (32 to 185°F)
Antimony - pH	0 to 121°C (32 to 250°F)	0 to 85°C (32 to 185°F)	0 to 121°C (32 to 250°F)	0 to 121°C (32 to 250°F)
Platinum - ORP	0 to 121°C (32 to 250°F)	0 to 85°C (32 to 185°F)	0 to 121°C (32 to 250°F)	Not applicable
Gold - ORP	0 to 121°C (32 to 250°F)	0 to 85°C (32 to 185°F)	0 to 121°C (32 to 250°F)	Not applicable

a. For in-line installations of a DolPHin sensor with internal preamp, the upper body must be in ambient temperatures of 54°C (130°F) or lower.

b. For Smart sensors (PH10-*S) in Intrinsically Safe or Non-Incendive hazardous locations, upper body must be in ambient temperature of 85°C (185°F) or lower.

Materials

Sensor Body: Kynar[®]

Measuring Electrode:

pH: Domed Glass, Flat Glass, or Antimony as specified

ORP: Platinum or Gold as specified

Reference Electrode: The reference electrode is Ag/AgCl (silver/silver chloride) and is isolated from the internal salt-bridge by a Nafion ion barrier.

Reference Junction: The external, process wetted reference junction is ceramic material with ultra fine porosity and small surface area. This style junction provides minimum variability of junction potential which contributes to noise and drift problems typically seen in junctions with large surface area.

O-Ring: Viton[®] standard; EPDM and Chemraz optional, as specified

Solution Ground: Conductive Kynar (nonmetallic)

Cable Length (Analog Version with Integral Cable)

3.05 m (10 ft) standard; 6.1, 9.1, 12.2, and 15.2 m (20, 30, 40, and 50 ft) optional as specified.

Cable Diameter

8 mm (0.3 in) diameter maximum

Cable Termination

PATCH CORDS for analog sensors (Electronic Configurations -N and -P) have a Variopin connector on one end and pin lugs on the other. The Variopin connector is rated IP66/IP68, and has nickel plating and Viton O-rings. This patch cord is selected for use with a sensor that has a mating Variopin quick connector located either directly on the sensor or on the end of the sensor cable (Model Code selection B or Q).

Integral sensor cable terminated with crimped-on straight pin lugs
 Integral sensor cable terminated with Variopin quick connector
 Variopin quick connector integral to sensor housing end

PATCH CORDS for Smart sensors (Electronic Configuration -S) have the "Smart" connector at one end and pin lugs on the other. The Smart connector forms a seal against fluorosilicone o-rings on the Smart sensor.

The Foxboro Smart Sensor PC Interface cable is used to connect the PH10-*S sensor to a personal computer.

Variopin and Smart Connector Protection Class

Meets the ingress protection rating of IP66/68 per IEC 60529; IP68 immersion rating is at a depth of 2 m (6.6 ft) for 48 hours

Sensor Mounting

Up to 90° from vertical with the electrode end downward

Electromagnetic Compatibility (EMC)

When properly installed per the applicable instructions with 875PH, 873PH, 873APH, or 873DPX (220 V ac, 240 V ac Metal Enclosures only) Analyzers, 876PH or 870ITPH Transmitters, or other compliant transmitters/analyzers, the DolpHin pH and ORP sensors comply with the Electromagnetic Compatibility Requirements of European EMC Directive 2004/108/EC by conforming to the following EN and IEC Standards: EN-61326-1 and IEC 61000-4-2 through 61000-4-6.

Electrical Safety Specifications

See Table 2 and Table 3.

Table 2. Electrical Safety Specifications (PH10 and ORP10 with Electronic Configurations N and P Only)

Testing Laboratory, Types of Protection, and Area Classification	Application Conditions	Electrical Safety Design Code
ATEX Intrinsically safe; II GD 1 EEx ia IIC; Zone 0.	Temperature Class T4 to T6.	AA
ATEX Type N (Limited Energy); II GD 3 EEx nL IIC; Zone 2.	Temperature Class T4 to T6.	AN
CSA intrinsically safe for using in Class I, II, III Division 1, Groups A, B, C, D, E, F, and G.	Connect to certified 870ITPH Transmitter, per MI 611-206. Temperature Class T4 Ta=85°C; T5 Ta=40°C.	CA
CSA Non Incendive for Class I, II, III Division 2, Groups A, B, C, D, E, F, and G.	Connect to certified 870ITPH Transmitter, per MI 611-206. Temperature Class T4 Ta=85°C; T5 Ta=40°C.	CN
FM intrinsically safe (Entity) for using in Class I, II, III Division 1, Groups A, B, C, D, E, F, and G.	When installed per MI 611-206; Temperature Class T4 Ta=85°C; NEMA Type 4X.	FA
FM Non Incendive (NIFW) for using in Class I, Division 2, Groups A, B, C, and D; Class II, III, Division 2, Groups F and G.	When installed per MI 611-206; Temperature Class T4 Ta=85°C; NEMA Type 4X.	FN
IECEX intrinsically safe; II GD 1 EEx ia IIC; Zone 0.	Temperature Class T4 Ta = -20°C to 85°C.	DA
IECEX Type N (Limited Energy); Ex nL IIC; Zone 2.	Temperature Class T4 Ta = -20°C to 85°C.	DN

— NOTE

These sensors have been designed to meet the electrical safety descriptions listed in the table above. For detailed information or status of testing laboratory approvals/certifications, contact Invensys Systems, Inc.

Table 3. Electrical Safety Specifications (PH10-S* Only)**

Testing Laboratory, Types of Protection, and Area Classification	Application Conditions	Electrical Safety Design Code
ATEX Intrinsically safe; II 1 G Ex ia IIC Ga	Temperature Class T3 to T6.	AA
CSA intrinsically safe for using in Class I, II, III Division 1, Groups A, B, C, D, E, F, and G Zone 0, Ex ia IIC / AEx ia IIC	Temperature Class T3 to T4.	CA
CSA Non Incendive for Class I, II, III Division 2, Groups A, B, C, D, E, F, and G	Temperature Class T3 to T6.	CN
FM intrinsically safe (Entity) for using in Class I, II, III Division 1, Groups A, B, C, D, E, F, and G Zone AEx ia IIC / Ex ia IIC	Temperature Class T3 to T6.	FA
FM Non Incendive (NIFW) for using in Class I, Division 2, Groups A, B, C, and D; Class II, III, Division 2, Groups F and G	Temperature Class T3 to T6.	FN
IECEx intrinsically safe; Ex ia IIC Ga	Temperature Class T3 to T6.	DA
No certificates.	No certificates.	ZZ

Sensor Identification

Sensors that do not have integral cables but use the Variopin connector (PH10-***Q and ORP10-***Q) have a data label on the connector, immediately adjacent to the sensor body. Smart sensors (PH10-***S) have identification information laser etched directly onto the body of the sensor. See Figure 1.

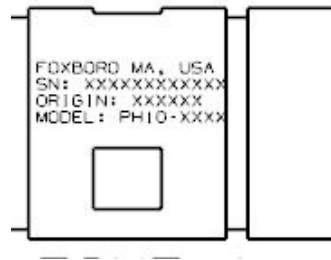
The model code (for example, PH10-3A1A) is the number to be used when ordering a replacement sensor. The Origin (for example, 2B0230) is the manufacturing date code. For a complete explanation of the model code, refer to “MODEL CODE – PH SENSOR” on page 92 and “MODEL CODE – ORP SENSOR” on page 93.

Figure 1. Variopin Connector and Smart Sensor Labels

VARIOPIN CONNECTOR LABEL



SMART SENSOR ETCHED LABEL



2. Installation

Removing the Sensor Protection Cap

The key to proper storage of your sensor is keeping both the measuring electrode and the reference junction hydrated while it is stored at normal room temperature. Your sensor was shipped with a protection cap, containing an electrolyte solution. The cap should remain in place until you are ready to install your sensor in the process. The cap is removed by pulling it off with a slight twisting motion using care not to splash its liquid contents. It is recommended that you save the cap for future use if the sensor may be removed from the process for more than a few hours. For information on how to store your sensor, see “Storing a Sensor” on page 89.

General Installation Guidelines

— **NOTE** —

1. All piping techniques should comply with standard and acceptable practices.
 2. Do not over-tighten threaded connectors. Over-tightening can damage the threads. Maximum torque specification for sensor threads is 23 ft lbs (3 Nm).
 3. When applying PTFE tape to threaded connectors, do not start the tape before the first thread of the connector and do not wrap the tape beyond the last thread. Remove any PTFE tape that is exposed after joining threaded connectors. Excess tape can break off and contaminate or block the process.
-

Proper mounting of the sensor is important for efficient and accurate operation.

For dimensional information, see Dimensional Prints listed in “Reference Documents” on page 12.

For all applications and sensor configurations, mounting arrangements must be located so that:

- ◆ Sample at the sensing area is representative of the solution.
- ◆ Solution circulates actively and continuously past the sensing area (electrodes should stay wetted at all times).
- ◆ Flow velocity at sensing area does not cause cavitation or electrode damage.
- ◆ Position and orientation of the sensor does not trap air bubbles within the sensing area.
- ◆ Orientation of the sensor is any position up to 90° from vertical with the electrode end downward.
- ◆ Accessibility for replacement is considered. A flow-type installation must have blocking valves (user supplied) to allow for sensor replacement.
- ◆ Deposits of sediment or other foreign material do not accumulate within the sensing area.

- ◆ Provision for removal of the sensor from the process is considered. If cable is installed in metal conduit (recommended), either use flexible conduit or make some other provision.

! CAUTION

When installing a sensor, be careful **not** to bottom the sensor in the vessel, particularly in a small diameter pipe.

! WARNING

Antimony is a toxic material. When an antimony electrode is installed, avoid contact with the surface of the antimony pellet. If skin contact is made with the antimony pellet, wash the contacted skin area with soap and water. Refer to MSDS051.

Insertion Installation Using Sensor Threads

NOTE

All piping techniques should comply with standard and acceptable practices.

1. Wrap PTFE tape on the 3/4 NPT threads of the sensor.
2. Insert the sensor into the process vessel. Tighten as required. Do not exceed maximum torque of 23 ft lbs (31 Nm).

Figure 2. Side of Tank/Vessel Mounting

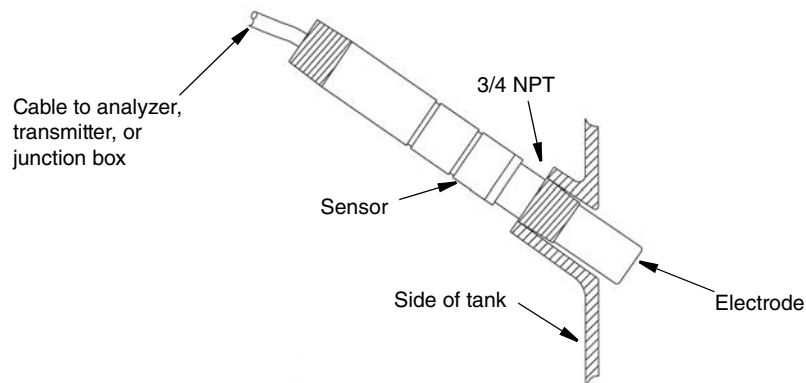
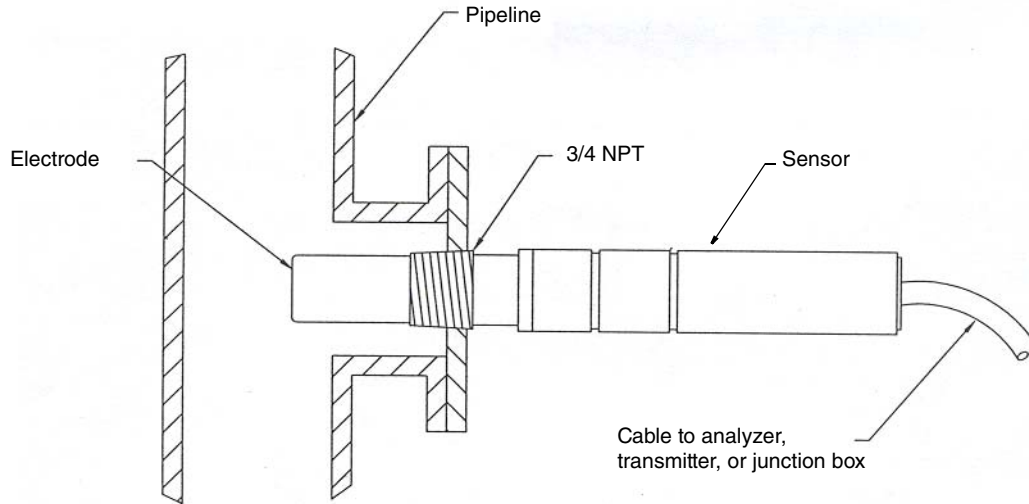


Figure 3. Pipe Mounting



Submersion/Immersion Installations

In a submersion/immersion installation, the cable end of the sensor must be enclosed in a user-supplied conduit to protect the sensor from moisture. Refer to Figures 4 and 5 for examples.

Figure 4. Submersion/Immersion Mounting for Sensor with Integral Cable

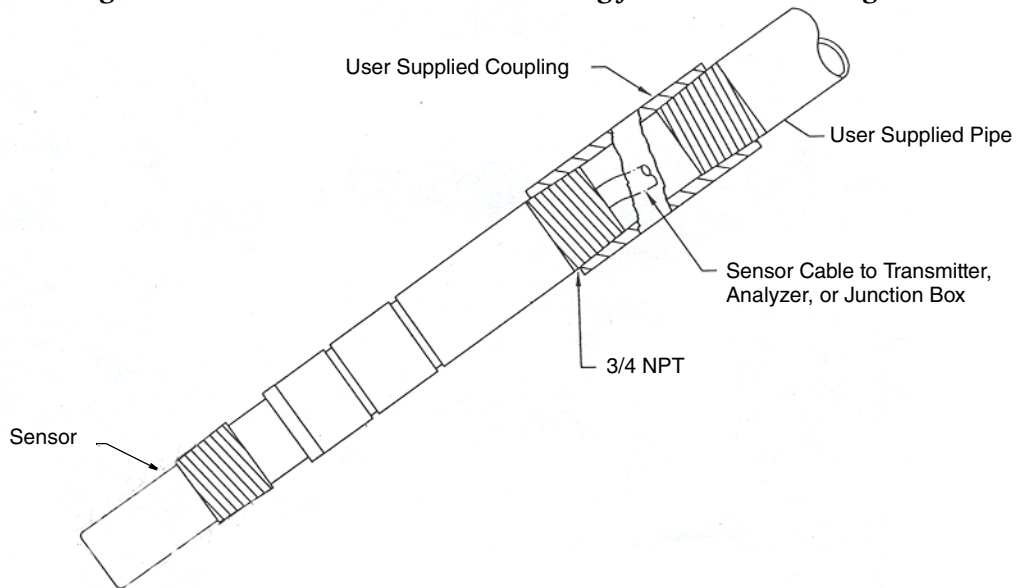
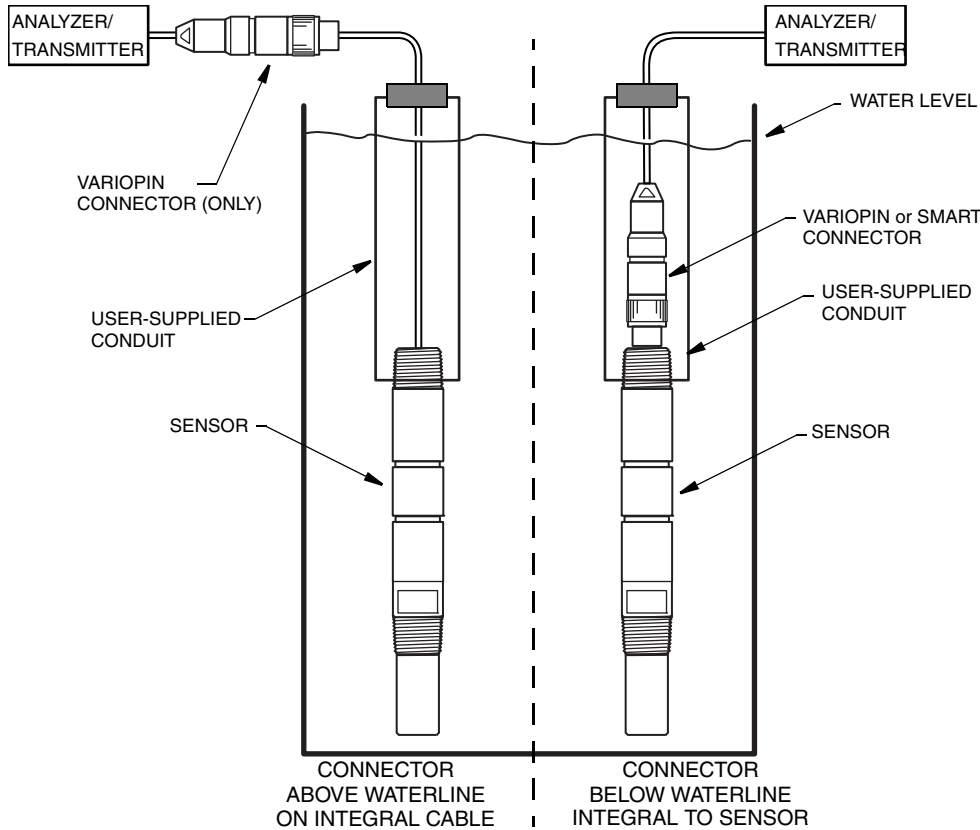
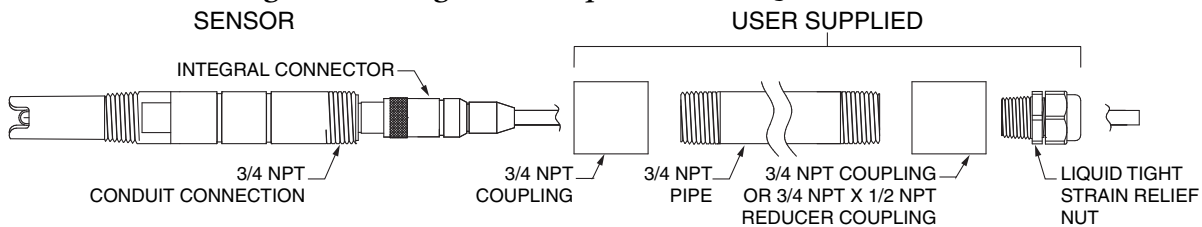


Figure 5. Submersion/Immersion Mounting with Variopin or Smart Quick Connector



In addition, all sensor cable connections must be completely protected from moisture. For a connector that is integral to the sensor, this includes any condensate that may form within the user-supplied conduit. Refer to Figure 6 for details.

Figure 6. Sealing with Variopin or Smart Quick Connector



WHEN USING THE SENSOR FOR SUBMERSION MOUNTING, FOLLOW THE THE DIAGRAM ABOVE. ALWAYS USE THREAD SEALANT ON ALL PIPE THREADS.

CAUTION: WHEN REMOVING THE SENSOR, LOOSEN THE LIQUID TIGHT STRAIN RELIEF NUT AND REMOVE THE STRAIN RELIEF FROM THE COUPLING TO PREVENT CABLE WRAP-UP.

NOTE

1. All piping techniques should comply with standard and acceptable practices.
2. Use appropriate pipe thread sealant.

1. Wrap PTFE tape on the 3/4 NPT threads of the sensor and user supplied pipe.
2. Attach a 3/4 NPT internally threaded coupling (user supplied) to the sensor. Tighten as required. Do not exceed maximum torque of 23 ft lbs (31Nm).
3. Slide a 3/4 NPT externally threaded length of pipe (user supplied) over sensor cable and thread pipe into coupling. Tighten as required.

NOTE

1. Even though sensors with a Variopin quick connector meet the watertight standards of IEC IP68 for submersion at a depth of 2 m for 48 hours, long term submersion/immersion installations should be carried out with protection against moisture contact with the connector. In such applications, refer to the instructions in Figure 6, or use an integral cable with Variopin quick connector (PH10-***B or ORP10-***B) so that the Variopin quick connector is above the water level. See Figure 5.
 2. The Smart version sensor can be installed in a submersion/immersion installation, but the sensor connector must be protected from the ingress of moisture, including condensate from within the customer-supplied conduit. With PH10-*S, a customer supplied conduit is recommended. The use of a liquid tight conduit connector is also recommended. See Figure 6.
-

Insertion Installation Using a Bushing

Bushings are used to mount sensors in a system that has process piping larger than the external 3/4 NPT threaded connection on the sensor. Bushings are offered with 1, 1¼-inch or 1½-inch external connections. Those made of 316 ss or PVDF have NPT external connections. Those made of CPVC have a solvent weld connection. Refer to Table 4 for specifications of bushings with a 3/4 NPT internal thread that are used directly with a sensor.

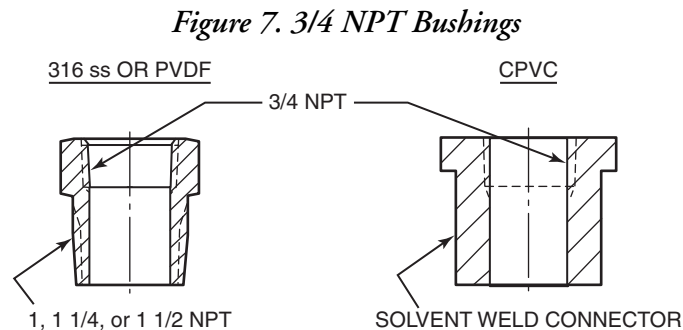


Table 4. Bushing Specifications

Bushing Material	Sensor Connection	Process Connection	Maximum Pressure/ Temperature Rating
316 ss	3/4 NPT	1 NPT	1.4 MPag (200 psig) at 121°C (250°F)
	3/4 NPT	1 1/4 NPT	
	3/4 NPT	1 1/2 NPT	
PVDF	3/4 NPT	1 NPT	0.7 MPag (100 psig) at 90°C at (194°F)
	3/4 NPT	1 1/2 NPT	0.35 MPag (50 psig) at 121°C (250°F)
CPVC	3/4 NPT	1 in solvent weld	0.7 MPag (100 psig) at 70°C at (158°F)
	3/4 NPT	1 1/4 in solvent weld	0.4 MPag (60 psig) at 85°C (185°F)
	3/4 NPT	1 1/2 in solvent weld	

For part numbers, see “ACCESSORY – 3/4 NPT BUSHINGS” on page 98.

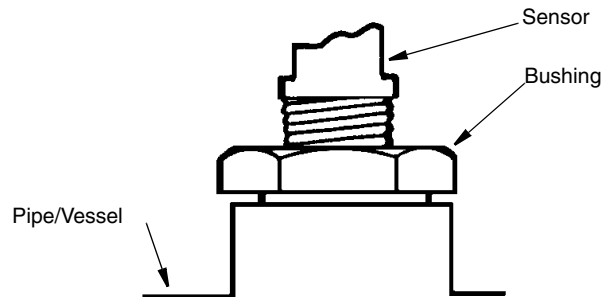
! WARNING
Do **not** exceed the pressure/temperature ratings of the materials used.

NOTE
All piping techniques should comply with standard and acceptable practices.

Install the bushing and sensor as follows:

- On 316 ss or PVDF bushings, wrap PTFE tape on the external thread of the bushing and insert the bushing into the process vessel. Tighten as required.
On CPVC bushings, brush PVC solvent onto the bushing and insert the bushing into the process vessel.
- Wrap PTFE tape on the 3/4 NPT threads of sensor. Insert the sensor into the bushing. Tighten as required. Do not exceed maximum torque of 23 ft lbs (31Nm).

Figure 8. Bushing Installation



Insertion Installation Using the Universal Bushing Assembly

The Universal Bushing Assembly provides a 1 NPT, R 1 1/2, or R 2 process connection with two options of insertion depth and easy sensor removal/replacement that avoids cable “wind-up.” The Universal Bushing Assembly consists of a universal assembly bushing, split ring, O-ring, O-ring lubricant, backup ring, and locking cap. The split ring can be positioned in one of two grooves on the sensor body. See Figure 9. The result is adjustment of the insertion depth of:

- ◆ PH10-1: 63 or 88 mm (2.5 or 3.5 in)
- ◆ PH10-2: 58 or 84 mm (2.3 or 3.3 in)
- ◆ PH10-3, ORP10-1, ORP10-2: 54 or 80 mm (2.1 or 3.1 in)
- ◆ PH10-4: 56 or 81 mm (2.2 or 3.2 in)

Table 5. Universal Bushing Assemblies

Material	Part Number	Pressure/Temperature Rating	
316 ss	BS810XC BS810XD BS810XE	1.4 MPag at 121°C	200 psig at 250°F
PVDF	BS810XB	0.7 MPag at 90°C 0.35 MPag at 121°C	100 psig at 194°F 50 psig at 250°F

— NOTE

Installation procedures for the Universal Tri-Clamp Assembly and the Universal Flanged Assembly are similar to those for the Universal Bushing Assembly. Refer to “ACCESSORY – UNIVERSAL TRI-CLAMP CONNECTION ASSEMBLY” on page 103 and “ACCESSORY – UNIVERSAL FLANGED CONNECTION ASSEMBLY” on page 105 for diagrams and part numbers.

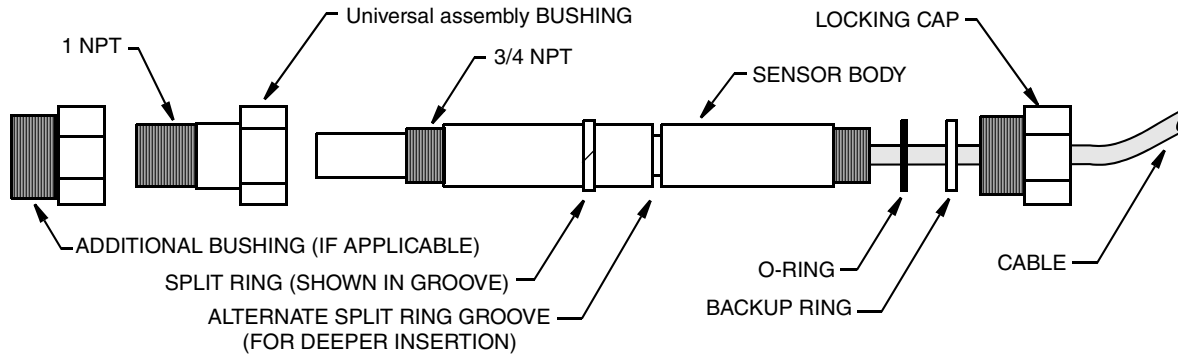
1. Mount the universal assembly bushing (and any additional required fittings, such as a bushing and/or tee) to the process.
2. Insert the sensor body through the locking cap. Push the locking cap to the far end of the sensor body. The threaded end of the locking cap should face the electrode end of the sensor body. Refer to Figure 9.
3. Add the backup ring and push it to the far end of the sensor body as well.
4. Lubricate the O-ring and position it just beyond the groove where you intend to position the split ring.
5. Position the split ring in the desired groove. Make sure the ring is fully seated in the groove.

— CAUTION

There are two grooves on the sensor. The **split ring** goes in the groove of your choice depending on the desired insertion depth. The O-ring **does not** go in either groove. Refer to Figure 9.

6. Bring the O-ring and backup ring down to meet the split ring.
7. Insert the sensor into the universal assembly bushing. It will stop at the split ring.
8. Screw the locking cap into the universal assembly bushing and tighten as required.

Figure 9. Sensor and Universal Bushing Assembly with Additional Bushing to Process Connection



If a Universal Bushing Assembly must mount in a system that has a process piping connection larger than the universal assembly bushing, or if less depth is needed, an additional bushing can be added. Such bushings are offered with 1 NPT internal connections and 1, 1¼, or 1½-inch external connections. Those made of 316 ss or PVDF have NPT external connections. Those made of CPVC have a solvent weld connection. Refer to Table 6 for bushing specifications.

For example, the 1 NPT x 1 NPT bushing allows the universal assembly bushing to be used with a 1-inch tee, which otherwise would be too shallow to accept the sensor.

Install the bushing as follows:

- ◆ On 316 ss or PVDF bushings, wrap PTFE tape on the external thread of the bushing and insert the bushing into the process vessel. Tighten as required.
- ◆ On CPVC bushings, brush PVC solvent onto the bushing and insert the bushing into the process vessel.

Figure 10. 1 NPT Bushings

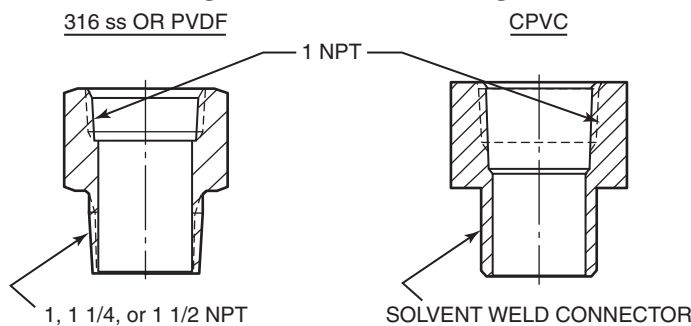


Table 6. Bushing Specifications

Bushing Material	Adapter Bushing Connection	Process Connection	Maximum Pressure/Temperature Rating
316 ss	1 NPT	1 NPT	1.4 MPag (200 psig) at 121°C (250°F)
	1 NPT	1 1/4 NPT	
	1 NPT	1 1/4 NPT	
PVDF	1 NPT	1 NPT	0.7 MPag (100 psig) at 90°C at (194°F) 0.35 MPag (50 psig) at 121°C (250°F)
	1 NPT	1 1/2	
CPVC	1 NPT	1 in solvent weld	0.7 MPag (100 psig) at 70°C at (158°F) 0.4 MPag (60 psig) at 85°C (185°F)
	1 NPT	1 1/4 in solvent weld	
	1 NPT	1 1/2 in solvent weld	

For part numbers, see "ACCESSORY – 1 NPT BUSHINGS" on page 99.

Flow-Through Installation Using a Tee

Tees (Figure 11) are used for flow-through installations in a pipe line. The sensor connection port and process inlet and outlet ports have internally threaded ends for the 316 ss and PVDF Tee materials, and solvent weld connections for the CPVC Tee material. A bushing is used to connect the tee to the 3/4 NPT sensor threads or 1 NPT universal assembly bushing. A tee and bushing can be purchased together as a tee kit; these parts are also available separately. Refer to Table 7 for tee kit specifications.

Table 7. Tee Kit Specifications

Tee Material	Process Connections	Sensor Connection	Maximum Pressure/Temperature Rating
316 ss	1 NPT	3/4 NPT	1.4 MPag (200 psig) at 121°C (250°F)
		1 NPT	
	1 1/4 NPT	3/4 NPT	
		1 NPT	
	1 1/2 NPT	3/4 NPT	
		1 NPT	
PVDF	1 NPT	3/4 NPT	0.7 MPag (100 psig) at 90°C at (194°F) 0.35 MPag (50 psig) at 121°C (250°F)
		1 NPT	
	1 1/2 NPT	3/4 NPT	
		1 NPT	
CPVC	25 mm (1 in) I.D.	3/4 NPT	0.7 MPag (100 psi) at 70°C at (158°F) 0.4 MPag (60 psig) at 85°C (185°F)
		1 NPT	
	33 mm (1.3 in) I.D.	3/4 NPT	
		1 NPT	
	38 mm (1.5 in) I.D.	3/4 NPT	
		1 NPT	

For part numbers, see "ACCESSORY – TEE KITS" on page 101.

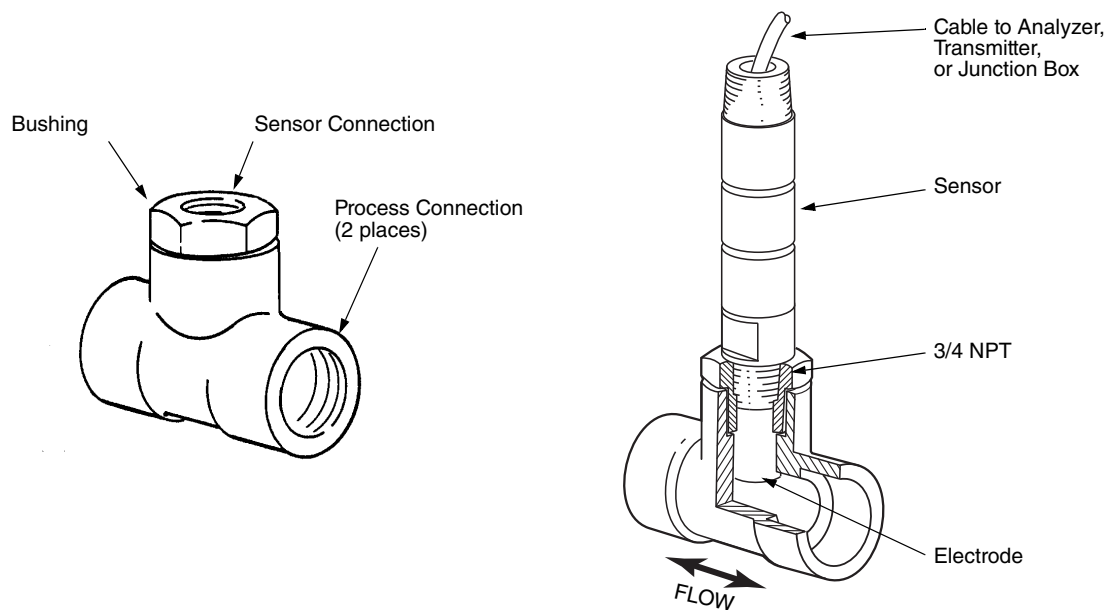
! WARNING
Do **not** exceed the pressure/temperature ratings of the materials used.

NOTE
All piping techniques should comply with standard and acceptable practices.

Install the sensor as follows:

1. Wrap PTFE tape on the external thread of the bushing. Insert the bushing into the tee. Tighten as required.
2. Wrap PTFE tape on the 3/4 NPT threads of sensor. Insert the sensor into the bushing. Tighten as required. Do not exceed maximum torque of 23 ft lbs (31Nm).

Figure 11. Tee and Tee Application



Installation in a Flow Chamber

Flow chambers (Figure 12) are a convenient way of mounting sensors in a system where a sample is provided by a small diameter sample line. The inlet and outlet ports of the flow chamber have 1/2 NPT internal threads and connect to the system with user supplied fittings. The flow chamber is offered in 316 ss, PVDF, or CPVC. Refer to Table 8 for flow chamber specifications.

Table 8. Flow Chamber Specifications

Flow Chamber Material	Inlet/Outlet Connection	Sensor Connection	Maximum Pressure/Temp Rating
316 ss	1/2 NPT	3/4 NPT	1.4 MPag (200 psig) at 121°C (250°F)
PVDF	1/2 NPT	3/4 NPT	0.7 MPag (100 psig) at 90°C at (194°F) 0.35 MPag (50 psig) at 121°C (250°F)
CPVC	1/2 NPT	3/4 NPT	0.7 MPag (100 psig) at 70°C at (158°F) 0.4 MPag (60 psig) at 85°C (185°F)
316 ss	1/2 NPT	Universal Assembly	1.4 MPag (200 psig) at 121°C (250°F)

For part numbers of Flow Chambers, see "ACCESSORY – FLOW CHAMBER" on page 106.

! WARNING

Do **not** exceed the pressure/temperature ratings of the materials used.

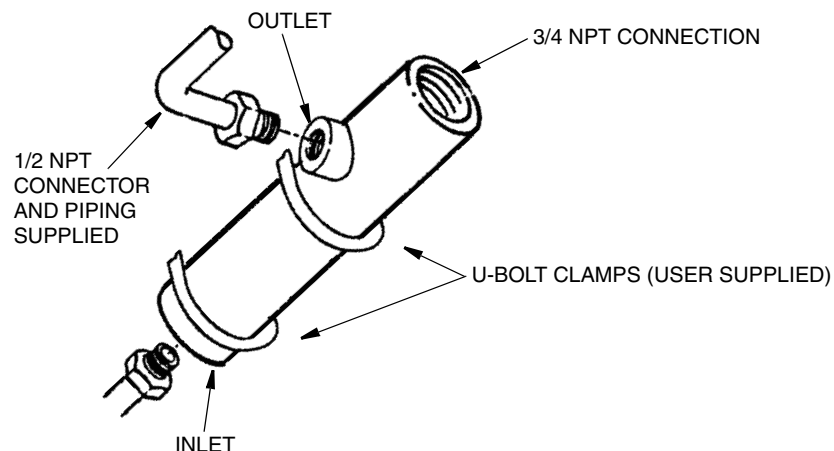
! CAUTION

The flow chamber can pass up to 125 mL/s (2 gpm) of process sample without introducing a damagingly high pressure drop. To avoid damage to the sensor, do not exceed 125 mL/s (2 gpm).

NOTE

All piping techniques should comply with standard and acceptable practices.

Figure 12. Flow Chamber with 3/4 NPT Sensor Connection



A flow chamber installation must meet mounting arrangements specified in “General Installation Guidelines” on page 21 as well as the following requirements:

- ◆ Mount the flow chamber so that the sensor is located between vertical and 45° with the electrodes facing down.
- ◆ Direct the outlet piping **upward** a minimum of 50 mm (2 in) so that bubbles do not settle in the measuring electrode.
- ◆ Provide space for removal of the sensor from the flow chamber.

Flow Chamber Installation with 3/4 NPT Sensor Connection

1. Mount the flow chamber to a rigid surface with U-bolts (user supplied).
2. Connect the two 1/2 NPT user-supplied inlet and outlet fittings.
3. Install the sensor into the flow chamber. Tighten as required. Do not exceed maximum torque of 23 ft lbs (31Nm).

Flow Chamber Installation with the Universal Mounting Assembly

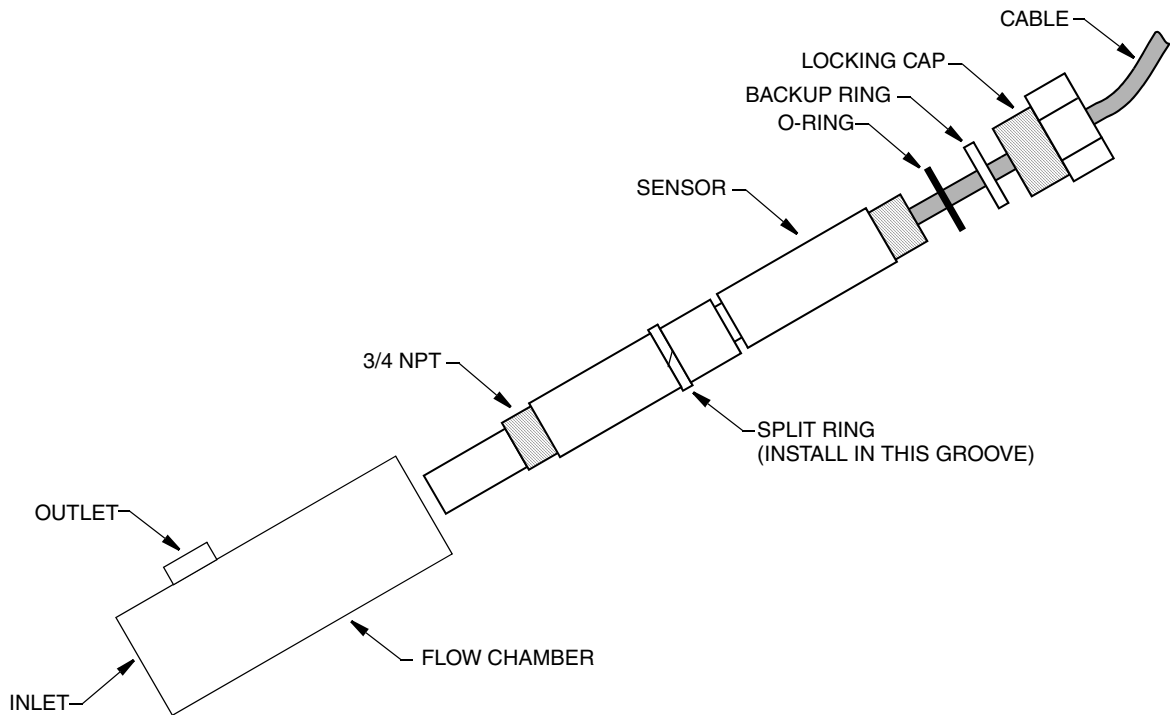
1. Mount the flow chamber to a rigid surface with U-bolts (user supplied).
2. Connect the two 1/2 NPT user-supplied inlet and outlet fittings.
3. Insert the sensor body through the locking cap. Push the locking cap to the far end of the sensor body. The threaded end of the locking cap should face the electrode end of the sensor body. Refer to Figure 13.
4. Add the backup ring and push it to the far end of the sensor body as well.
5. Lubricate the O-ring and position it just beyond the groove shown in Figure 13.
6. Position the split ring in the groove shown in Figure 13. Make sure the ring is fully seated in the groove.

! CAUTION

There are two grooves in the sensor. The split ring goes in the groove shown in Figure 13. The O-ring does **not** go in the other groove.

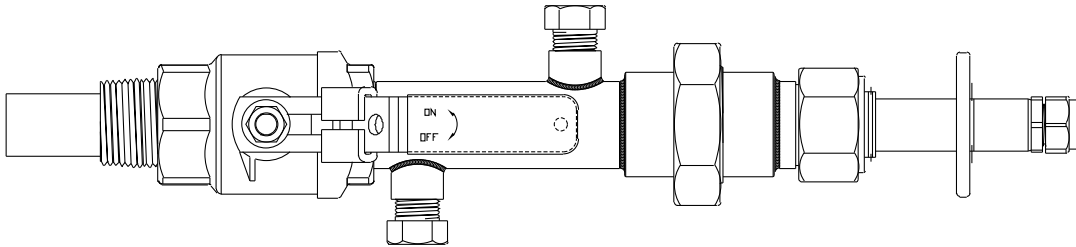
7. Bring the O-ring and backup ring down to meet the split ring.
8. Insert the sensor into the flow chamber. It will stop at the split ring.
9. Screw the locking cap into the flow chamber and tighten as required.

Figure 13. Flow Chamber With the Universal Sensor Mounting Assembly



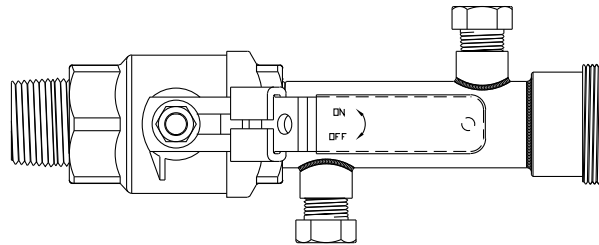
Installation in a BVA Series Ball Valve Insertion Assembly

Figure 14. BVA Series Ball Valve Insertion Assembly



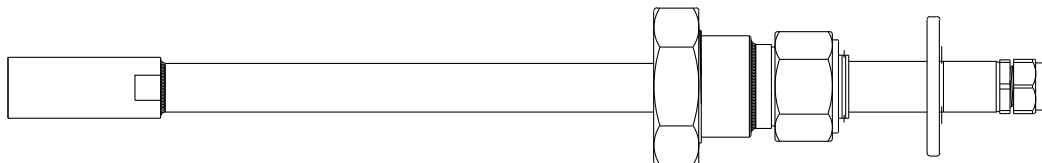
The BVA Series Ball Valve Insertion Assembly permits a DolpHin sensor to be inserted and removed from the process under rated pressure and temperature without draining the system, shutting down a line, or resorting to a bypass arrangement.

Figure 15. Ball Valve and Retraction Chamber



The ball valve and retraction chamber are mounted directly to the process. The insertion tube fits through the retraction chamber, using a ferrule compression seal to hold the shaft in place. Purge ports on the retraction chamber allow the operator to purge away hot, pressurized, or hazardous chemicals prior to opening the assembly and servicing the sensor.

Figure 16. Insertion Tube Assembly



The insertion tube assembly holds the sensor and allows a continuously adjustable immersion depth, up to the full length of the insertion shaft. This allows the installer to place the sensing end of the DolpHin probe at the optimum location for the application, and allows adjustment of the immersion depth in response to plumbing or hardware changes. A sealing feature in the insertion tube assembly prevents the process fluid from migrating out through the shaft, and possibly out the cable conduit to the transmitter, when the ball valve is open and the sensor and tube are still in the retraction chamber.

NOTE

These instructions describe the installation of a BVA Series Ball Valve Insertion Assembly. However, they also apply to the legacy model Insertion Tube Assembly and Ball Valve Assembly. For detailed dimensions, including maximum insertion depth and minimum clearance needed to remove the insertion tube and sensor, refer to DP 611-182 for BVA Series models and DP 611-172 for legacy models.

Table 9. Ball Valve and Insertion Tube Assembly Specifications

Parameter	Legacy Models	BVA Series		
		316 ss	Titanium	PVDF
Ball Valve Material	316 ss or Titanium	316 ss	Titanium	PVDF
Ball Seats	PTFE	PTFE	PTFE	PTFE
Insertion Tube Material	316 ss or Titanium	316 ss	Titanium	316 ss or Titanium
Connection	1 1/4 NPT	1 1/4 NPT	1 1/4 NPT	1 1/4 NPT
O-Ring Material	Viton	Chemraz, EPDM, Kalrez, Perfluoroelastomer (FFKM), or Viton		
Temperature/Pressure Rating (a)	0.7 MPa (100 psi) at 121°C (250°F)	1.59 MPa (230 psi) at -29 to 66°C (-20 to 150°F)	1.90 MPa (275 psi) at -29 to 66°C (-20 to 150°F)	1.00 MPa (145 psi) at -20 to 25°C (-4 to 77°F)
		1.35 MPa (195 psi) at 93°C (200°F)	1.72 MPa (250 psi) at 93°C (200°F)	0.75 MPa (109 psi) at 50°C (122°F)
		1.28 MPa (185 psi) at 121°C (250°F)	1.65 MPa (240 psi) at 121°C (250°F)	0.37 MPa (54 psi) at 100°C (212°F)
		1.21 MPa (175 psi) at 149°C (300°F)	1.59 MPa (230 psi) at 149°C (300°F)	0.15 MPa (22 psi) at 140°C (284°F)

a. These ratings may exceed the ratings of the sensor itself. Use the rating that is more restrictive.

! WARNING

Do not exceed the sensor or mounting assembly temperature and pressure limits.

Initial Installation

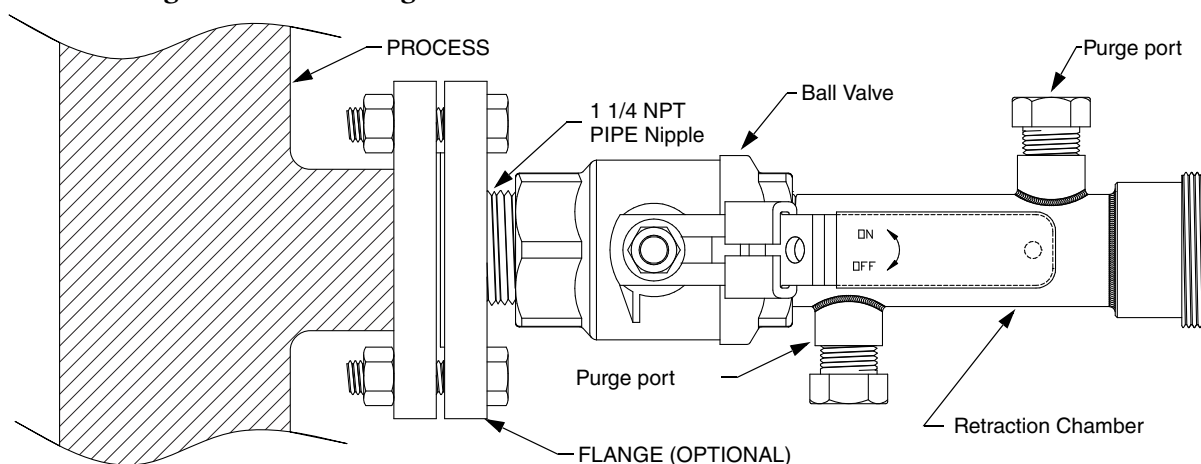
First-time installation of an insertion tube assembly or ball valve assembly consists of three major steps. These steps are summarized below and detailed in the following sections.

1. Connect the ball valve and/or retraction chamber to the process. Refer to “Connecting the Ball Valve/Retraction Chamber to the Process” on page 36.
2. Secure the sensor in the insertion tube. Refer to “Securing the Sensor in the Insertion Tube” on page 37.
3. Use the insertion tube to position the sensor in the process. Refer to “Positioning the Sensor in the Process” on page 37.

Connecting the Ball Valve/Retraction Chamber to the Process

If a ball valve is being used, connect the closed ball valve to the process, then connect the retraction chamber to the ball valve. If a ball valve is not being used, connect the retraction chamber directly to the process.

Figure 17. Connecting the Ball Valve and Retraction Chamber to the Process



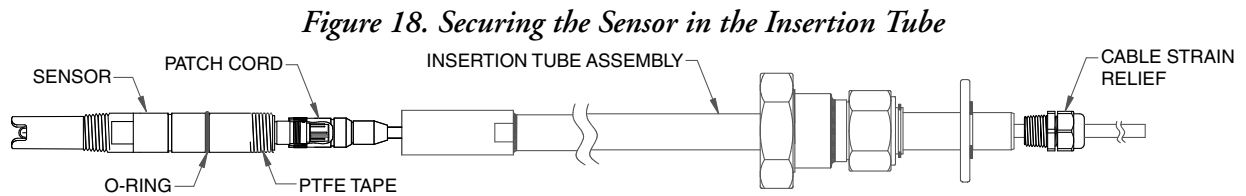
! WARNING

Shut down the process before proceeding.

1. If the insertion tube is already assembled to the retraction chamber, unscrew the chamber nut to disengage it. (See Figure 19.) Remove the insertion tube from the ball valve/retraction chamber.
2. Close the ball valve by disengaging the sliding lock mechanism (if applicable) and turning the handle clockwise until it is perpendicular to the housing.
 - ◆ If a ball valve is NOT being used, connect the 1 1/4 NPT end of the retraction chamber to the process vessel, or to a suitable shutoff mechanism that has already been mounted to the process vessel. Tighten as required and go to Step 5.
3. Use the 1 1/4 NPT pipe nipple to connect the ball valve to the process vessel. Tighten as required.

4. If the retraction chamber is not already connected to the ball valve, connect it now and tighten as required.
5. Connect the appropriate piping to the 1/2 NPT purge ports of the retraction chamber.

Securing the Sensor in the Insertion Tube



! CAUTION

Perform the following steps carefully. If the seals are compromised, the sensor may fail.

1. Lubricate a **new** O-ring and place it in the groove closest to the cable end of the sensor. See Figure 18.
2. Wrap the 3/4 NPT thread on the cable end of the sensor with PTFE tape.
3. Remove the cable strain relief fitting from the insertion tube.
4. Insert the cable end of the sensor into the insertion tube. Feed the cable through the tube.
5. Slide the cable strain relief fitting onto the cable.
6. Screw the sensor into the insertion tube and tighten as required. Do not exceed maximum torque of 23 ft lbs (31Nm).

NOTE

To avoid twisting the cable, hold the sensor and turn the insertion tube.

7. Screw the cable strain relief fitting into the insertion tube.
8. Tighten the strain relief cap until it captures the cable.

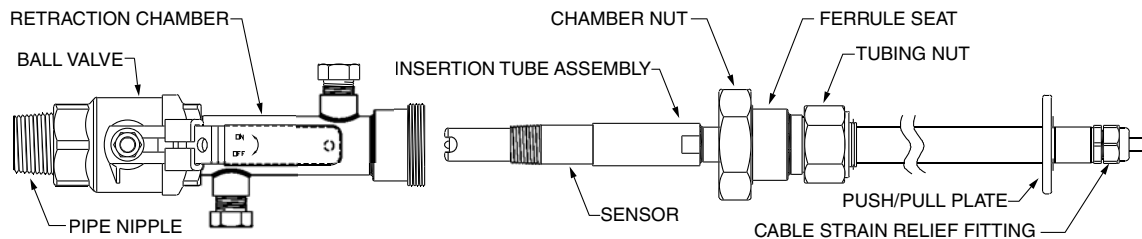
Positioning the Sensor in the Process

! WARNING

Do not exceed the sensor or mounting assembly temperature and pressure limits.

NOTE

The sensor should be installed into the insertion tube, and the ball valve/retraction chamber installed into the process prior to performing this procedure. Refer to “Connecting the Ball Valve/Retraction Chamber to the Process” on page 36 and “Securing the Sensor in the Insertion Tube” on page 37 for details.

Figure 19. Positioning the Sensor in the Process

1. Loosen the tubing nut and slide the ferrule seat along the insertion tube towards the sensor end as far as it will go. Slightly tighten the tubing nut.

! CAUTION

If a ball valve is being used, failure to perform Step 1 makes it possible for the sensor to contact the closed ball valve when performing Step 2. Such contact can damage the sensor.

2. Insert the sensor end of the insertion tube into the retraction chamber and tighten the chamber nut to secure the ferrule seat to the retraction chamber.
3. Seal the ferrule on the insertion tube by tightening the tubing nut.
4. **If a ball valve is NOT being used:** Shut down the process and continue to the next step.

If a ball valve is being used: Slowly open the ball valve by disengaging the sliding lock mechanism (if applicable) and turning the handle counterclockwise until it is parallel to the housing.

! CAUTION

Failure to open the ball valve causes the sensor to contact the closed ball valve in Step 5. Such contact can damage the sensor.

! WARNING

Depending on the condition of the ferrule seat O-rings and split washer, process seepage is possible as you perform the next step. Take all necessary precautions.

5. Slightly loosen the tubing nut. Use the push/pull plate to position the insertion tube (with the sensor) to the required depth. Retighten the tubing nut.

! CAUTION

Do not force the electrodes against the process wall.

NOTE

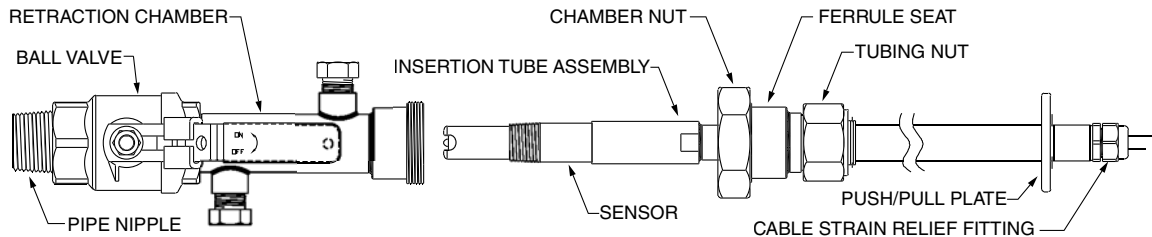
When the push/pull plate is in contact with the tubing nut, the sensor is inserted at the maximum depth. For maximum insertion depths, refer to DP 611-182 for BVA Series models and DP 611-172 for legacy models.

Removing the Sensor

WARNING

If process fluid is present, there may be some seepage as you perform these steps. Take all necessary precautions.

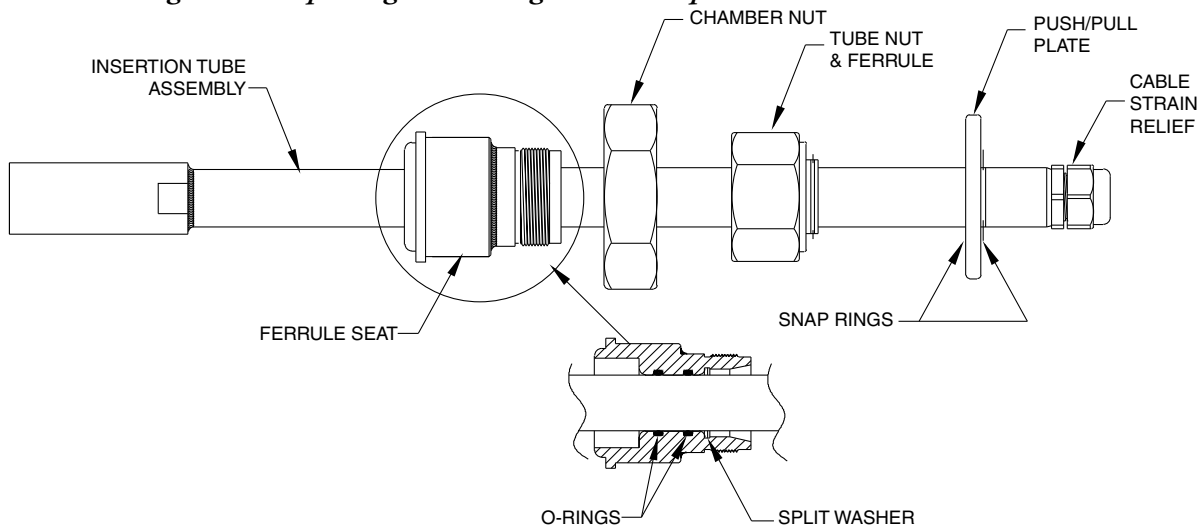
Figure 20. Removing the Insertion Tube from the Ball Valve and Retraction Chamber



1. Slightly loosen the tubing nut.
2. Using the push/pull plate, slowly pull the insertion tube out of the process as far as it will go. Retighten the tubing nut to restore the ferrule seal.
3. **If a ball valve is NOT being used:** Shut down the process and continue to the next step.
If a ball valve is being used: When the insertion tube and sensor are clear of the ball valve, close the ball valve by disengaging the sliding lock mechanism (if applicable) and turning the handle clockwise until it is perpendicular to the housing.
4. Flush and drain the purgeable retraction chamber. Then close the purge fittings.
5. Slowly unscrew the chamber nut. If fluid continues to leak, check ball valve closure and purge ports.
6. Fully remove the chamber nut and pull the insertion tube free of the retraction chamber.
7. Loosen the cable strain relief from the cable.
8. Remove the cable strain relief fitting from the insertion tube.
9. Unscrew and remove the sensor from the insertion tube. There may be resistance because of the O-ring seal.
10. Disconnect the sensor cable.
11. To replace or reinstall the sensor, refer to “Securing the Sensor in the Insertion Tube” on page 37 and “Positioning the Sensor in the Process” on page 37.

Replacing the O-Ring Seals and Split Washer in the Ferrule Seat

Figure 21. Replacing the O-Ring Seals and Split Washer in the Ferrule Seat



1. Remove the insertion tube and sensor from the process as described in “Removing the Sensor” on page 39.
2. Remove the two snap rings and the push/pull plate.
3. Remove the tubing nut (with ferrule), the chamber nut, and the ferrule seat.
4. Remove the two O-rings and the split washer from inside the ferrule seat.
5. Grease the new O-rings and split washer, and liberally grease the inside of the ferrule seat.
6. Insert the new O-rings and split washer into the ferrule seat.
7. Grease the insertion tube and reinstall the ferrule seat, chamber nut, tubing nut (with ferrule), the push/pull plate, and the snap rings.
8. To replace or reinstall the sensor, refer to “Securing the Sensor in the Insertion Tube” on page 37 and “Positioning the Sensor in the Process” on page 37.

Wiring

Cable Variations

Sensor cables are permanently attached to the sensor. Additional length can be achieved through the use of an extension cable (with straight pin lugs on each end) or a patch cord (with a Variopin connector on one end and straight pin lugs on the other). See Figure 22 and Figure 23 for typical sensor cable, extension cable, and patch cord configurations.

Cable Length

When a internal preamplifier (analog version) is used, the analyzer/transmitter can be up to 152 m (500 ft) away from the sensor. If no preamplifier (analog version) is used, the distance is limited to 15 m (50 ft).

For Smart sensors, the analyzer/transmitter can be up to 100 m (328 ft) away from the sensor.

Figure 22. Typical Cable Extension Configurations

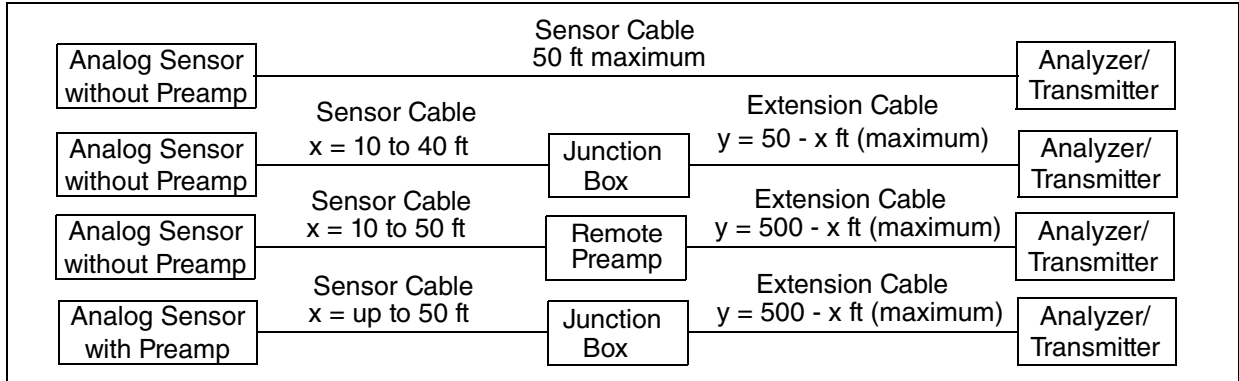
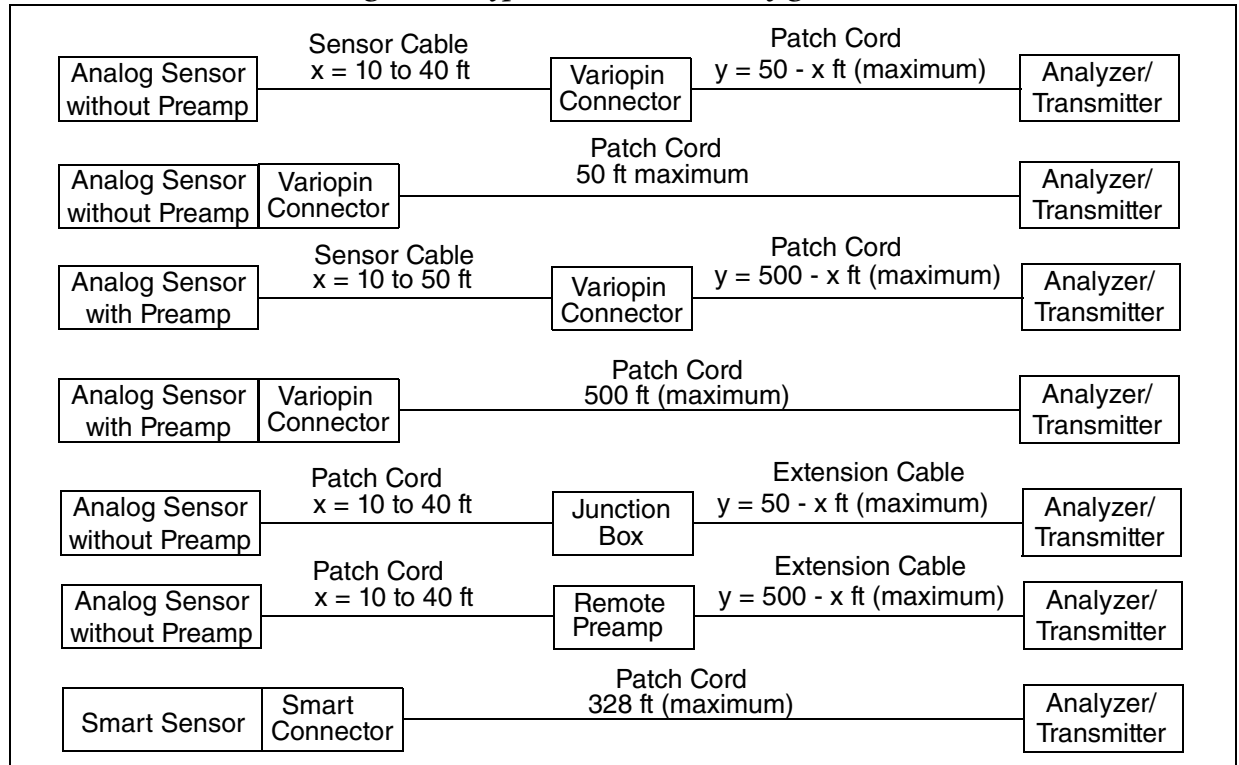


Figure 23. Typical Patch Cord Configurations



Connections to Analyzer or Transmitter

Connect the numbered wires from the sensor to the appropriate terminals on the transmitter, analyzer, or junction box. For sensor connections to an analyzer or transmitter, refer to Table 10 through Table 13. Extension cables and patch cords have the same numbering and color coding as the sensor cables.

Table 10. Analyzer and Transmitter Connections

Instruction	Analyzer or Transmitter
MI 611-165	873PH Series Electrochemical Analyzers for pH or ORP Measurement
MI 611-190	873DPX Dual pH, ORP, or ISE Electrochemical Analyzers
MI 611-191	873APH Ace Series Electrochemical Analyzers for pH Measurement
MI 611-211	870ITPH pH and ORP Transmitters
MI 611-225	875PH pH and ORP Analyzers
MI 611-262	876PH Intelligent Transmitter for pH, ORP, and ISE Measurement with HART® Communications.

Table 11. High Temperature Cable Wiring - Analog Sensor without Preamplifier

Wire Number	Cable Color	Function
1	Black	RTD
2	Brown	RTD
2A	Orange	RTD 3-Wire (a)
3	White (Coax)	Measuring Electrode
3A	Clear (Coax Shield)	Coax Shield (screen) for Measuring Electrode
4	Green (Outer Shield)	Solution Ground
5	Red	Reference Electrode

- a. Wire 2A is not present on the cable of a sensor with a 2-wire RTD.
 Wire 2A on patch cords used with Analog sensors without preamplifiers is only functional when the sensor contains a 3-wire RTD. Do **not** connect wire 2A to the analyzer/transmitter (tape it back) if the sensor does not contain a 3-wire RTD.
 Wire 2A is not used with 873 Analyzers. In such applications, it should be taped back.

Table 12. Standard Temperature Cable Wiring - Analog Sensor without Preamplifier

Wire Number	Cable Color	Function
1	Black	RTD
2	Dark Green	RTD
2A	White	RTD 3-Wire (a)
3	Clear over Copper (Coax)	Measuring Electrode
3A	Clear over Silver (Shield)	Coax Shield (screen) for Measuring Electrode
4	Green (Outer Shield)	Solution Ground
5	Red	Reference Electrode

- a. Wire 2A is not present on the cable of an Analog sensor with a 2-wire RTD.
 Wire 2A on patch cords used with Analog sensors without preamplifiers is only functional when the sensor contains a 3-wire RTD. Do **not** connect wire 2A to the analyzer/transmitter (tape it back) if the sensor does not contain a 3-wire RTD.
 Wire 2A is not used with 873 Analyzers. In such applications, it should be taped back.

Table 13. Cable Wiring - Analog Sensor with Preamplifier

Wire Number	Cable Color	Function
1	Black	RTD
2	White	RTD
2A	Orange	RTD 3-Wire (a)
3	Red	Measuring Electrode
4	Clear	Solution Ground
5	Yellow	Reference Electrode
6	Brown	Power to Sensor (+)
7	Blue	Power to Sensor (-)
8	Green	Diagnostic Signal (b)

- a. Patch cords used with Analog sensors with preamplifiers do not have a 2A wire.
 b. Not used with 873PH and 873DPX.

Table 14. Cable Wiring - Smart Sensor

Wire Number	Cable Color	Function
+	Red	Power to Sensor
-	Black	Power to Sensor

— NOTE

Smart sensors may only be connected to 876PH-S version transmitters. Smart sensors cannot be used with other Foxboro transmitters, including the 876PH transmitter that is used with Analog sensors.

Variopin Connectors

Variopin cable connections must be completely protected from moisture. For a connector that is integral to the sensor, this includes any condensate that may form within the user-supplied conduit in a submersion/immersion installation. Refer to Figures 4 through 6 for detailed examples of proper protection in submersion/immersion installations.

Do **not** disconnect Variopin connectors in the rain or in condensing moisture environments, or otherwise allow moisture to get inside the connector.

Before reassembly, inspect the two parts of the connector for any sign of moisture or residue. Thoroughly remove any moisture or residue from all surfaces to ensure high performance.

Smart Connectors

The Smart version sensor can be installed in a submersion/immersion installation, but the sensor connector must be protected from the ingress of moisture, including condensate from within the customer-supplied conduit. With PH10-*S, a customer supplied conduit is recommended. The use of a liquid tight conduit connector is also recommended. Refer to Figure 4, Figure 5, and Figure 6 for examples of proper protection in submersion/immersion installations.

3. PH10-*S Sensor Device Type Manager (DTM)

This chapter provides information about installing and using the PH10-*S Sensor DTM. In addition to the Sensor DTM software, a communications DTM must be installed. Also, use of this software requires the Foxboro Smart Sensor PC Interface cable (part number BS814ME).

NOTE

These instructions assume that PACTware is installed on your computer. To install the latest version of PACTware, refer to:

http://iom.invensys.com/EN/Pages/Foxboro_MandI_DocTools_DeviceManagers.aspx.

Using the PH10-*S Sensor DTM

The PH10-*S Sensor DTM allows you to calibrate, configure, or access the history log of a PH10-*S by connecting to a PC as a convenient alternative to the use of the 876PH-S transmitter. The DTM is not intended for use with a sensor installed in a process, but rather in a laboratory or instrument shop environment.

NOTE

When connected to a PC through the Smart Sensor PC Interface, the PH10-*S Sensor should not be inserted in grounded fluids (e.g., fluids in grounded metal pipes or vessels), but in isolated vessels such as glass or plastic beakers or bottles.

In addition to the instructions found in this chapter, you may find it helpful to refer to the 876PH-S instructions (MI 611-262) for detailed descriptions of sensor calibration, configuration, and history logs.

Installation Instructions

The steps to install the DTMs consist of:

- ◆ Downloading and Installing the Foxboro Smart Sensor PC Interface Driver.
- ◆ Downloading and Installing the Foxboro PH10 Smart PH Sensor DTM and the Foxboro Smart Sensor Interface Communications DTM.
- ◆ Adding the DTMs to PACTware.
- ◆ Configuring Both DTMs for PACTware.
- ◆ Recommended Method to Disconnect/Switch Sensors

NOTE

You can either use the links noted in the procedures in this section or use your PC50 CD.

Downloading and Installing the Foxboro Smart Sensor PC Interface Driver

1. Skip this step if you already have a Foxboro Smart Sensor Interface driver installed on your computer.
2. Go to http://iom.invensys.com/EN/Pages/Foxboro_MandI_DocTools_DeviceManagers.aspx and download the **FoxboroSmartInterfaceDriver.zip** file locally and extract all files.
3. Open the folder that the downloaded files were just extracted to, and run the x64 (for 64-bit drivers) or x86 (for 32-bit drivers) driver installation application. Follow the prompts to install. The system will display a message when installation is complete.

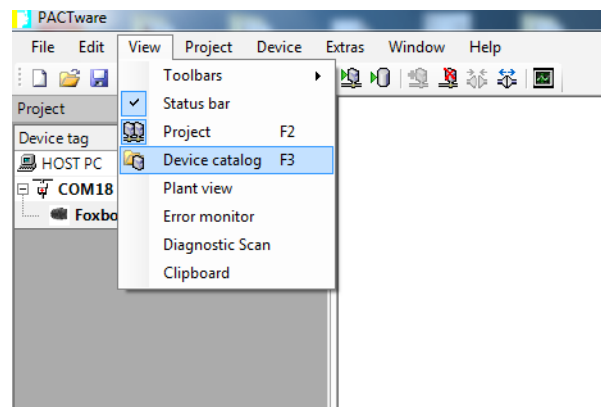
Downloading and Installing the Foxboro PH10 Smart PH Sensor and the Foxboro Smart Sensor Interface Communications DTMs

1. Go to http://iom.invensys.com/EN/Pages/Foxboro_MandI_DocTools_DeviceManagers.aspx and download PH10_S_DTM_100011.zip (or the most current version available.) The file includes both DTMs.
2. Extract all the files to your desktop and select the setup file.
3. Follow the installation instructions provided.

Adding the DTMs to PACTware

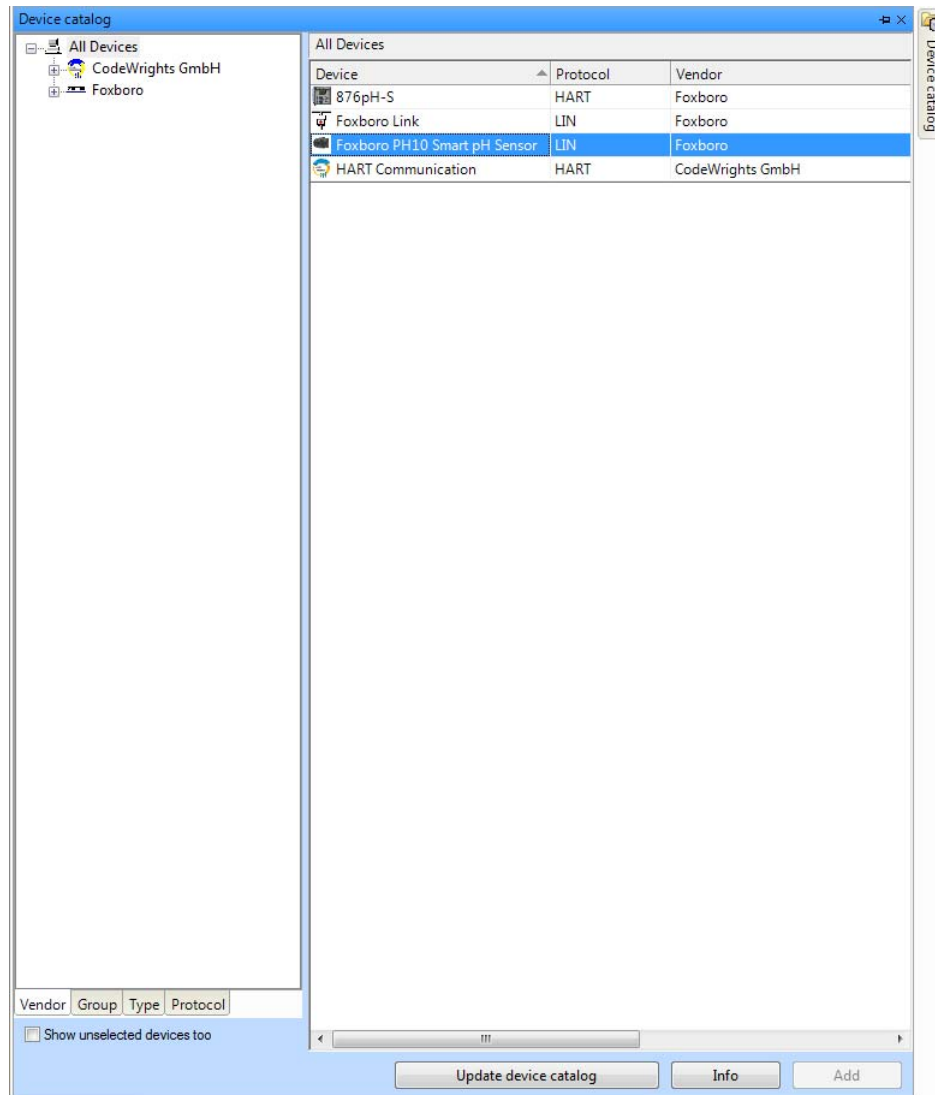
1. Run PACTware.
2. Before setting up any devices in PACTware, from the toolbar, go to View and select Device Catalog (see Figure 24). (Occasionally, it may need to be selected twice.)

Figure 24. View > Device Catalog



- Once the Device Catalog screen appears (or you click on the Device Catalog tab), select Update Device Catalog (see Figure 25). Wait a few minutes for all devices to load. If recently installed, a new device will appear in the list.

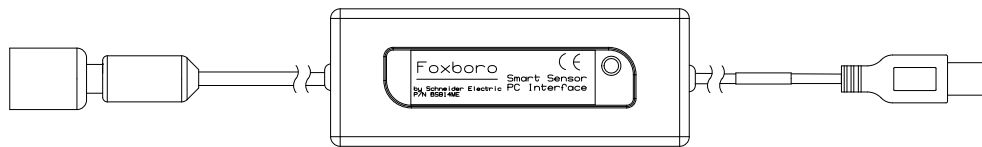
Figure 25. Update Device Catalog



Configuring Both DTMs for PACTware

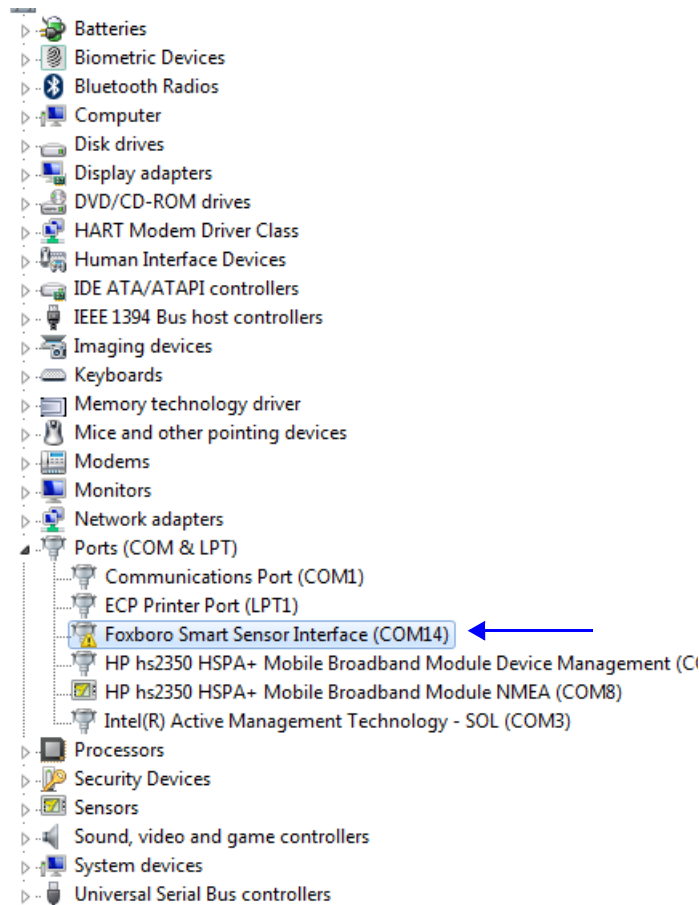
- Insert the USB end of the Foxboro Smart Sensor PC Interface cable into your computer. See Figure 26.

Figure 26. Foxboro Smart Sensor PC Interface Cable

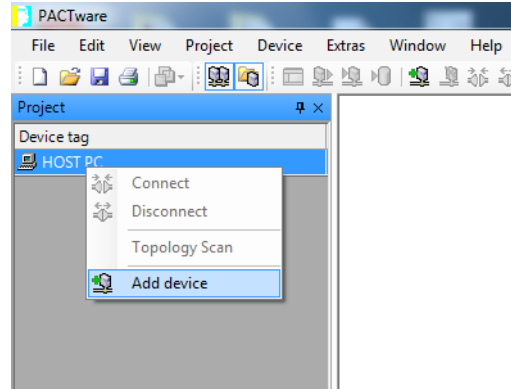


2. Attach the Smart connector end of the Interface cable to the PH10-*S sensor by aligning the pins and gently pushing until the sensor head locks into place. Turn the larger cap of the connector clockwise to secure the cable.
3. To find the correct COM port:
 - a. From the Start menu, click on Control Panel and select Hardware and Sound.
 - b. Select Device Manager.
 - c. When the Device Manager pops up, click on ports to expand it and locate which COM port the Foxboro Smart Sensor Interface is connected to. (See Figure 27.)

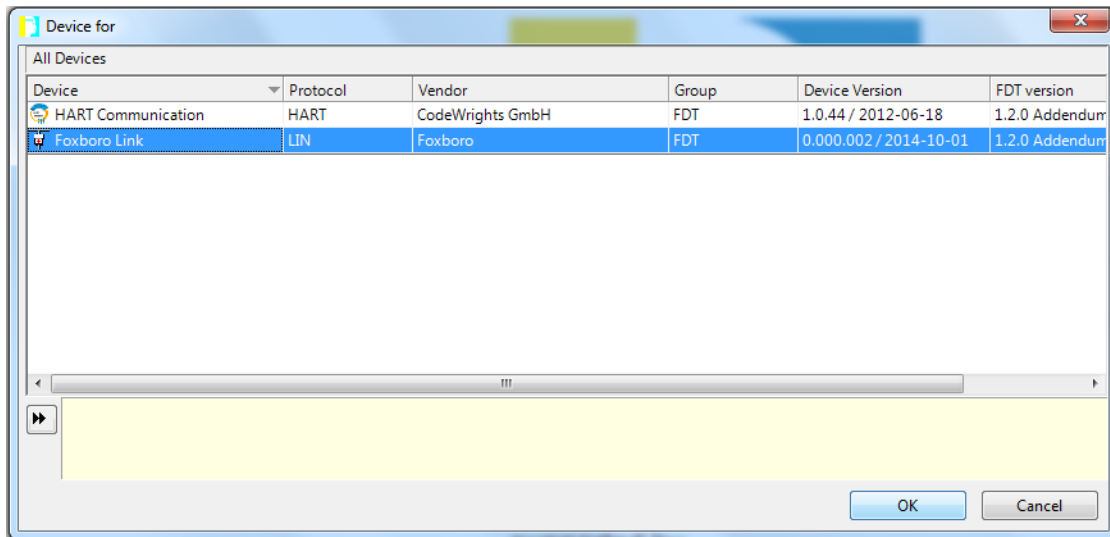
Figure 27. COM Port



4. From PACTware, right click on HOST PC and select Add Device (see Figure 28).

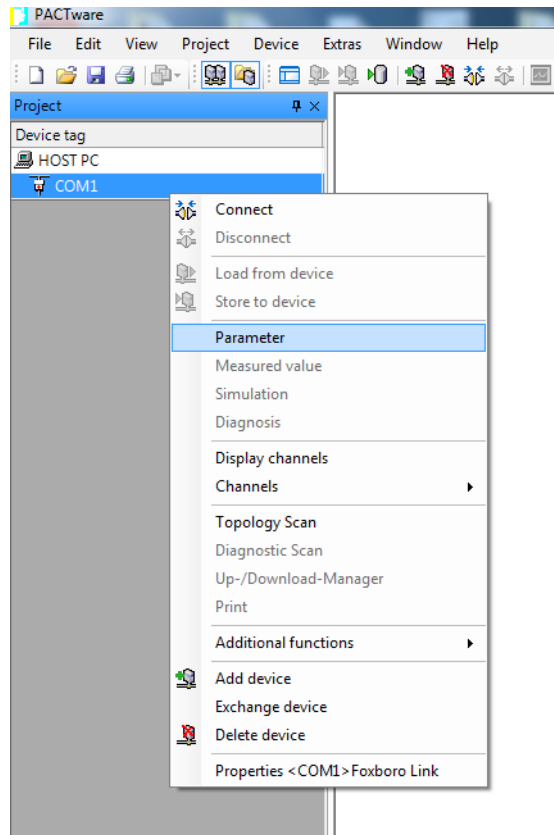
Figure 28. HOST PC > Add Device

- From the list of devices that are connected to your computer, select Foxboro Link and select OK (see Figure 29).

Figure 29. Select Foxboro Link and Select OK

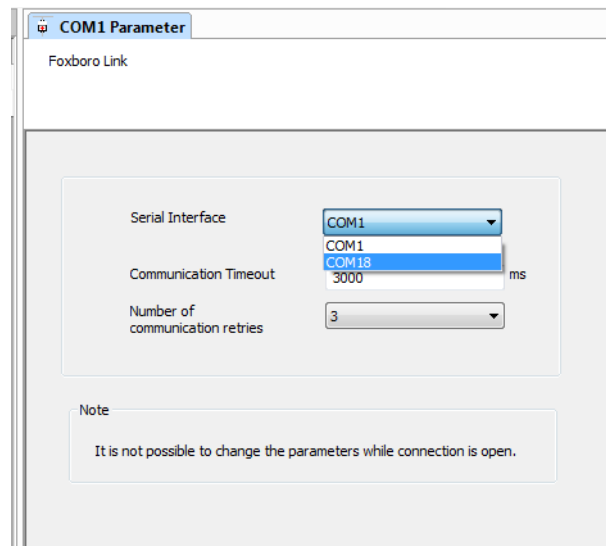
- Either double-click on the Foxboro Link DTM or right-click and select Parameter (see Figure 30).

Figure 30. Select Parameter



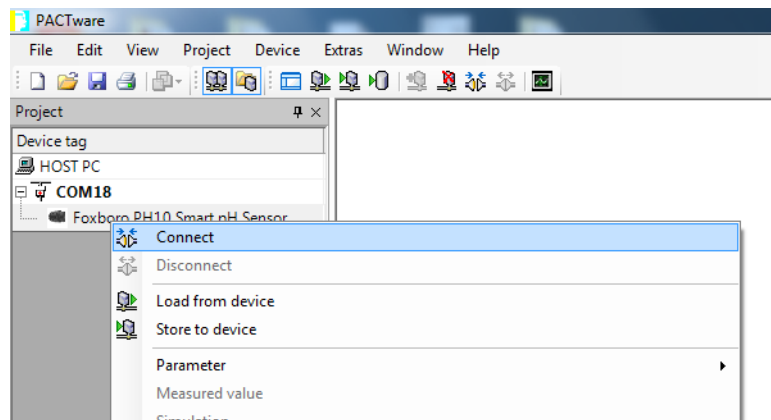
7. Select the correct COM port from Serial Interface (see Figure 31) and then select OK to apply changes.

Figure 31. Select the Correct COM Port



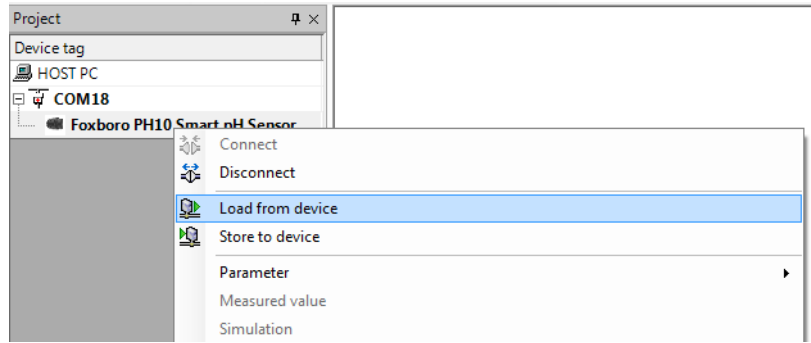
8. Right-click the Foxboro Link DTM. Select Add Device.
9. From the list of devices, select Foxboro PH10 Smart PH Sensor DTM.
10. Right click on the Foxboro PH10 Smart PH Sensor DTM just added and select Connect (see Figure 32).

Figure 32. Right Click on the Foxboro PH10 Smart PH Sensor DTM and Select Connect



11. Wait for the connection and then right click on the device and select Load From Device (see Figure 33).

Figure 33. Right Click on Device and Select Load From Device

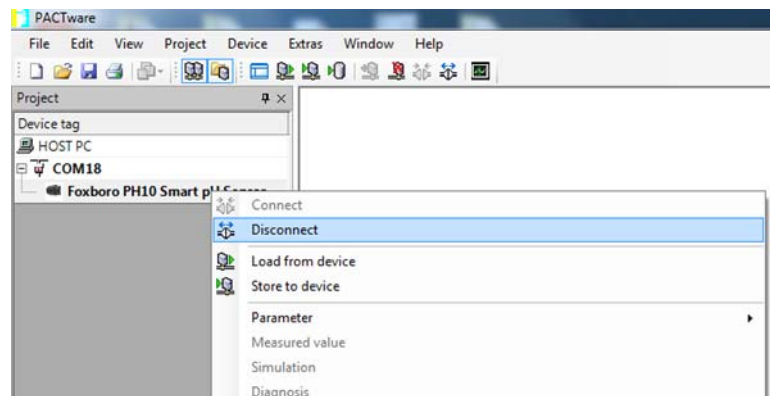


12. Loading may take a while but once it is done, double click on the device to view the screen, if necessary, select Device Configuration and enter password 0800.

Recommended Method to Disconnect/Switch Sensors

1. Right click on the Foxboro PH10 Smart PH Sensor DTM and select Disconnect (see Figure 34).

Figure 34. Select Foxboro PH10 Smart pH Sensor and Select Disconnect



2. Wait for the sensor to completely disconnect from the DTM.
3. After the sensor has disconnected from the DTM, physically disconnect the sensor the PC Interface by turning the large cap counter clockwise and gently pulling the connector out of the sensor head.
4. To connect another sensor to the DTM, physically connect the sensor to the PC Interface, right click on the Foxboro PH10 Smart PH Sensor DTM and select Connect.
5. As long as the sensor was properly disconnected first, the DTM should automatically load from device.
6. If the DTM does not load automatically, select Load from device in order to insure that last calibration information is up to date.

Using the DTM

This section provides an overview of the DTM as well as instructions for using the DTM.

Sensor Overview

The Sensor Overview screen displays sensor information and includes charts for the PH, Absolute, and Temperature values. Glass and Reference charts are shown when, respectively, Broken Glass and Coated Reference are checked in the Diagnostic Configuration.

— NOTE

1. Several fields display on multiple screens. When a field is updated on any screen, it is reflected on all the remaining screens.
2. When changing fields, you must click “Apply” for the changes to be effective.

Figure 35. Sensor Overview



Process Variables

Glass and Reference charts are shown when, respectively, Broken Glass and Coated Reference are checked in the Diagnostic Configuration Report. Temperature unit is set on the Temperature screen, so when the Temperature is set to degF, the temperature value is reflected.

Figure 36. Process Variables

Variable	Value	Unit
pH	8.1073	pH
Absolute	-56.8035	mV
Temperature	23.6540	degC
Glass	2216.8521	kOhm
Reference	208.1896	kOhm

Sensor Configuration

The Sensor Configuration contains the following subscreens to configure the sensor:

- ◆ General Variables
- ◆ Measurement Variables
- ◆ Temperature Variables
- ◆ Temperature Compensation Variables
- ◆ Diagnostic Configuration Variables
- ◆ Passcode Access Variables

General

Before any configuration or calibration changes can be made, the password must be entered and applied on this screen. The default password for sensors is "0800". The General screen also displays the measurement and temperature type while allowing the user to change the damping time anywhere from 0-300 seconds for manual calibrations.

Figure 37. General Screen

The screenshot shows a software interface window titled "General". It is divided into two main sections: "Access" and "General".

- Access Section:** Contains a "Password" field with four black dots indicating a masked password.
- General Section:** Contains three configuration fields:
 - "Measurement Type" is set to "pH".
 - "Temperature Type" is set to "2 Wire Pt 1000".
 - "Damping" is set to "0.0000" with the unit "seconds" displayed to the right of the input field.

At the bottom of the window, there are three buttons: "OK", "Cancel", and "Apply".

Measurement

The measurement screen displays the measurement unit and allows the user to choose a pH resolution in the tenths place or the hundredths. The damping selection allows the user to choose a damping time between 0-300 seconds for manual calibration.

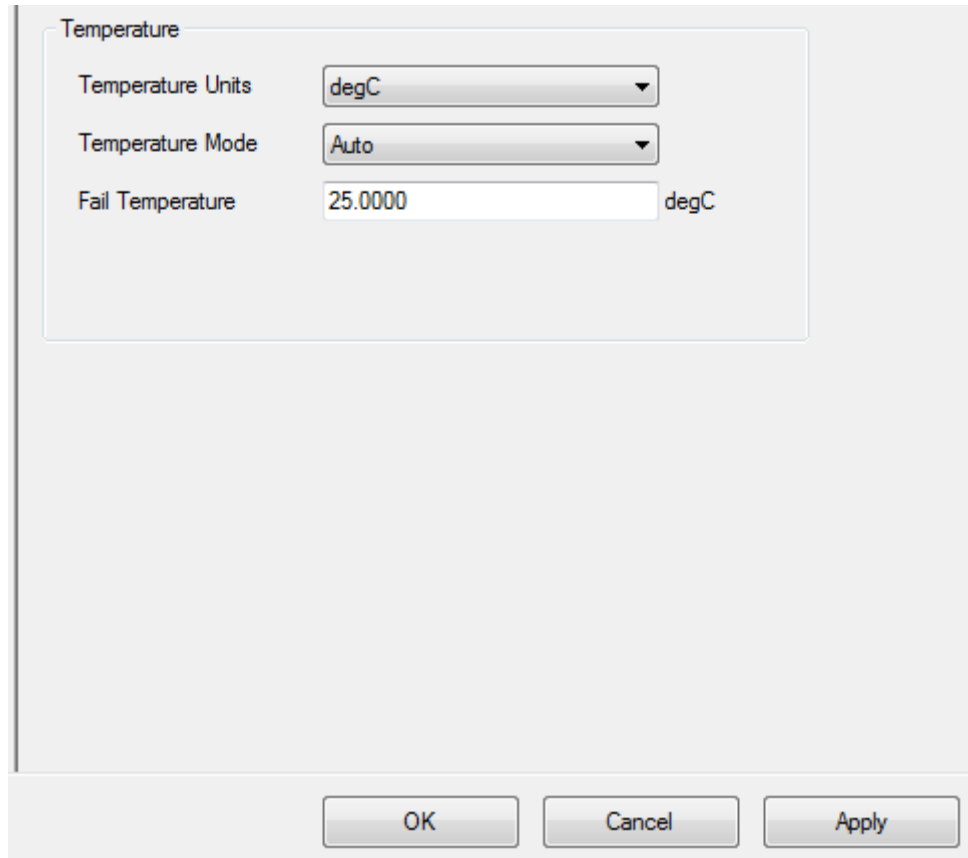
Figure 38. Measurement Screen

The screenshot shows a software interface for configuring measurement parameters. It is divided into two main sections: 'Measurement Unit' and 'Damping'.
In the 'Measurement Unit' section, there are two controls: a text box labeled 'Measurement Unit' containing the text 'pH', and a dropdown menu labeled 'pH Resolution'. The dropdown menu is currently open, showing three options: '0.01' (which is highlighted in blue), '0.1', and '0.01'.
In the 'Damping' section, there is a text box labeled 'Damping' containing the value '0.0000', followed by the unit label 'seconds'.
At the bottom of the window, there are three buttons: 'OK', 'Cancel', and 'Apply'.

Temperature

The temperature screen allows the user to choose from auto or manual mode, and Celsius or Fahrenheit. Within Auto mode, a fail temperature can be set up. The fail temperature will be output whenever an error in the sensor causes a temperature failure.

Figure 39. Temperature Screen

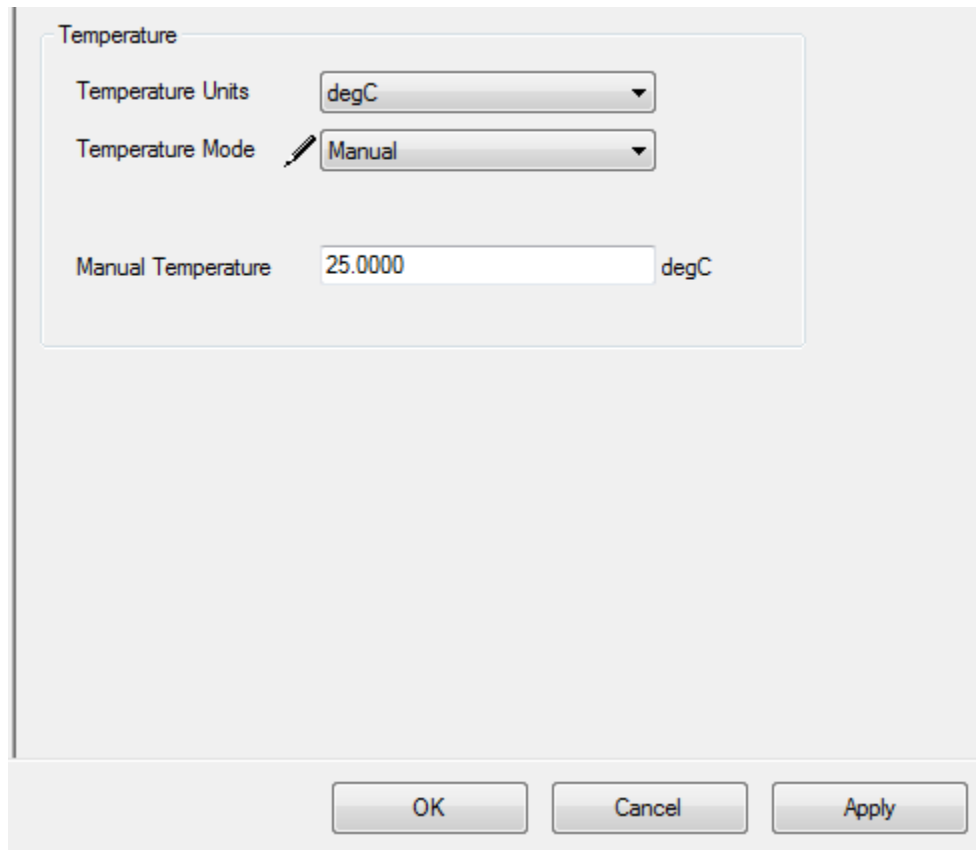


The screenshot shows a dialog box titled "Temperature". It contains three configuration options:

- Temperature Units:** A dropdown menu currently showing "degC".
- Temperature Mode:** A dropdown menu currently showing "Auto".
- Fail Temperature:** A text input field containing "25.0000" followed by a "degC" label.

At the bottom of the dialog box are three buttons: "OK", "Cancel", and "Apply".

Within manual mode, a manual temperature can be set up. In manual mode, no temperature readings are collected and the sensor emits the manual temperature as the real or current temperature.

Figure 40. Temperature Screen - Manual Temperature

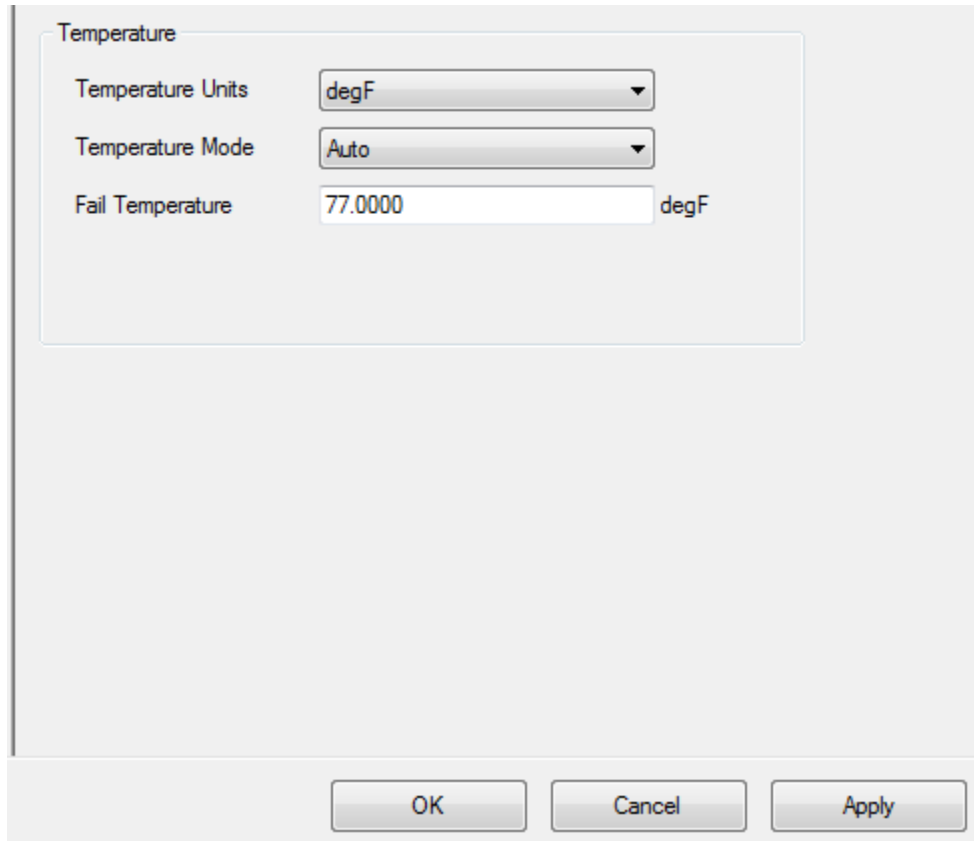
The screenshot shows a dialog box titled "Temperature" with the following fields and controls:

- Temperature Units:** A dropdown menu currently set to "degC".
- Temperature Mode:** A dropdown menu with a pencil icon, currently set to "Manual".
- Manual Temperature:** A text input field containing "25.0000" followed by the unit "degC".

At the bottom of the dialog box are three buttons: "OK", "Cancel", and "Apply".

When the temperature screen is set to degrees Fahrenheit, the apply button must be selected before the fail/manual temperature or any other temperature within the program will be converted.

Figure 41. Temperature Screen - Degrees Fahrenheit



The image shows a software dialog box titled "Temperature". It contains three configuration options:

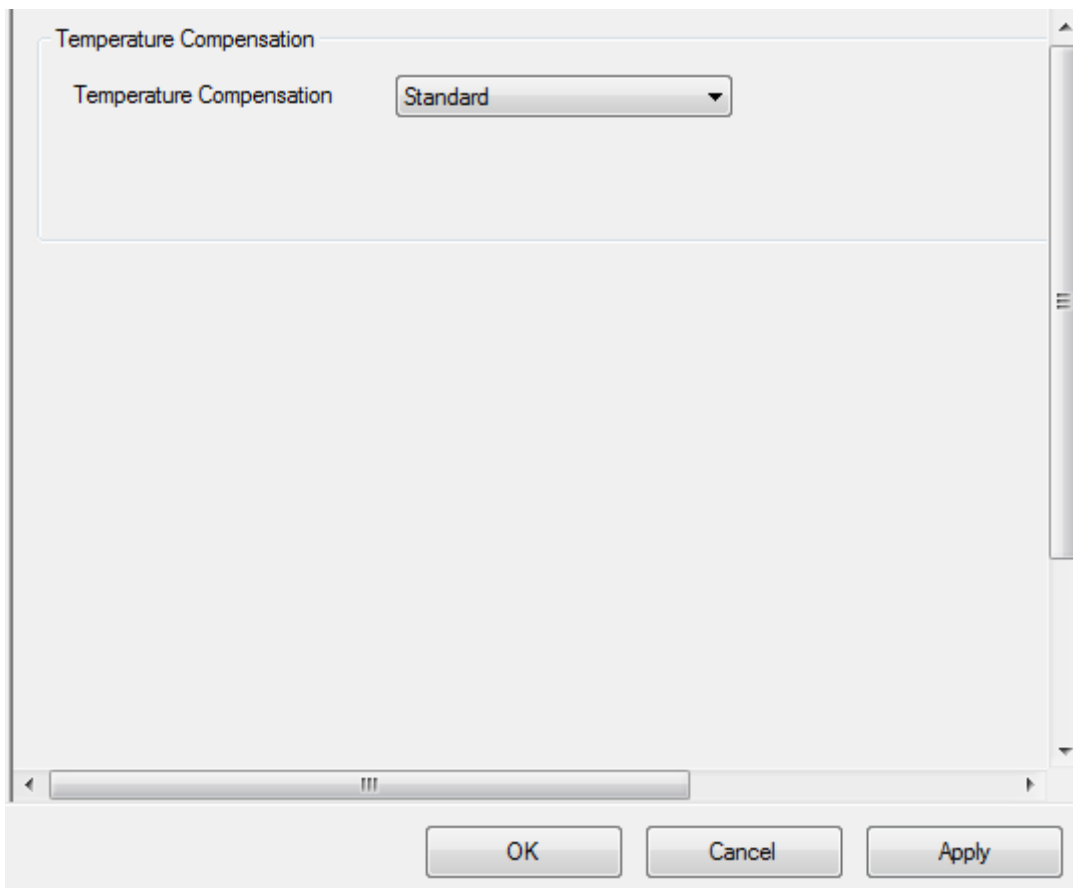
- Temperature Units:** A dropdown menu currently set to "degF".
- Temperature Mode:** A dropdown menu currently set to "Auto".
- Fail Temperature:** A text input field containing the value "77.0000", followed by the unit "degF".

At the bottom of the dialog box, there are three buttons: "OK", "Cancel", and "Apply".

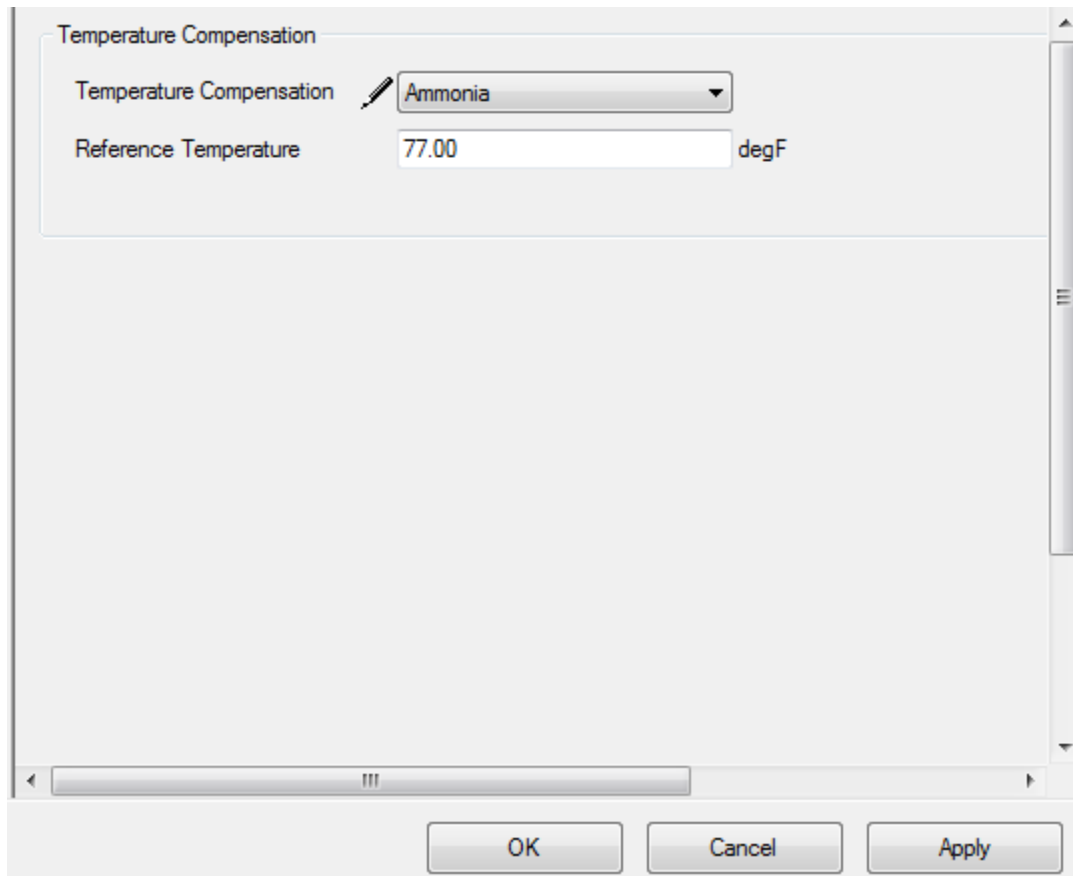
Temperature Compensation

The user can choose between three options in the temperature compensation screen: Standard, Ammonia, and Custom.

Figure 42. Temperature Compensation Screen - Standard



In standard temperature equation, the program applies the Nernst equation.

Figure 43. Temperature Compensation Screen - Ammonia

The screenshot displays a software window titled "Temperature Compensation". Inside the window, there is a section with the following elements:

- A label "Temperature Compensation" followed by a pencil icon and a dropdown menu currently showing "Ammonia".
- A label "Reference Temperature" followed by a text input field containing the value "77.00" and the unit "degF".

At the bottom of the window, there are three buttons: "OK", "Cancel", and "Apply".

With the ammonia selection the user must enter a reference temperature. This selection compensates for trace amounts of ammonia.

Figure 44. Temperature Compensation Screen - Custom

	Temperature (degF)	Value (pH)
1.	-22.0000	7.1000
2.	392.0000	7.0000

In custom, the user can input anywhere from 2 to 21 points of data to plot a measurement curve for a particular solution. The reference temperature must be within the points inputted and the temperature can range from -30 to 200 degrees Celsius.

Diagnostic Configuration

Figure 45. Diagnostic Configuration Screen

The screenshot displays the Diagnostic Configuration screen, which is divided into two main sections: 'Diagnostics' and 'Diagnostic Limits'.

Diagnostics: This section contains a list of diagnostic options, each with a checkbox. The options are:

- Leakage
- ATC Short
- ATC Open
- Compensation Range
- Measurement Range
- Low Slope
- Coated Reference
- Broken Glass
- Aging

Diagnostic Limits: This section contains four input fields, each with a numerical value and a unit:

- Glass Low Limit: 1.000 MOhm
- Glass Cutoff: 122.00 degF
- Slope Limit: 80.0 %
- Coat Limit: 40 kOhm

At the bottom of the screen, there are three buttons: 'OK', 'Cancel', and 'Apply'.

When Low Slope is selected as a diagnostic, a slope limit must be entered. If the slope falls below this percentage an error will appear on the Faults screen after you select Faults. A Glass low limit and glass cutoff must be entered if the Broken Glass diagnostic is selected. Selecting this diagnostic will cause glass values to appear on the Process Variables, Sensor Status, as well as the Sensor Overview screen. If the Coated Reference diagnostic is selected then a coat limit must be entered. This diagnostic is also linked to the reference values on the Sensor Overview, Sensor Status, and Process Variable screens.

Passcode Access

The Passcode Access screen is only visible after the admin password has been imputed and applied in the General Configuration screen. Within this Passcode Access screen both the admin and the user password can be set. The default for both of these passwords is "0800". The User View Access allows the admin to set sections which the user can view but not edit. The User Change Allowed is where the admin can select the sections where the user can both edit and view.

Figure 46. Passcode Access Screen

The screenshot shows a software interface for setting passcodes and user permissions. It is divided into three main sections:

- Passcodes:** Contains two input fields. The first is labeled "Admin Passcode" and the second is labeled "User Passcode". Both fields contain four black dots, indicating masked text.
- User Change Allowed:** A list of checkboxes for permissions. The checked items are: Calibration, PV Configuration, Measurement Configuration, and Temperature Compensation. The unchecked items are: Clear History, Diagnostic Settings, and Calibration Buffers.
- User View Access:** A list of checkboxes for view permissions. All items are checked: Calibration Buffers, Temperature Compensation, Temperature Compensation Table, and Diagnostic Settings.

At the bottom of the screen, there are three buttons: "OK", "Cancel", and "Apply".

Calibration

Parameters

In the calibration parameters screen, data from the last calibration and the calibration points can be viewed. The stability and smart calibration buffers can also be selected. The stability can be set from 25-1000%, the lower the stability, the more accurate the calibration and the longer the calibration time. The smart calibration buffers that can be chosen are American, NSIT, European, DIN, MERCK, JIS 8802, or User Selectable.

Figure 47. Calibration Parameters Screen

Cal Parameters		Last Calibration	
Stability	100 %	Measurement Calibration Date	04/3/2015
Smart Calibration Buffers	American	Measurement Calibrated by	KAW
		Temperature Calibration Date	
		Temperature Calibrated by	
		Calibrated Slope	-59.25 mV/pH
		Calibration Slope Percent	100.1473 %
		Calibration Response Time	14 seconds
		Asymmetry	-0.1456 mV
		Calibration Points	
		Absolute High	-4.72 mV
		Absolute Low	-0.47 mV
		Measurement High	7.01 pH
		Measurement Low	7.01 pH

When User Selectable is chosen, a list of 7 buffers appear and the user can go through and choose the buffers that he/she is going to use within their calibration. The buffers chosen must be entered in ascending orders of pH value, and at least 2pH apart. If custom pH is one of these buffers chosen a separate screen for this buffer solution will appear under the Calibration heading on the list to the left.

Figure 48. Calibration Parameters - Buffers

	Temperature (degC)	Value (pH)
1.	20.0000	7.0200
2.	25.0000	7.0000

Similar to the custom Temperature Compensation screen mentioned above, the custom pH buffer screen requires a list of temperatures and their corresponding pH values for this particular buffer. The number of points needed is from 1-21, and the temperature values can be set from -30 to 200 degrees Celsius, but must be in ascending order. A nominal pH value must be entered as well, that is somewhere within the range of the pH values of the points entered.

Calibrate

The calibrate screen allows the user to calibrate the sensor through this software. The date of calibration is given and the name of the calibrator must be entered. The calibration can be either temperature or measurement. The number of calibration points spans from 1-2 for temperature and 1-5 for measurement. The type of calibration can also be chosen as Smart, Manual, and Process. Smart can only be used if the type of calibration is Measurement. Process can only be used if the type of calibration is Measurement and the Temperature Compensation is either Custom or Ammonia on Temp Compensation screen.

Figure 49. Calibration Setup

Warning: Loop should be removed from automatic control.

Calibration Setup

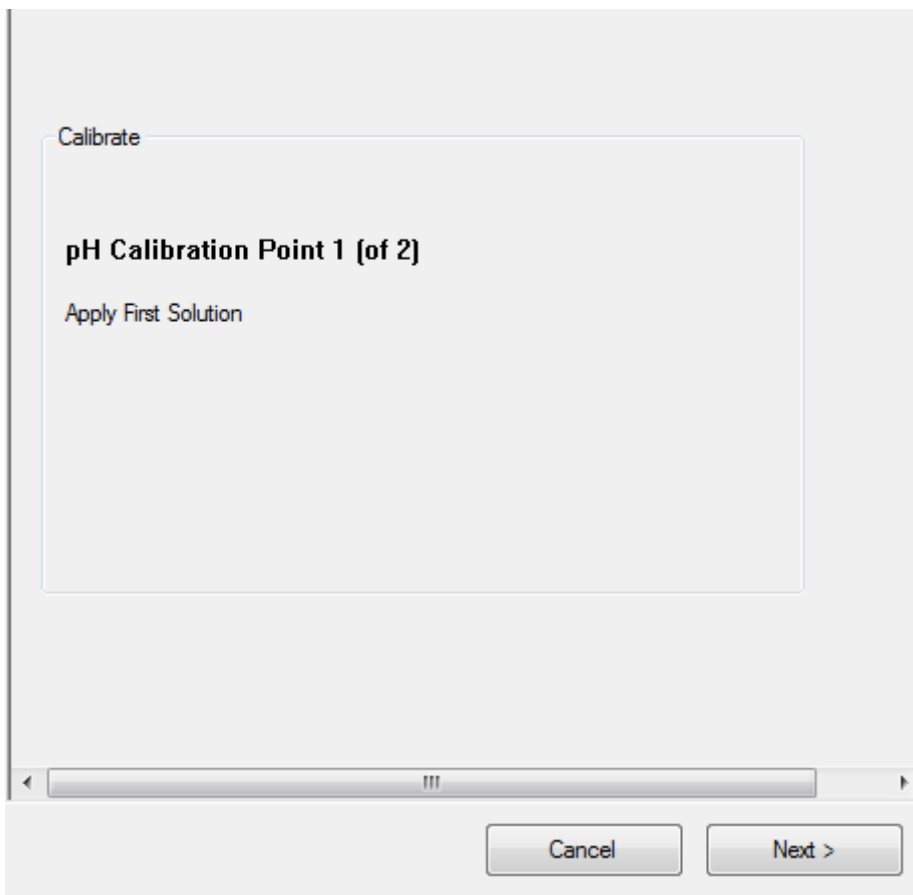
Date of Calibration	23/01/2015
Name of Operator	<input type="text" value="Katy"/>
Calibrate	<input type="text" value="Measurement"/>
Number of Calibration Points	<input type="text" value="2"/>
Type of Calibration	<input type="text" value="Manual"/>

OK Cancel Next >

After setting the type of Calibration to Measurement and Smart and the number of calibration points to 2, the procedure for calibrating measurement is as follows:

1. Select the next button on the calibrate screen, and this screen can then be viewed.

Figure 50. Calibration - Step 1



2. Place the sensor within a 7.01pH solution and click Next.

Figure 51. Calibration - Step 2

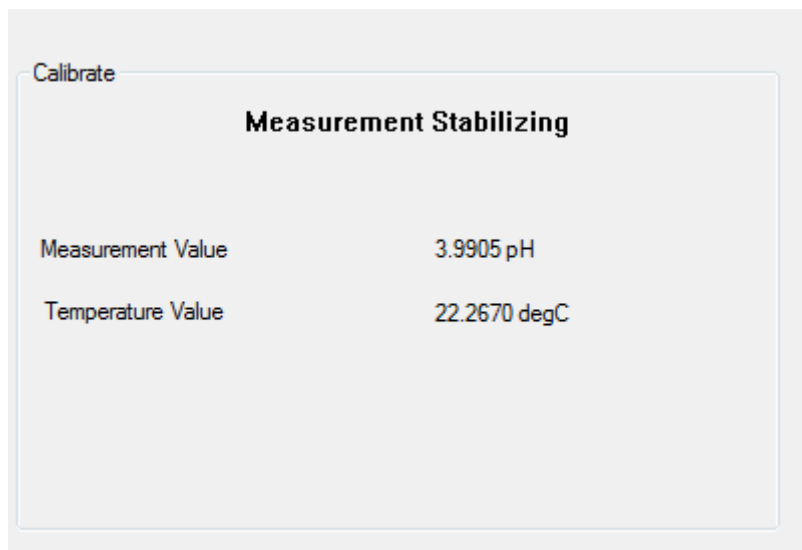
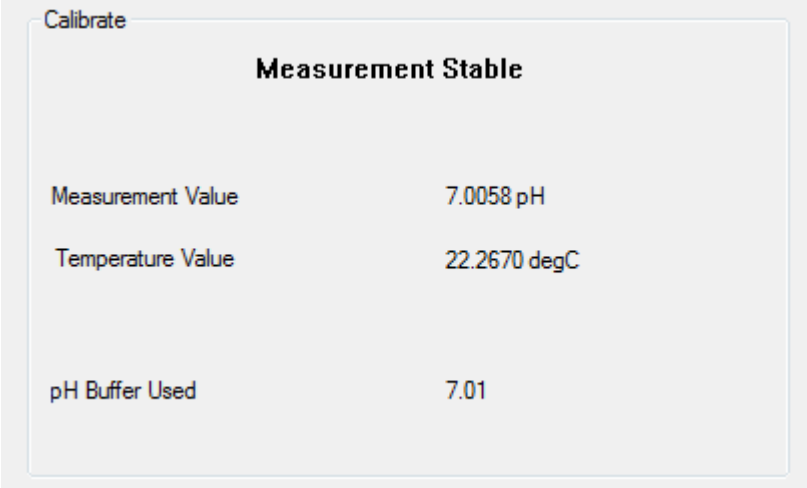
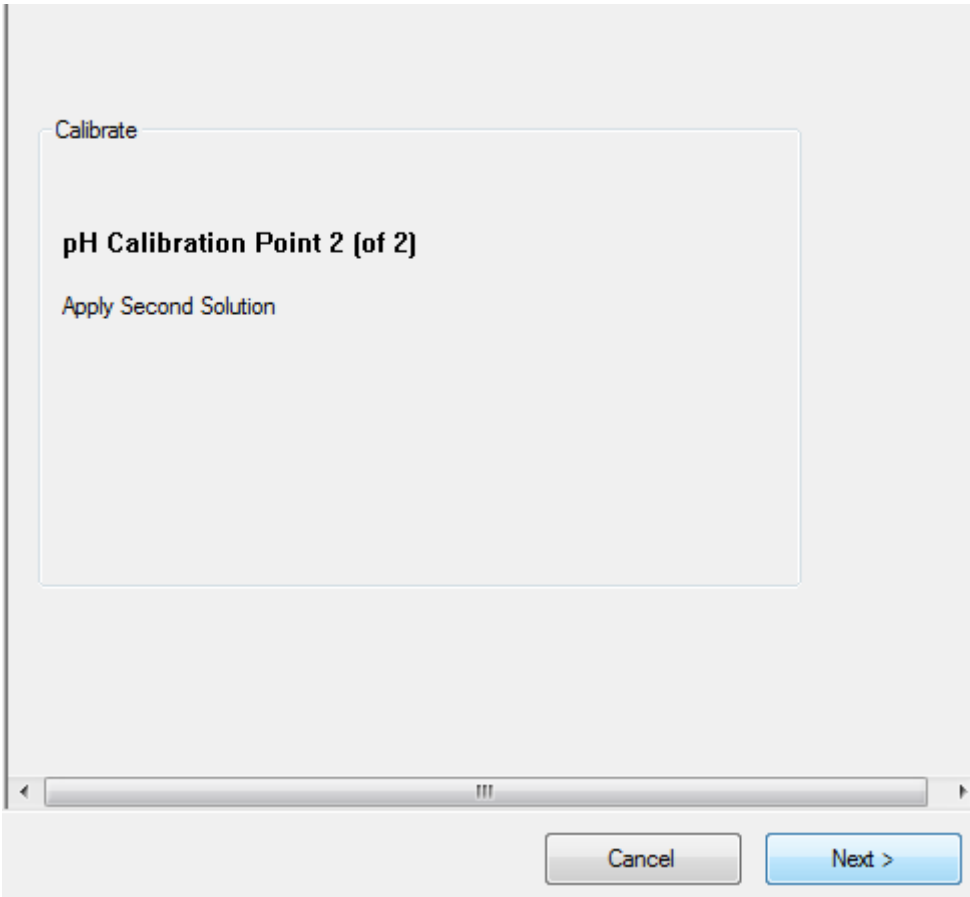


Figure 52 displays once the measurement stabilizes.

Figure 52. Calibration - Step 3

Measurement Stable	
Measurement Value	7.0058 pH
Temperature Value	22.2670 degC
pH Buffer Used	7.01

3. Click Next.

Figure 53. Calibration - Step 4

Calibrate

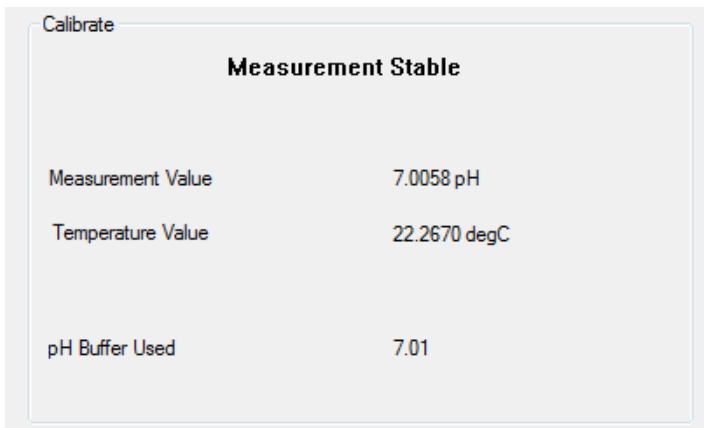
pH Calibration Point 2 (of 2)

Apply Second Solution

Cancel Next >

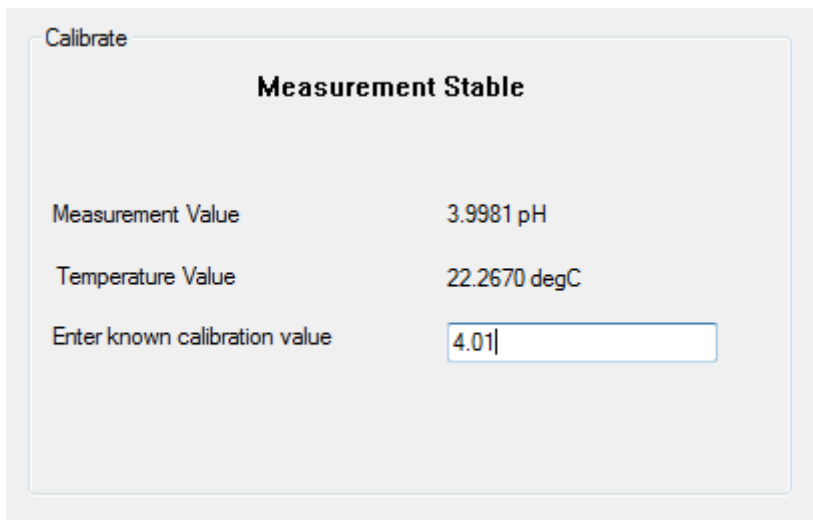
4. Applying a 4.01pH solution and selecting next and waiting for the measurement to stabilize will cause the system to display a Measurement Stable message.

Figure 54. Calibration - Step 5



If this was a Manual calibration instead of a Smart Calibration Figure 55 would be the one to appear as would a similar one for the first point.

Figure 55. Calibration - Step 6



Instead of waiting for a pH value to appear, manually input the pH value.
Both Smart and Manual calibration will display the screen shown in Figure 56.

Figure 56. Calibration - Step 7

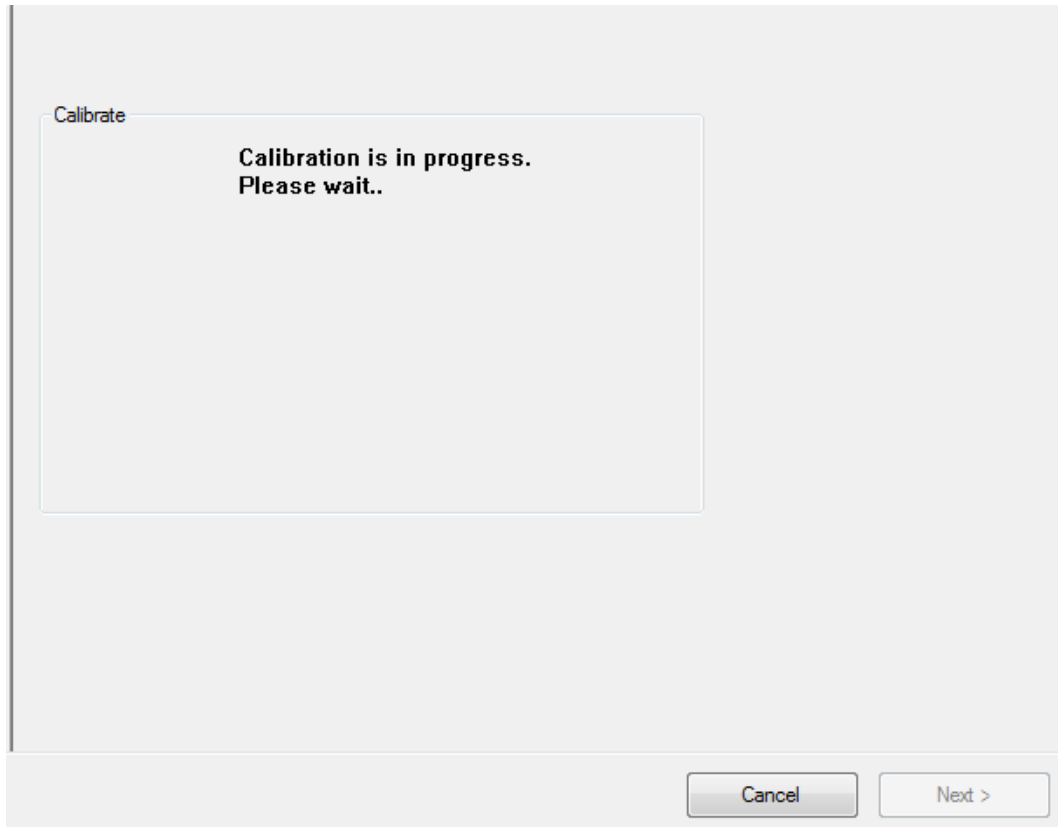
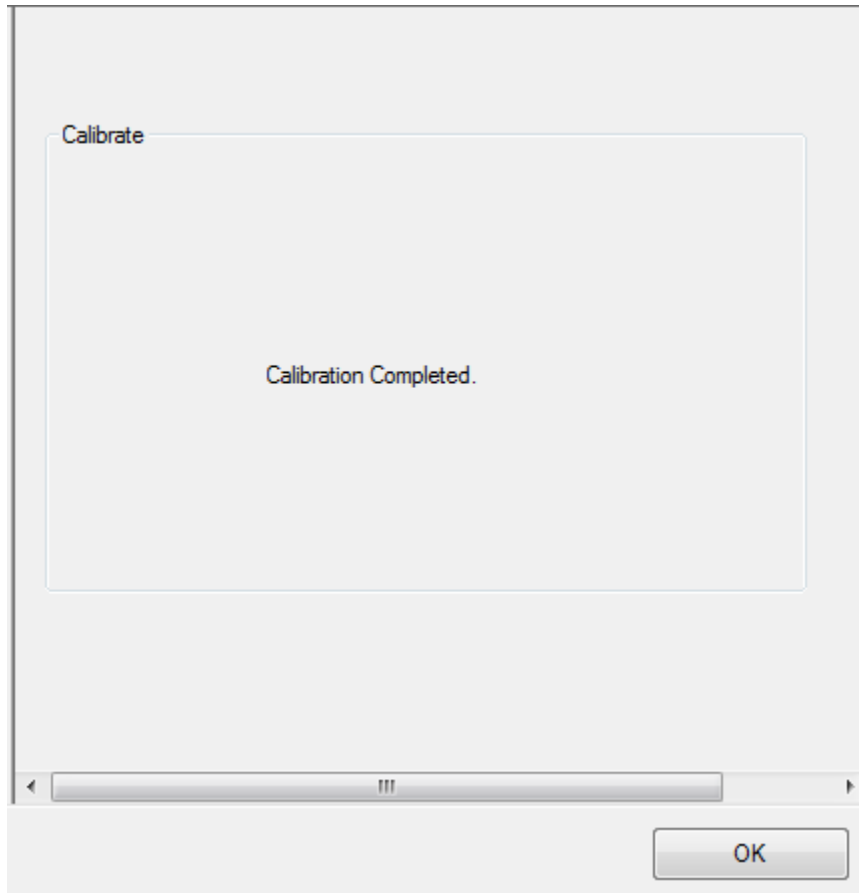


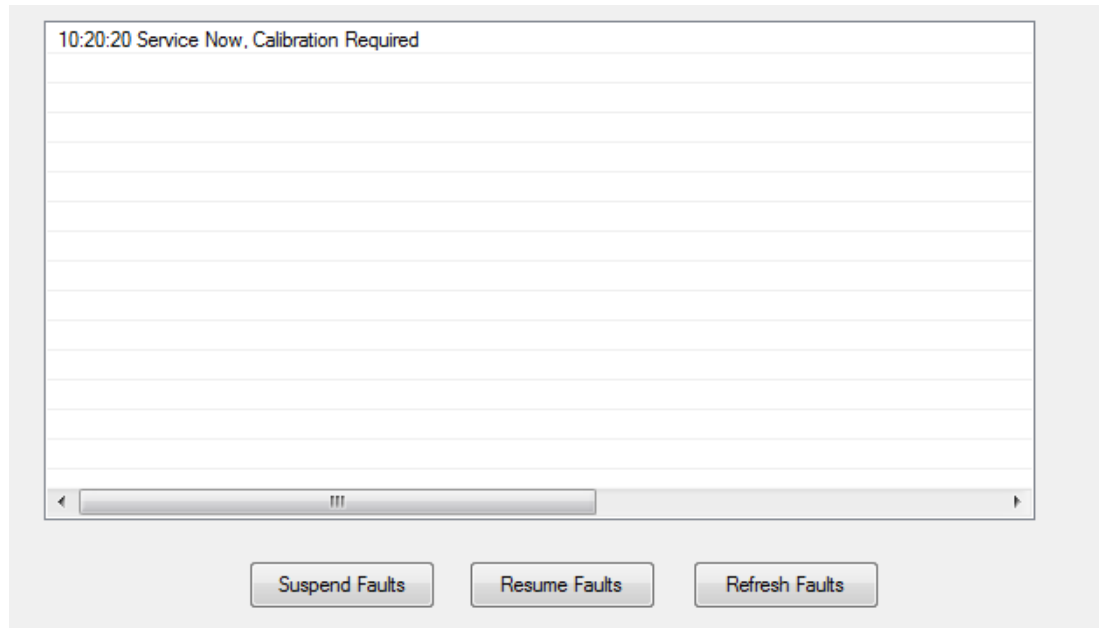
Figure 57. Calibration Complete



Faults

The Suspend Faults button will stop all faults from appearing for an hour. Resume Faults will resume these faults before the hour is up. Refresh Faults will cause the faults that are located on the sensor to appear.

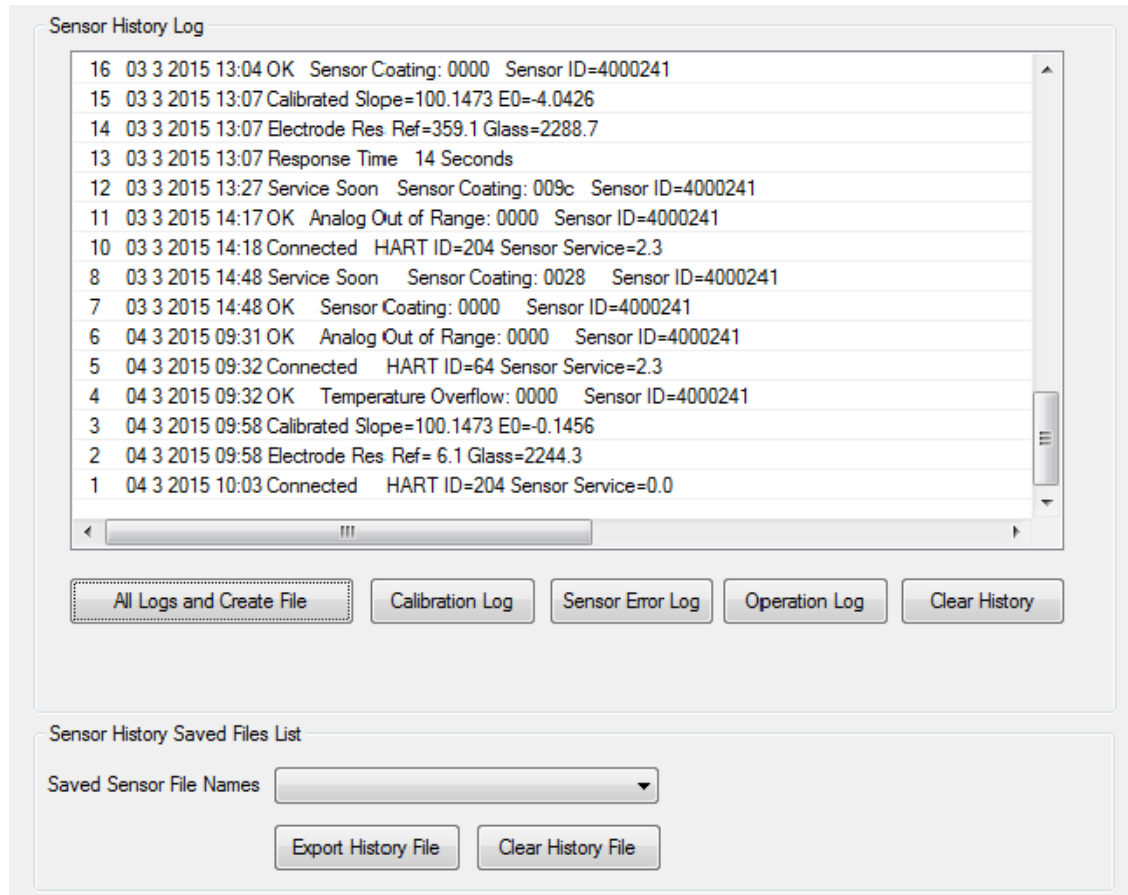
Figure 58. Faults



Sensor History Log

The sensor history log shows all the sensor related faults, calibration, configuration, hold entries, as well as faults that have been suspended.

Figure 59. Sensor History Log

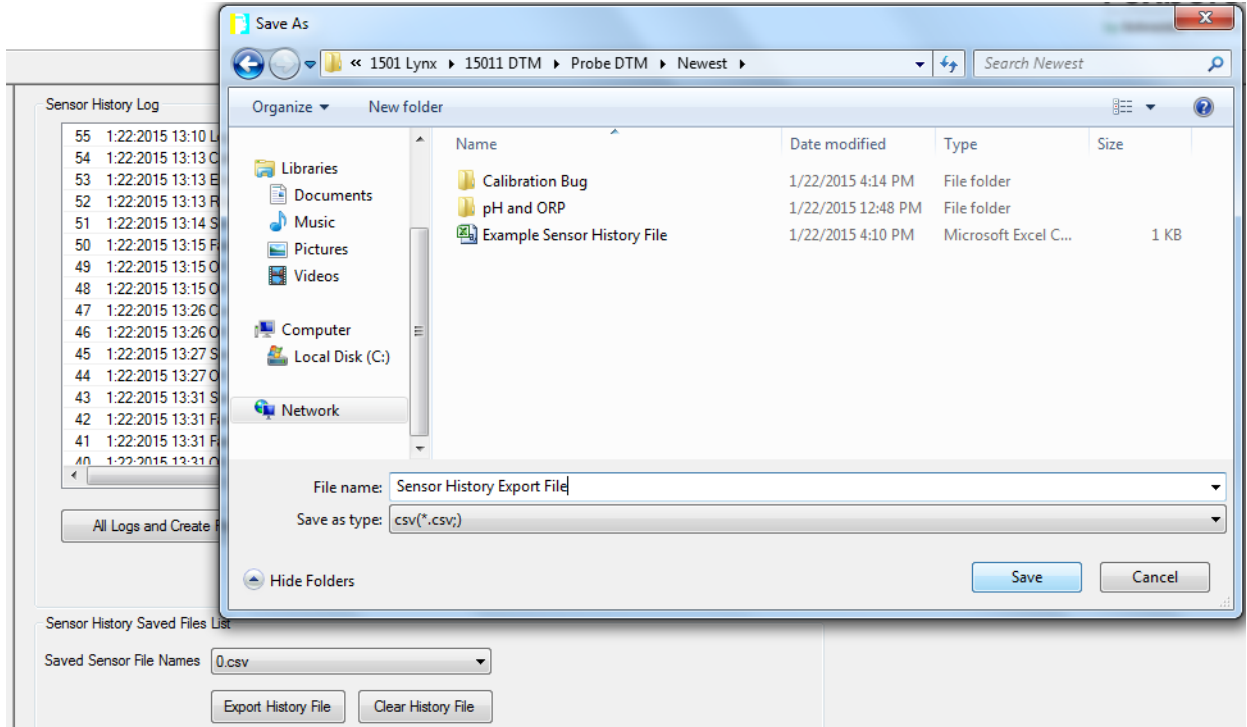


Selecting "All Logs and Create File" records all sensor logs. It also saves these logs as the name of the sensor in the Sensor History Saved Files List. From this list the sensor logs can be exported as a csv file.

In Figure 59, two different HART IDs are listed within the Sensor History Log. These HART IDs apply to different DTM's and allow the user to see when the sensor was connected to that particular DTM. From that information, you can determine what actions within the Sensor History Log were performed on what DTM. Some entries within the Sensor History Log also show the Sensor ID. Each sensor has its own unique ID and the DTM is able to read these IDs and stores the history for the sensors according to the individual Sensor IDs to prevent corruption of the Sensor History Log.

Refer to 876PH-S Transmitter MI 611-262 for interpretation of the history log fields.

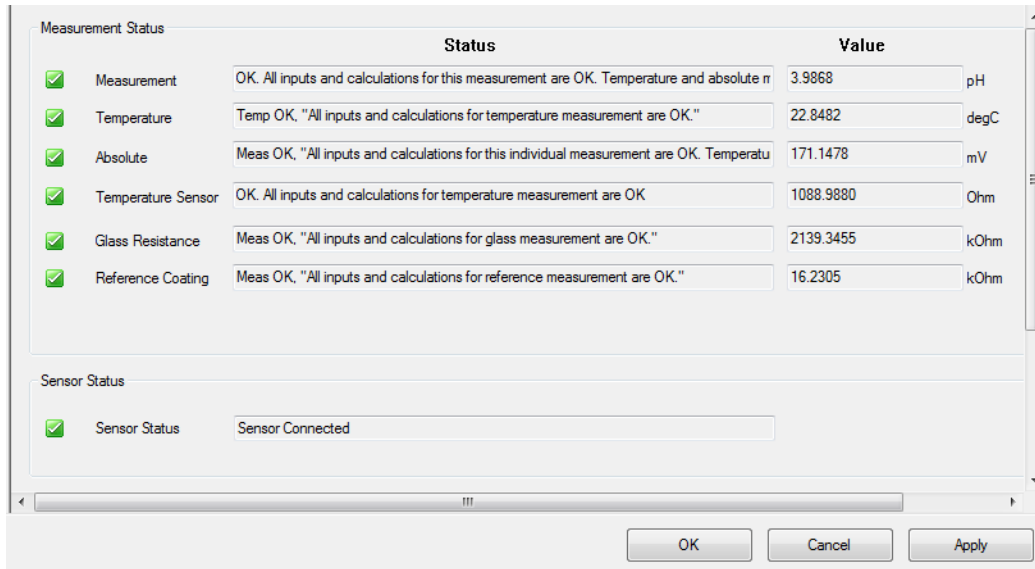
Figure 60. Export the Sensor History Log to .csv File



Sensor Status

The Sensor Status screen displays the values and statuses of the measurements that are available in the sensor. A green checkmark means good, a yellow triangle indicates a warning, and a red x mark indicated an error.

Figure 61. Sensor Status Screen



In order for Glass Resistance and reference coating to appear in the sensor status screen, the Broken Glass and Coating Reference must be checked in the Diagnostic Configuration screen.

Configuration Report

The Configuration Report captures the data for the timeframe that you ran the report. See Figure 62.

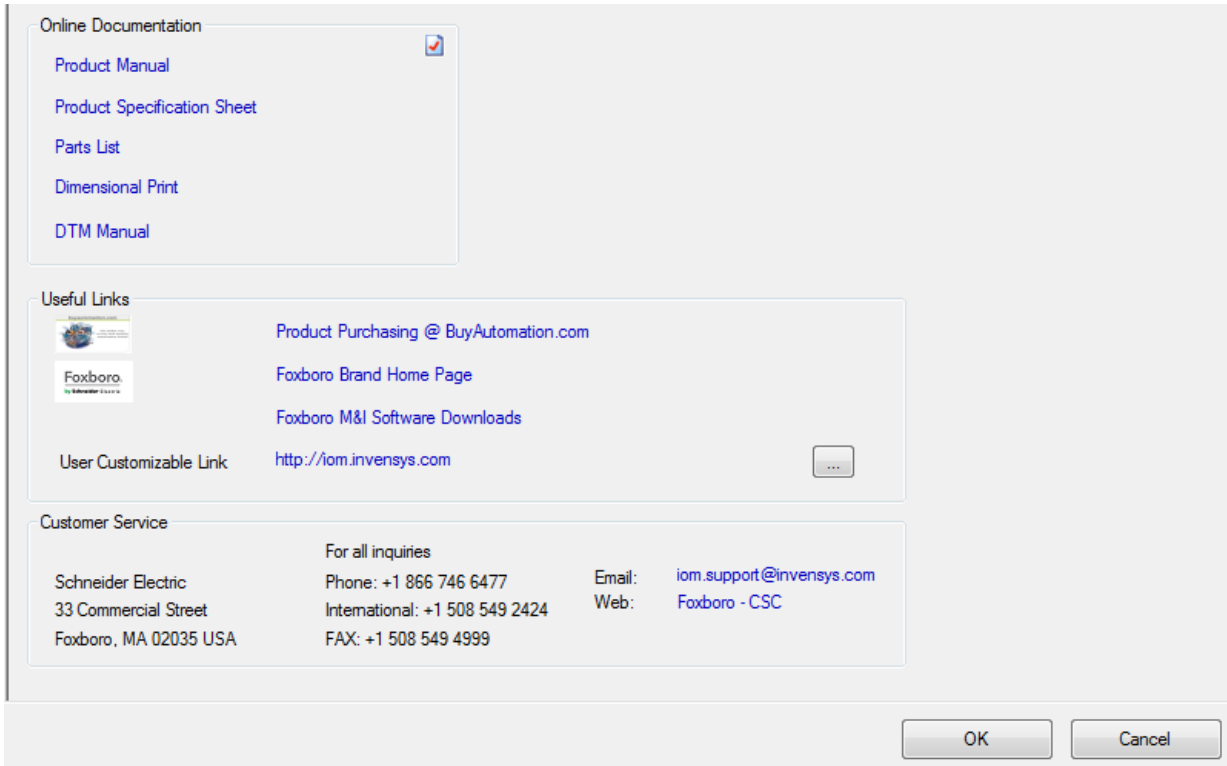
Figure 62. Full Configuration Report

 by Schneider Electric	
PH10 Smart pH Sensor DTM Configuration Report	
Current Date and Time	04/03/2015 10:42
Measurement	
pH Resolution	0.01
Damping	0.0000 seconds
Temperature	
Temperature Units	degC
Temperature Mode	Auto
Fail Temperature	25.0000 degC
Temperature Compensation	
Temperature Compensation	Standard
Diagnostic Configuration	
Leakage	YES
ATC Short	YES
ATC Open	YES
Compensation Range	YES
Measurement Range	YES
Low Slope	YES
Coated Reference	YES
Broken Glass	YES
Aging	YES
Glass Low Limit	1.000 MOhm
Glass Cutoff	50.00 degC
Slope Limit	80.0 %
Coat Limit	40 kOhm
Passcode Access	
User Change Allowed:	
Calibration	Access Allowed
Clear History	Not Allowed
Diagnostic Settings	Not Allowed
PV Configuration	Access Allowed
Measurement Configuration	Access Allowed
Temperature Compensation	Access Allowed
Calibration Buffers	Not Allowed
User View Access:	
Calibration Buffers	Viewable
Temperature Compensation	Viewable
Temperature Compensation Table	Viewable
Diagnostic Settings	Viewable
Calibration Parameters	
Stability	100 %
Smart Calibration Buffers	American
DTM Information	
Version Number	1.000.010
User Level	OEM Service
Scratch Pad	
Scratch Pad Note	
<input type="button" value="Save"/> <input type="button" value="Print"/> <input type="button" value="Export"/>	

Reference

The reference screen provides links that the user may find helpful.

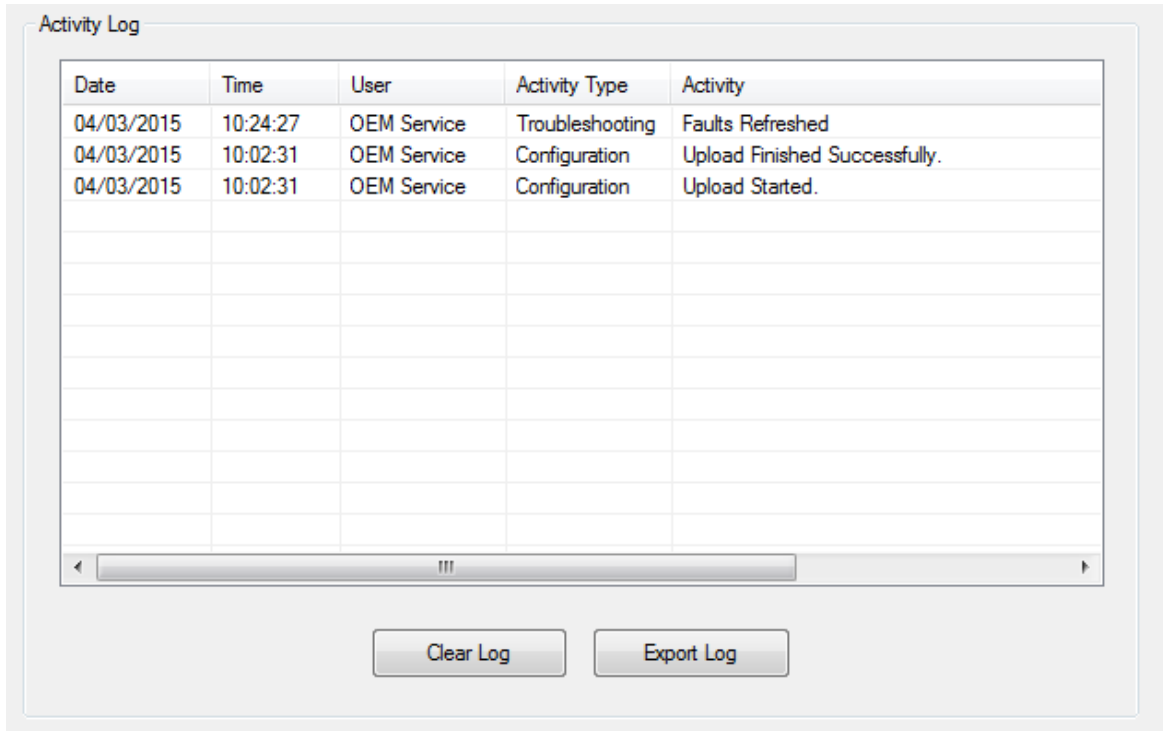
Figure 63. Reference Screen



Activity Log

The activity log gives all of the activity that has happened recently in the software. It has the option to export the data into a csv file.

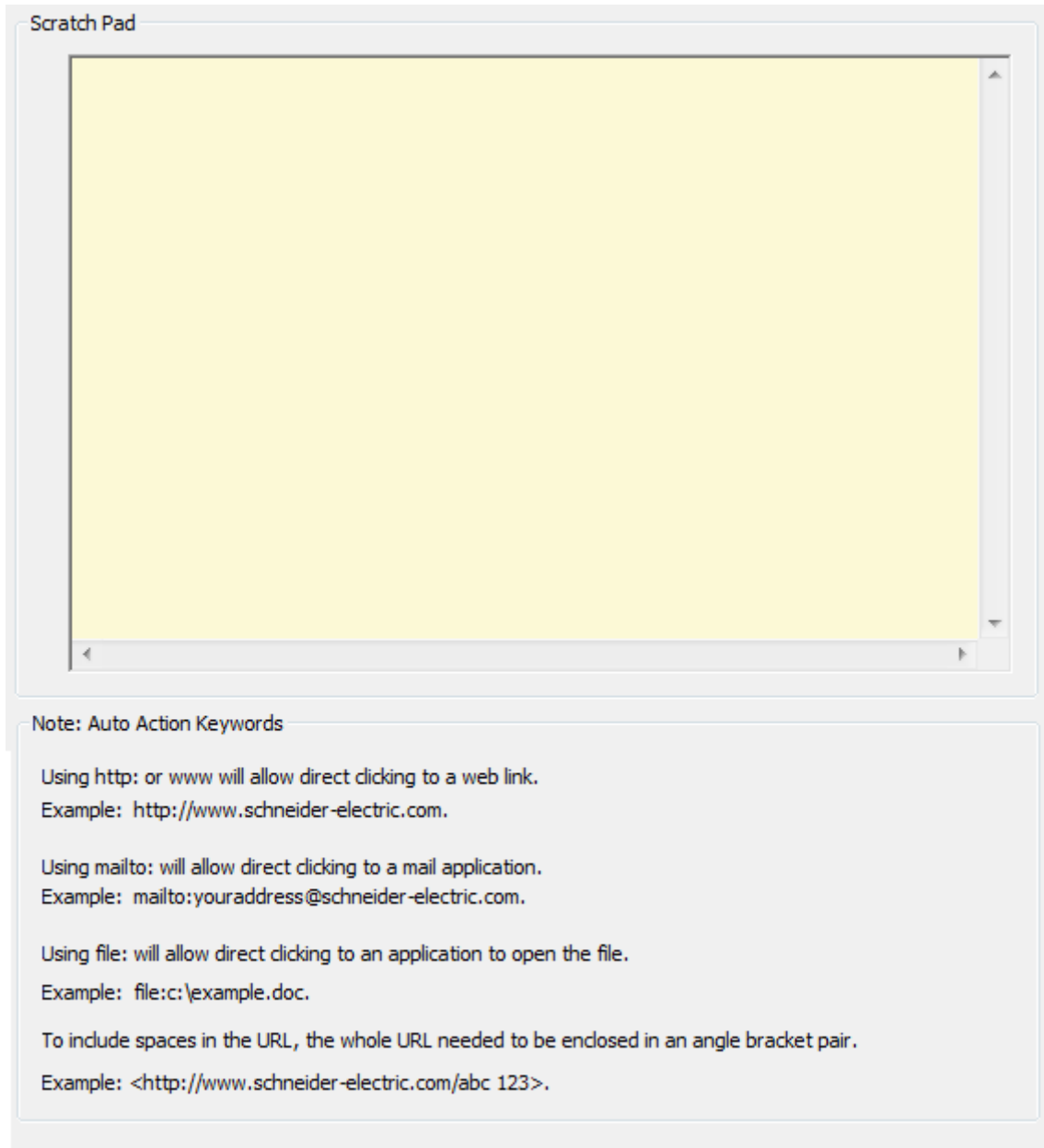
Figure 64. Activity Log



Scratch Pad

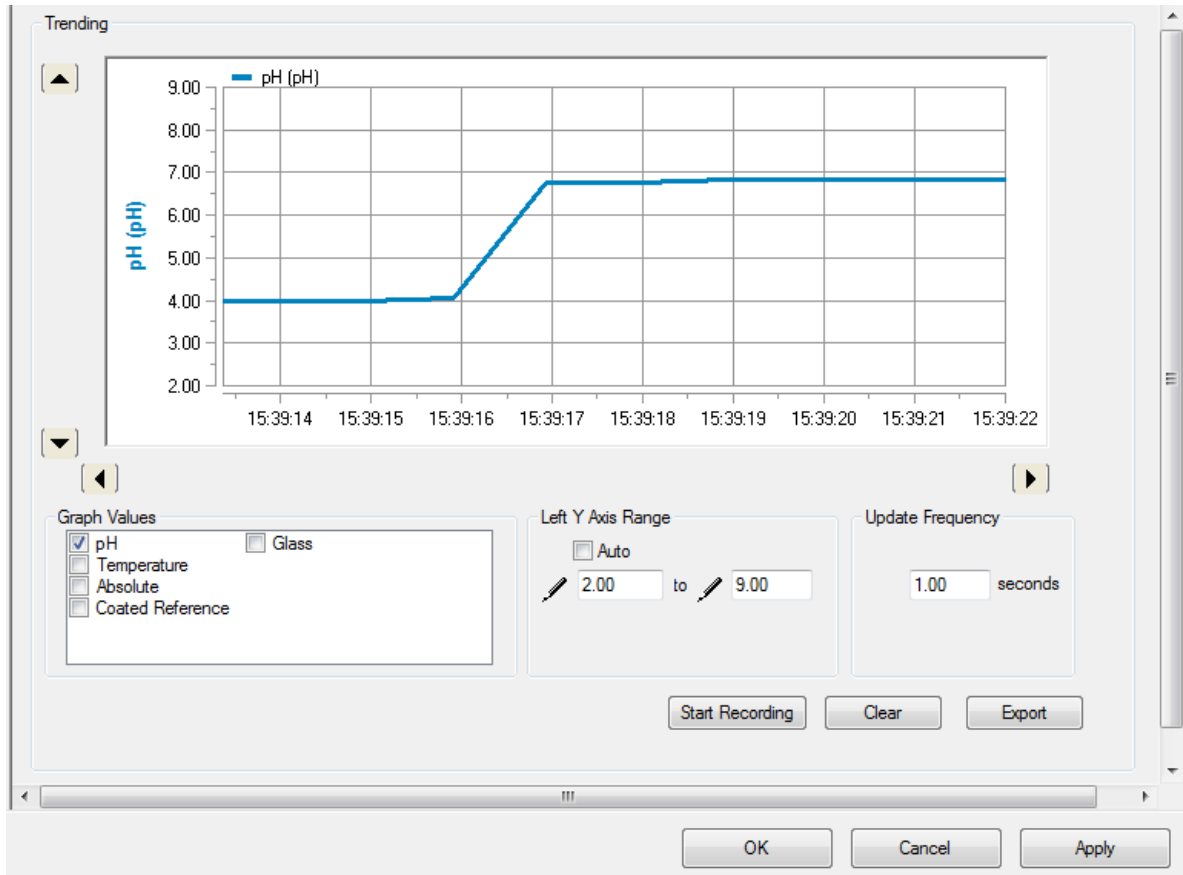
The Scratch Pad displays an active window that allows you to type notes or capture links to open different webpages, files, or emails.

Figure 65. Scratch Pad



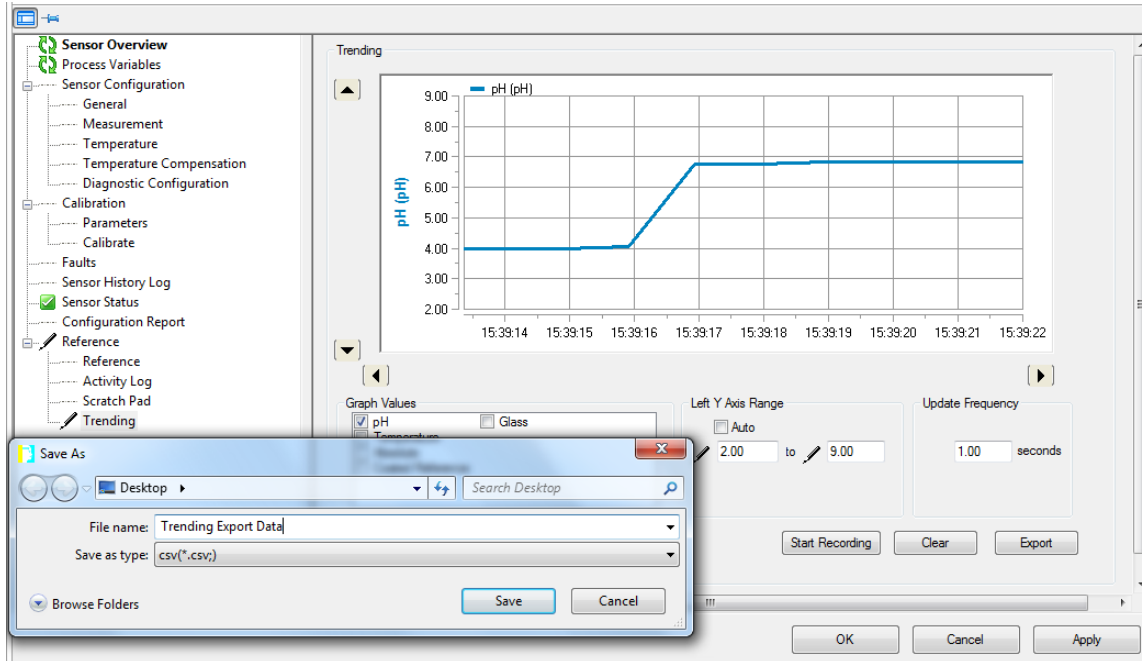
Trending

Figure 66. Trending Screen



Trending can be used to record a data trend over time. The data collected can then be exported to a csv file which can then be used with programs such as Microsoft Excel. The update frequency cannot be configured to collect data more than once per second. Up to three variables can be selected at the same time for concurrent trending.

Figure 67. Export Data Trend to .csv File



4. Troubleshooting

Troubleshooting for Analog and Smart Sensors

Use the following procedure for diagnosing and correcting Analog and Smart sensor problems:

1. Enable all sensor diagnostics when using an 875PH Analyzer or an 876PH or 870ITPH Transmitter. Check the diagnostic status for messages and corresponding actions.
2. Check RTD (Analog sensors only.)

DolpHin series sensors use 100 ohm 2-wire RTDs, 1000 ohm 3-wire RTDs, or Balco 3000 ohm 2-wire RTDs.

For 2-wire, 100 Ω and Balco 3000 Ω RTDs, disconnect sensor leads 1 and 2 from the analyzer or transmitter and use an ohmmeter to measure the resistance between these leads. Resistance with temperature values for the two RTDs are shown in Table 15.

For 3-wire, 1000 Ω RTDs, disconnect sensor leads 1, 2, and 2a from the analyzer or transmitter and use an ohmmeter to measure the resistance between 1 and 2 and 1 and 2a. Resistance with temperature values for the 1000 ohm RTD are shown in Table 15. Leads 2 and 2a are common; the resistance between them should be small or effectively zero.

If these checks are OK, proceed to Step 3.

Table 15. Process Temperature vs. RTD Resistance

Process Temperature		100 Ω RTD Resistance	1000 Ω RTD Resistance	Balco 3000 Ω RTD Resistance
$^{\circ}\text{C}$	$^{\circ}\text{F}$	Ohms	Ohms	Ohms
0	32	100.00	1000.0	2663
10	50	103.90	1039.0	2798
20	68	107.79	1077.9	2933
25	77	109.73	1097.3	3000
30	86	111.67	1116.7	3067
40	104	115.54	1155.4	3202
50	122	119.40	1194.0	3337
60	140	123.24	1232.4	3472
70	158	127.07	1270.7	3607
80	176	130.89	1308.9	3742
90	194	134.70	1347.0	3877
100	212	138.50	1385.0	4013
110	230	142.28	1422.8	4148
120	248	146.06	1460.6	4283

3. Check power to the preamplifier (for sensor PH10-*P or ORP10-*P only and not applicable to PH10-*S).

With all sensor leads connected to the analyzer or transmitter, use a voltmeter to measure the voltage between terminals 4 and 6 (clear and brown) and between terminals 4 and 7 (clear and blue). The voltage should be:

- a. With an 875PH Analyzer, the voltage should be approximately +5 V from 4 to 6, and -5 V from 4 to 7.
- b. With an 876PH or 870ITPH Transmitter, the voltage should be approximately +5 V from 4 to 6, and -2.5 V from 4 to 7.
- c. With an 873 Analyzer, the voltage should be approximately +6.2 V from 4 to 6, and -6.2 V from 4 to 7.

If the above check is OK, proceed to Step 4. If check is not OK, continue as follows:

Disconnect sensor leads 4, 6, and 7 from the analyzer or transmitter. Repeat the voltage checks above (measure at the analyzer or transmitter, not at the sensor leads). If voltage checks are now OK, the sensor must be replaced. If checks are not OK, there is a problem in the analyzer or transmitter.

4. Check the system with buffers.

Conduct this check with all leads connected to the analyzer/transmitter and with the analyzer/transmitter power on. Clean the pH electrode and reference junction. Place sensor in a pH 7 buffer solution.

- a. With an 875PH Analyzer, or 876PH or 870ITPH Transmitter, use the Status menu to display the voltage of the sensor.
- b. With an 873 Analyzer, press SHIFT and mV.

The reading should be approximately 0 mV in a pH 7 buffer and should change approximately 59 mV per pH unit (for example, in pH 4 buffer, the reading should be approximately +177 mV; in pH 10 buffer, the reading should be approximately -177 mV).

If above check is OK and there is still a problem with the measurement, the problem resides in the analyzer or transmitter. If above check is not OK, proceed to Step 5.

5. Check the sensor alone with buffers (for sensors with a preamplifier. Does not apply to Smart sensors).

For Analog sensors with a preamplifier (PH10-*P or ORP10-*P), disconnect sensor leads 3 and 5 from analyzer or transmitter. Repeat the voltage checks described in Step 4, except make the measurement at the sensor leads. If the voltage checks are OK, there is a problem in the analyzer or transmitter. If voltage checks are not OK, the sensor must be replaced or cleaned in a stronger cleaner.

Table 16. Sensor Troubleshooting

Problem	Possible Cause	Remedy
No response.	<ol style="list-style-type: none"> 1. Broken measuring electrode. 2. Heavily coated electrodes. 	<ol style="list-style-type: none"> 1. Replace sensor. 2. Clean and/or replace.
Elongated span.	<ol style="list-style-type: none"> 1. Incorrect instrument calibration 2. Instrument temperature compensation inactive or incorrectly configured. 3. Incorrect temperature measurement (not applicable to Smart sensors). 	<ol style="list-style-type: none"> 1. Recalibrate. 2. Refer to instrument manual for proper configuration. Check the Smart sensor temperature. 3a. Check that analyzer/transmitter is configured for correct RTD. 3b. Check RTD resistance across leads 1 and 2 (see Table 15) 3c. if OK, calibrate instrument temperature circuit. If bad, replace sensor.
Sluggish response.	<ol style="list-style-type: none"> 1. Aged or dehydrated measuring electrodes. 2. Coated or dirty electrode and reference junction. 	<ol style="list-style-type: none"> 1. If sensor is dehydrated, soak in pH 4 buffer or KCl solution.) 2a. Clean electrode and reference junction. 2b. Replace sensor.
Erratic or noisy measurement.	<ol style="list-style-type: none"> 1. Fouled reference junction. 2. Air bubbles in the process. 	<ol style="list-style-type: none"> 1. Clean reference junction. 2. Arrange sensor mounting to avoid air bubbles.
Discrepancy between process reading and laboratory grab sample results.	<ol style="list-style-type: none"> 1. Laboratory reading in error. 2. Change in grab sample temperature (that is, sample temperature changed before laboratory measurement was made — causing a change in pH). 3. Incorrect instrument calibration. 	<ol style="list-style-type: none"> 1. Verify calibration and/or operation of laboratory pH equipment. 2. Make off-line measurement as soon as possible after collecting grab sample. If sample cooling is inevitable, a change in pH from the process to the lab may be unavoidable. 3. Perform single point calibration to make readings agree.
Smart sensor not working properly.	<ol style="list-style-type: none"> 1. Sensor Disconnected message displays on the transmitter. 	<ol style="list-style-type: none"> 1. Check the wiring between the transmitter and the sensor.

5. Maintenance

Calibration

Your sensor and analyzer/transmitter system should be calibrated regularly. A sensor loses calibration for two general reasons: the slope changes or the offset changes. Slope changes are usually due to aging of the measuring electrode. Offset changes are often due to clogging and contamination of the reference junction. A single point calibration corrects the offset only. A two point calibration corrects both the offset and the slope. Frequency of calibration is dictated by the rigors of the process, such as temperature, pressure, abrasives, harsh chemicals, and so forth. It is also related to your requirement for accuracy. Many users do a single point, grab sample calibration frequently and a two point calibration only occasionally. Refer to your analyzer/transmitter instruction for specific calibration procedures.

Temperature Calibration

DolpHin sensors include a precision temperature measuring element. Foxboro analyzers and transmitters use this temperature measurement to provide automatic temperature compensation of the pH measurements. ORP measurements do not require temperature compensation.

For optimum pH measurement accuracy, the temperature measurement accuracy should be checked and adjusted if necessary. This is especially important when a long cable length is used with sensors that have 2-wire RTD elements. Analog version sensors with 3-wire RTD elements automatically compensate for errors due to cable length. Refer to your analyzer/transmitter instruction for specific calibration procedures. Smart sensors contain a 1000 Ω RTD whose signal, along with those from the measuring and reference electrodes, is converted to a digital signal in the sensor electronics.

Electrode Inspection

Fouling (the build-up of a film) on the measuring electrode and the reference junction can cause erratic output.

Inspect the electrodes as needed. Once a week is recommended for new installations. If fouling is evident, clean the electrode as described in the following sections.

Electrode Cleaning

Cleaning a Glass Electrode

First, consider the contamination you are trying to remove. In what is it soluble? What will chemically attack it? Next, consider the sensor. What cleaner will have little or no effect on the sensor itself? Choose the solvent, soap, or chemical that is the mildest but removes the contamination. Caustic is a risky choice for glass electrodes. Stronger concentrations can attack the glass. Dilute HCl (hydrochloric acid) is frequently a good choice.

The concentration of HCl should be as low as possible and still remove the contamination. Consider 4% or 1 N to be a maximum.

NOTE

An electrode reconditioning solution is available for very extreme applications. Contact Global Customer Support for more information on when this solution should be used, and how to specify it.

! CAUTION

Do not clean glass electrodes with abrasive cleaners or coarse wipers.

! CAUTION

Handle the sensor very carefully to avoid damage to the glass electrode.

Rinse the electrode with distilled water. Blot the electrode and reference junction with a soft cloth. In hard-water areas, dip the tip of the sensor in a 1 to 4% solution of HCl to remove surface film. Then rinse thoroughly.

If the electrode surface is oily, clean it with a mild detergent and fine bristle brush.

Cleaning an Antimony Electrode

! WARNING

Antimony is a toxic material. When an antimony electrode is installed, avoid contact with the surface of the antimony pellet. If skin contact is made with the antimony pellet, wash the contacted skin area with soap and water. Refer to MSDS HS0051.

First consider the contamination you are trying to remove. In what is it soluble? What will chemically attack it? Next, consider the sensor. What cleaner will have little or no effect on the sensor itself? Choose the solvent, soap, or chemical that is the mildest but removes the contamination.

If the electrode surface remains black after cleaning, it may be due to self-fouling antimony oxide formation. Remove the oxide layer by scraping the surface with a knife blade. Remove as little material as possible to reveal a metallic luster while leaving the bulk of the electrode intact.

Cleaning an ORP Electrode

ORP electrodes rarely require cleaning. However when they do, first consider the contamination you are trying to remove. In what is it soluble? What will chemically attack it? Next, consider the sensor. What cleaner will have little or no effect on the sensor itself? Choose the solvent, soap, or chemical that is the mildest but removes the contamination. The electrode surface can also be polished with powdered alumina or a fine grained emery cloth.

Cleaning a Reference Junction

Carefully clean the reference junction with detergent and a fine bristle brush.

Storing a Sensor

The shelf life of your sensor depends on the storage conditions. Although shelf life is not specified, a reasonable estimate is 6 to 12 months. Under the best conditions, sensors may last well over a year on the shelf.

The key to proper storage is keeping both the measuring electrode and the reference junction hydrated at normal room temperature. Store your PH10 or ORP10 Sensor in a 1 M (or higher) potassium chloride solution or a pH 4 or pH 7 buffer solution. Sensors should not be stored in distilled or deionized water. New sensor assemblies are shipped with the measuring and reference junction sealed in a protection cap containing liquid potassium chloride salt solution. The cap should remain in place until you are ready to install your sensor in the process. The protection cap can be reused to store a sensor by replenishing the solution and fitting it on to the sensor. It is recommended that you replenish the solution and fit the cap on the sensor if the sensor is removed from the process for more than a few hours. Proper storage maximizes both shelf life and service life of a sensor.

6. Parts List

Parts preceded by an asterisk (*) are recommended spare parts.

Give Instrument Model Number and Style when ordering.

See Recommended Spare Parts Summary section for quantities.

To order replacement sensors or parts, call Global Customer Support at 1-866-746-6477.

MODEL CODE – PH SENSOR

<u>Description</u>	<u>Model</u>
DolpHin pH Sensor	PH10
<u>pH Electrode Type</u>	
Domed, High Temperature, Glass Bulb with Protective Guard	-1
Domed, High Temperature, Glass Bulb without Protective Guard	-2
Flat Ruggedized Glass	-3
Antimony	-4
<u>Electronic Configuration</u>	
Analog without Preamplifier	N
Analog with Internal Preamplifier (a) (b)	P
Smart (c)	S
<u>Temperature Compensation</u> (See Table 17)	
2-Wire, 100 Ω Platinum RTD	1
3-Wire, 1000 Ω Platinum RTD (b) (c)	2
2-Wire, 100 Ω Platinum RTD, Enhanced Response Speed	3
3-Wire, 1000 Ω Platinum RTD, Enhanced Response Speed (b) (c)	4
2-Wire, 3 kΩ Balco RTD	5
<u>Sensor Termination</u>	
10 ft (3.05 m) Integral Cable Terminated with Crimped-on Straight Pin Lugs	A
10 ft (3.05 m) Integral Cable Terminated with Variopin Quick Connector (b) (d)	B
Variopin Quick Connector Integral to Sensor (b) (d)	Q
Smart Connector Integral to Sensor (c)	S
<u>Optional Selections</u>	
EPDM (e) O-Rings (f)	-E
Chemraz (g) O-Rings (f)	-C
Integral Std. Temp Sensor Cable, 20 ft (6.1 m) long (h)	-2
Integral Std. Temp Sensor Cable, 30 ft (9.1 m) long (h)	-3
Integral Std. Temp Sensor Cable, 40 ft (12.2 m) long (h)	-4
Integral Std. Temp Sensor Cable, 50 ft (15.2 m) long (h)	-5
Integral High Temp Sensor Cable, 10 ft (3.05 m) long (a) (h)	-1H
Integral High Temp Sensor Cable, 20 ft (6.1 m) long (a) (h)	-2H
Integral High Temp Sensor Cable, 30 ft (9.1 m) long (a) (h)	-3H
Integral High Temp Sensor Cable, 40 ft (12.2 m) long (a) (h)	-4H
Integral High Temp Sensor Cable, 50 ft (15.2 m) long (a) (h)	-5H
ATEX Ex ia	AA
ATEX Ex nL	AN
CSA Div 1	CA
CSA Div 2	CN
FM Div 1	FA
FM Div 2	FN
IECEX Ex ia	DA
IECEX Ex nL	DN
Instruction Manual	-M
Examples: PH10-1N3B-E2H	

- a. High Temperature cable not available with Electronic Configuration Code P.
- b. Selection of Preamplifier (P), with 3-wire RTD (2 or 4) and with Variopin Quick Connector (B or Q) cannot be made at the same time. Any two are allowed together, but not all three.
- c. The PH10-*S option utilizes a 1000-Ω RTD only, has an integral connector requiring a mating patch cord.
- d. Requires mating patch cord with integral Variopin Quick Connector, if not customer supplied.
- e. EPDM is ethylene-propylene terpolymer, also known as EPR (ethylene-propylene rubber).
- f. Standard O-ring material is Viton.
- g. Chemraz is a perfluoroelastomer.
- h. Cable options applicable to Sensor Termination Codes A and B only.

MODEL CODE – ORP SENSOR

<u>Description</u>	<u>Model</u>
Dolphin ORP Sensor	ORP10
<u>ORP Electrode Type</u>	
Platinum	-1
Gold	-2
<u>Electronic Configuration</u>	
Analog without Preamplifier	N
Analog with Internal Preamplifier (a) (b)	P
<u>Temperature Compensation</u> (See Table 17)	
2-Wire, 100 Ω Platinum RTD	1
3-Wire, 1000 Ω Platinum RTD (b)	2
2-Wire, 100 Ω Platinum RTD, Enhanced Response Speed	3
3-Wire, 1000 Ω Platinum RTD, Enhanced Response Speed (b)	4
2-Wire, 3 k Ω Balco RTD	5
<u>Sensor Termination</u>	
10 ft (3.05 m) Integral Cable Terminated with Crimped-on Straight Pin Lugs	A
10 ft (3.05 m) Integral Cable Terminated with Variopin Quick Connector (b) (c)	B
Variopin Quick Connector Integral to Sensor (b) (c)	Q
<u>Optional Selections</u>	
EPDM (d) O-Rings (e)	-E
Chemraz (f) O-Rings (e)	-C
Integral Std. Temp Sensor Cable, 20 ft (6.1 m) long (g)	-2
Integral Std. Temp Sensor Cable, 30 ft (9.1 m) long (g)	-3
Integral Std. Temp Sensor Cable, 40 ft (12.2 m) long (g)	-4
Integral Std. Temp Sensor Cable, 50 ft (15.2 m) long (g)	-5
Integral High Temp Sensor Cable, 10 ft (3.05 m) long (a) (g)	-1H
Integral High Temp Sensor Cable, 20 ft (6.1 m) long (a) (g)	-2H
Integral High Temp Sensor Cable, 30 ft (9.1 m) long (a) (g)	-3H
Integral High Temp Sensor Cable, 40 ft (12.2 m) long (a) (g)	-4H
Integral High Temp Sensor Cable, 50 ft (15.2 m) long (a) (g)	-5H
ATEX Ex ia	AA
ATEX Ex nL	AN
CSA Div 1	CA
CSA Div 2	CN
FM Div 1	FA
FM Div 2	FN
IECEX Ex ia	DA
IECEX Ex nL	DN
Instruction Manual	-M
Examples: ORP10-1P4A-C5	

- High Temperature cable not available with Preamplifier Code P.
- Selection of Preamp (P), with 3-wire RTD (2 or 4) and with Variopin Quick Connector (B or Q) may not be made at the same time. Any two are allowed together, but not all three.
- Requires mating patch cord with integral Variopin Quick Connector, if not customer supplied.
- EPDM is ethylene-propylene terpolymer, also known as EPR (ethylene-propylene rubber).
- Standard O-ring material is Viton.
- Chemraz is a perfluoroelastomer.
- Cable options applicable to Sensor Termination Codes A and B only.

MODEL CODE – BVA SERIES BALL VALVE INSERTION ASSEMBLY

<u>Description</u>	<u>Model</u>
Ball Valve Insertion Assembly	BVA
<u>Sensor Type</u> For use with DolpHin pH and ORP Sensors; 1 1/4 in NPT Full Port Valve (a)	-PHA
<u>Process Wetted Material</u> 316 stainless steel	1
Titanium	2
<u>O-Ring Material</u> Chemraz (b)	C
EPDM (c)	E
Kalrez	K
Perfluoroelastomer (FFKM)	P
Viton	V
<u>Insertion Depth (Applies to Versions That Include a Ball Valve and a Nipple) (d)</u> 0 to 20.3 cm (0 to 8 inches)	08
0 to 40.6 cm (0 to 16 inches)	16
0 to 61.0 cm (0 to 24 inches)	24
0 to 81.3 cm (0 to 32 inches)	32
Custom length in 20.3 cm (8 inch) increments (e)	XX
<u>Optional Selections</u> Insertion Assembly Only (d) (f)	-A
Safety Guard (g)	-S
PVDF Ball Valve (f) (h)	-K
<u>Flanges</u> 1 1/2 inch ANSI 150# Flange	-C
2 inch ANSI 150# Flange	-D
3 inch ANSI 150# Flange	-F
4 inch ANSI 150# Flange	-H
Flat Face Flange (requires selection of a flange)	-J
Example: BVA-PHA1V08-FJ	

- a. Legacy model ball valve assemblies and insertion tubes (ordered by part number) are also available. Contact Global Customer Support for details.
- b. Chemraz is a perfluoroelastomer.
- c. EPDM is ethylene-propylene terpolymer, also known as EPR (ethylene-propylene rubber).
- d. For versions without ball valve and nipple, select option -A (Insertion Assembly Only). When option -A is selected, add approximately 152 mm (6 inches) for 316 ss, or 178 mm (7 inches) for titanium, to the insertion depth dimensions shown in "Insertion Depth" above.
- e. Prior approval required; contact Global Customer Support.
- f. Options -A and -K are mutually exclusive.
- g. Not available with Optional Selection -A (Insertion Assembly Only).
- h. PVDF ball valve reduces the insertion depth by 4.14 cm (1.63 inches).

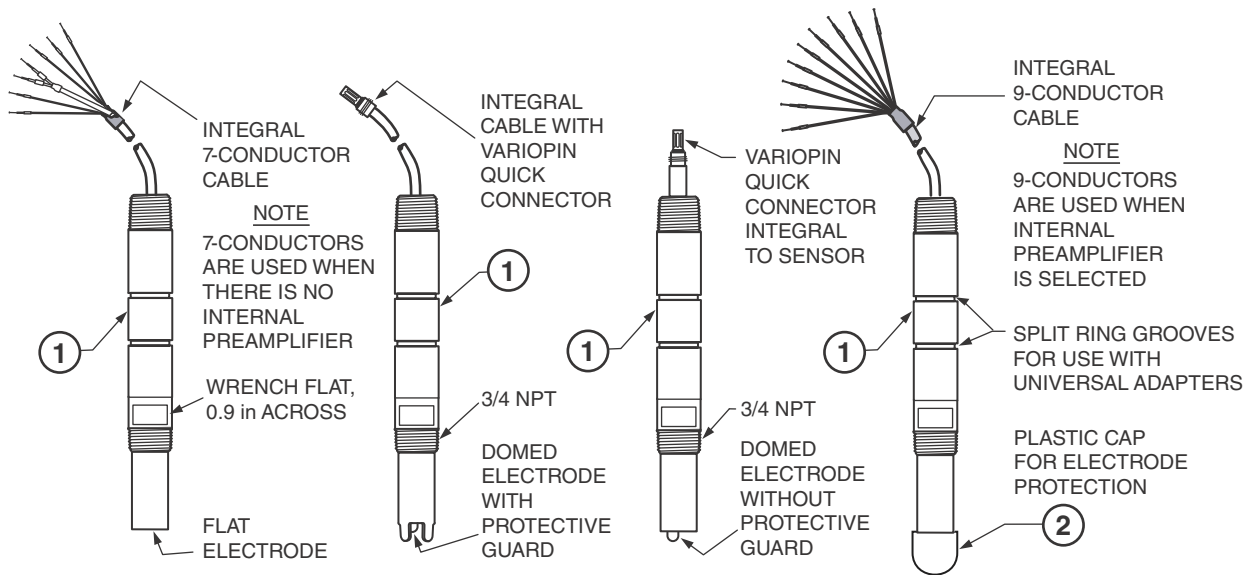
Table 17. Temperature Compensation Selections Guide

Selection	Description	Transmitter/Analyzer Compatibility	Valid Combinations of PH10 Electronic Configuration and Sensor Termination
1	2-wire, 100 Ω RTD	873PH 875PH 870ITPH 876PH-T	N and A N and B N and Q P and A P and Q P and B
2	3-wire, 1000 Ω RTD	875PH 876PH-T 876PH-S 870ITPH	N and A N and B N and Q P and A S (a) and S (a)
3	2-wire, 100 Ω RTD, enhanced response time		
4	3-wire, 1000 Ω RTD, enhanced response time		
5	Balco 3000 Ω Thermistor	875PH 876PH-T 870ITPH	N and A N and B N and Q P and A P and Q P and B

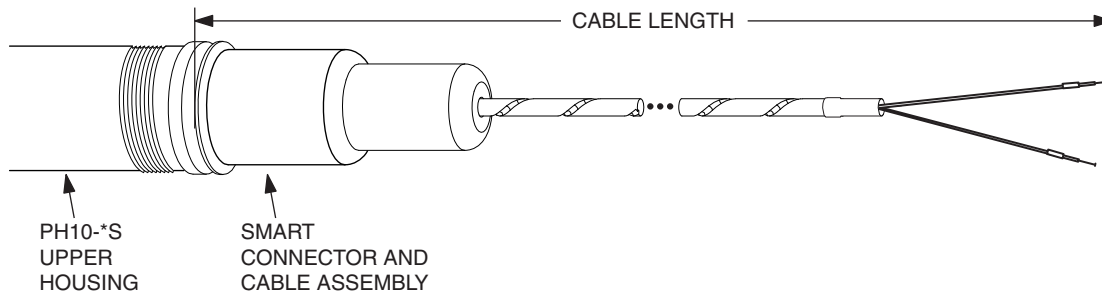
a. 876PH-S transmitter only.

SENSOR ASSEMBLIES

Figure 68. Analog Sensor Assemblies



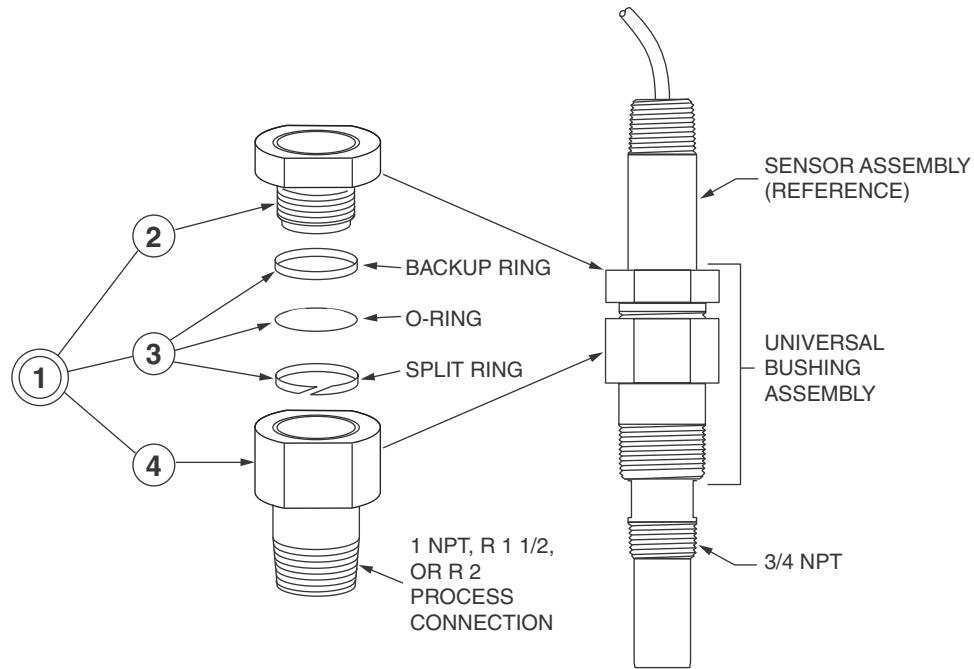
Item	Part No.	Qty.	Part Name
*1	Note 1	A/R	Dolphin pH or ORP Sensor Assembly
2	X0179JL	A/R	Cap, Protective Plastic (Note 3)

Figure 69. Smart Sensor Assembly**NOTE**

1. The DolpHin sensor assembly has no internal replaceable parts, and must therefore, be replaced in its entirety. To order a replacement sensor assembly, specify the Model Number shown on the sensor cable label (on the connector immediately adjacent to the sensor body on some models, or in the case of the Smart sensor, laser engraved on the sensor body). Or alternatively, you can specify the Model Number by using the Model Codes shown on page 92 and page 93.
2. Seven-conductor cables are used when there is no preamplifier (Analog version); nine-conductor cables are used when an internal preamplifier is required (Analog version); and patch cords with Smart connector and straight pin lugs are used with Smart sensors.
3. A plastic protective cap is provided installed with every shipped sensor assembly. This protective cap is removed prior to sensor installation. It is recommended that the cap be retained after installation for future use. The sensor should be stored “wet” in pH 7 buffer (using plastic cap) for increased life when temporarily removed from service.

ACCESSORY – UNIVERSAL BUSHING ASSEMBLY

Figure 70. Universal Bushing Assembly

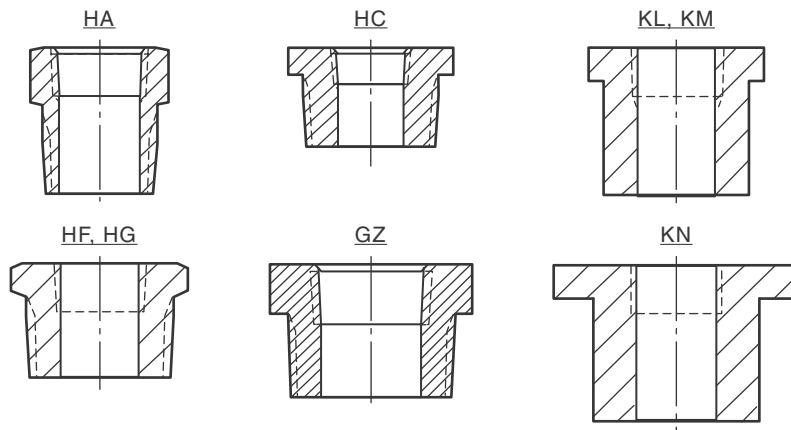


Item	Part No.	Qty.	Part Name
1	Below BS810XB BS810XC BS810XD BS810XE	1	Universal Bushing Assembly (Items 2, 3, and 4) PVDF (a) Body, 1 NPT Process Connection 316 ss Body, 1 NPT Process Connection 316 ss Body, R 1 1/2 Process Connection 316 ss Body, R 2 Process Connection
2	Below BS810EW BS810LG	1	Locking Cap PVDF Body, 1.50 Across Flats 316 ss Body, 1.50 Across Flats
*3	BS811HK	1	Kit, Seals for Universal Adapter Includes Kynar backup ring, Viton O-ring, Kynar split ring, and O-ring lubricant
4	Below BS810EX BS810LH BS810WZ BS810XA	1	Universal Assembly Bushing PVDF body, 1 NPT Process Connection 316 ss Body, 1 NPT Process Connection 316 ss Body, R 1 1/2 Process Connection 316 ss Body, R 2 Process Connection

a. PVDF is polyvinylidene fluoride, commercially available as Kynar.

ACCESSORY – 3/4 NPT BUSHINGS

Figure 71. 3/4 NPT Bushings



NOTE

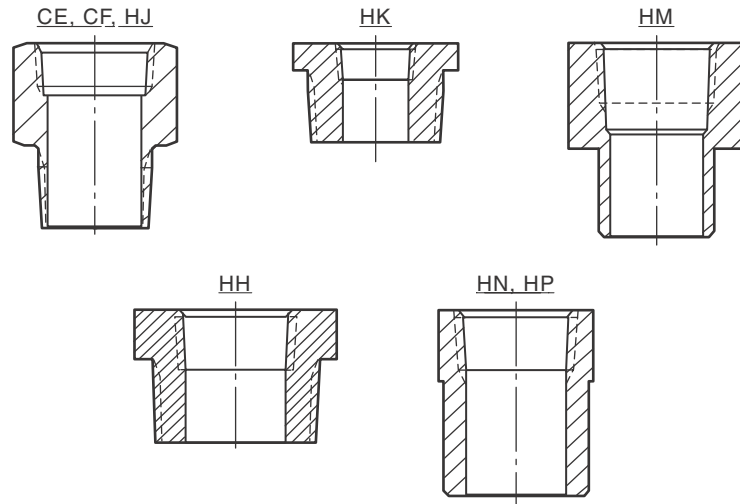
Typical bushing configurations are shown. The two-letter designation above each bushing corresponds to the last two letters of the part numbers listed below. For detailed bushing dimensions, see DP 611-173.

Item	Part No.	Qty.	Part Name
–	Below	A/R	316 ss Bushing
	BS810HA		3/4 x 1 NPT, 1.375 in Hex Head
	BS810HF		3/4 x 1 1/4 NPT, 1.75 in Hex Head
	BS810HG		3/4 x 1 1/2 NPT, 2 in Hex Head
–	Below	A/R	PVDF Bushing
	BS810HC		3/4 x 1 NPT, 1.312 in Wrench Flats
	BS810GZ		3/4 x 1 1/2 NPT, 2 in Wrench Flats
–	Below	A/R	CPVC Bushing (a)
	BS810KL		3/4 NPT x 1 in Solvent Weld, 1.5 in Round Head
	BS810KM		3/4 NPT x 1 1/4 in Solvent Weld, 1.75 in Hex Head
	BS810KN		3/4 NPT x 1 1/2 in Solvent Weld, 2.4 in Hex Head

a. CPVC is chlorinated polyvinyl chloride.

ACCESSORY – 1 NPT BUSHINGS

Figure 72. 1 NPT Bushings

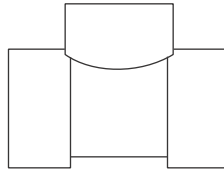


NOTE

Typical bushing configurations are shown. The two-letter designation above each bushing corresponds to the last two letters of the part numbers listed below. For detailed bushing dimensions, see DP 611-173.

Item	Part No.	Qty.	Part Name
–	Below	A/R	316 ss Bushing
	BS810HJ		1 x 1 NPT, 1.625 in Hex Head
	X0177CF		1 x 1 1/4 NPT, 1.75 in Hex Head
	X0177CE		1 x 1 1/2 NPT, 2 in Hex Head
–	Below	A/R	PVDF Bushing
	BS810HK		1 x 1 NPT, 1.625 in Wrench Flats
	BS810HH		1 x 1 1/2 NPT, 2 in Wrench Flats
–	Below	A/R	CPVC Bushing (a)
	BS810HM		1 NPT x 1 in Solvent Weld, 1.625 in Wrench Flats
	BS810HN		1 NPT x 1 1/4 in Solvent Weld, 1.75 in Round Head
	BS810HP		1 NPT x 1 1/2 in Solvent Weld, 2 in Round Head

a. CPVC is chlorinated polyvinyl chloride.

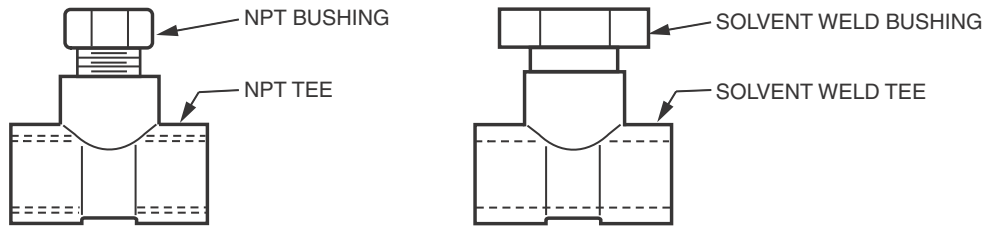
ACCESSORY – TEES*Figure 73. Tees***NOTE**

All tee connections are female. All three connections on a given tee are the same nominal size. For detailed tee dimensions, see DP 611-173.

Item	Part No.	Qty.	Part Name
–	Below	A/R	316 ss Tee
	X0178JB		1 NPT
	X0178HW		1 1/4 NPT
	X0173JY		1 1/2 NPT
–	Below	A/R	PVDF Tee
	X0178HV		1 NPT
	X0178HX		1 1/2 NPT
–	Below	A/R	CPVC Tee
	X0178HY		1 in Solvent Weld
	X0178HZ		1 1/4 in Solvent Weld
	X0178JA		1 1/2 in Solvent Weld

ACCESSORY – TEE KITS

Figure 74. Tee Kits



Item	Part No.	Qty.	Part Name
–	Below	A/R	316 ss Tee Kit (See table for NPT Bushing and NPT Tee)
	BS810HS		3/4 x 1 x 1 NPT
	BS810HW		3/4 x 1 1/4 x 1 1/4 NPT
	BS810JA		3/4 x 1 1/2 x 1 1/2 NPT
	BS810JE		1 x 1 x 1 NPT
	BS810JJ		1 x 1 1/4 x 1 1/4 NPT
	BS810JN		1 x 1 1/2 x 1 1/2 NPT
–	Below	A/R	PVDF Tee Kit (See table for NPT Bushing and NPT Tee)
	BS810HV		3/4 x 1 x 1 NPT
	BS810JB		3/4 x 1 1/2 x 1 1/2 NPT
	BS810JF		1 x 1 x 1 NPT
	BS810JP		1 x 1 1/2 x 1 1/2 NPT
–	Below	A/R	CPVC Tee Kit (See table for Solvent Weld Bushing and Solvent Weld Tee)
	BS810HU		3/4 x 1 x 1 Solvent Weld
	BS810HZ		3/4 x 1 1/4 x 1 1/4 Solvent Weld
	BS810JD		3/4 x 1 1/2 x 1 1/2 Solvent Weld
	BS810JH		1 x 1 x 1 Solvent Weld
	BS810JM		1 x 1 1/4 x 1 1/4 Solvent Weld
	BS810JR		1 x 1 1/2 x 1 1/2 Solvent Weld

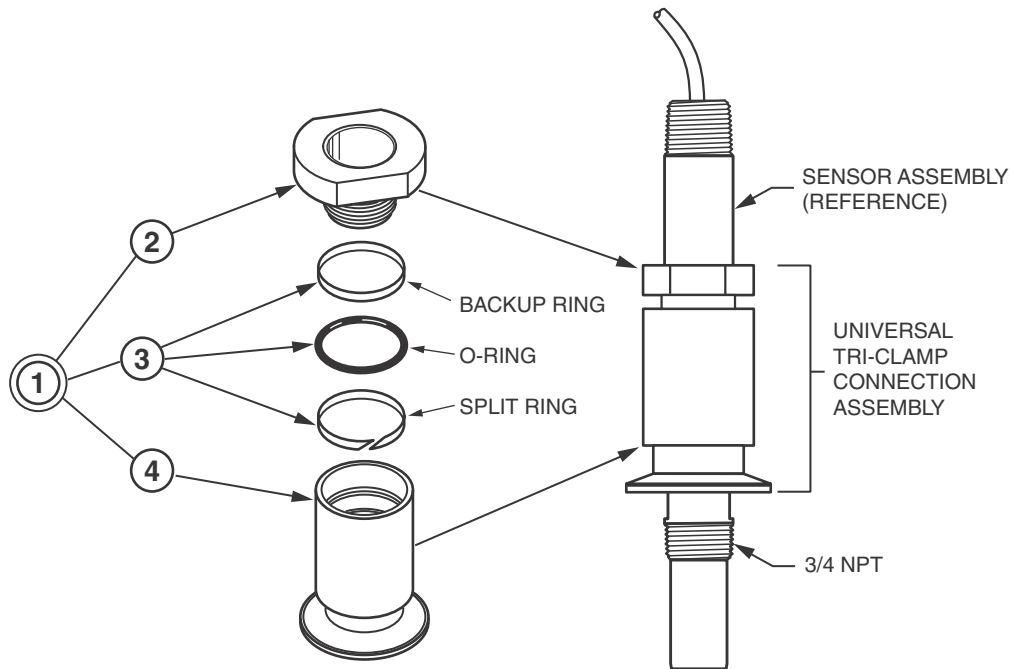
— NOTE

Each kit consists of a tee and a bushing. The table below identifies the tees and bushings used with each tee kit. Tees and bushings can also be purchased separately.

316 ss Tee Kit Parts (NPT)			PVDF Tee Kit Parts (NPT)			CPVC Tee Kit Parts (Solvent Weld)		
Kit	Tee	Bushing	Kit	Tee	Bushing	Kit	Tee	Bushing
BS810HS	X0178JB	BS810HA	BS810HV	X0178HV	BS810HC	BS810HU	X0178HY	BS810KL
BS810HW	X0178HW	BS810HF	BS810JB	X0178HX	BS810GZ	BS810HZ	X0178HZ	BS810KM
BS810JA	X0173JY	BS810HG	BS810JF	X0178HV	BS810HK	BS810JD	X0178JA	BS810KN
BS810JE	X0178JB	BS810HJ	BS810JP	X0178HX	BS810HH	BS810JH	X0178HY	BS810HM
BS810JJ	X0178HW	X0177CF	–	–	–	BS810JM	X0178HZ	BS810HN
BS810JN	X0173JY	X0177CE	–	–	–	BS810JR	X0178JA	BS810HP

ACCESSORY – UNIVERSAL TRI-CLAMP CONNECTION ASSEMBLY

Figure 75. Universal Tri-Clamp Connection Assembly

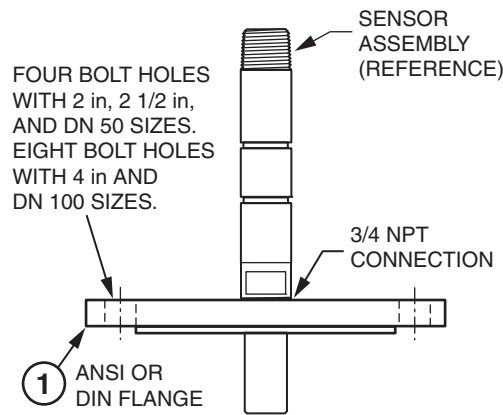


Item	Part No.	Qty.	Part Name
1	Below BS810ZU BS810ZT	Ref.	Universal Tri-Clamp Connection Assembly (Items 2, 3, and 4) 1.5 in Tri-Clamp End, 2 in O.D., 316 ss 2 in Tri-Clamp End, 2.5 in O.D., 316 ss
2	BS810LG	1	Locking Cap, 316 ss, Round Head, 1.50 Across Flats
*3	BS811HK	1	Kit, Seals for Universal Adapter Includes Kynar backup ring, Viton O-ring, Kynar split ring, and O-ring lubricant
4	Below BS810XF BS810XG	1	Variable Insertion Bushing with Tri-Clamp Connection 1.5 in Tri-Clamp End, 2 in O.D., 316 ss 2 in Tri-Clamp End, 2.5 in O.D., 316 ss

ACCESSORY – FLANGED CONNECTION ASSEMBLY

(With Sensor Assembly Threaded Directly to Flange)

Figure 76. Flanged Connection Assembly



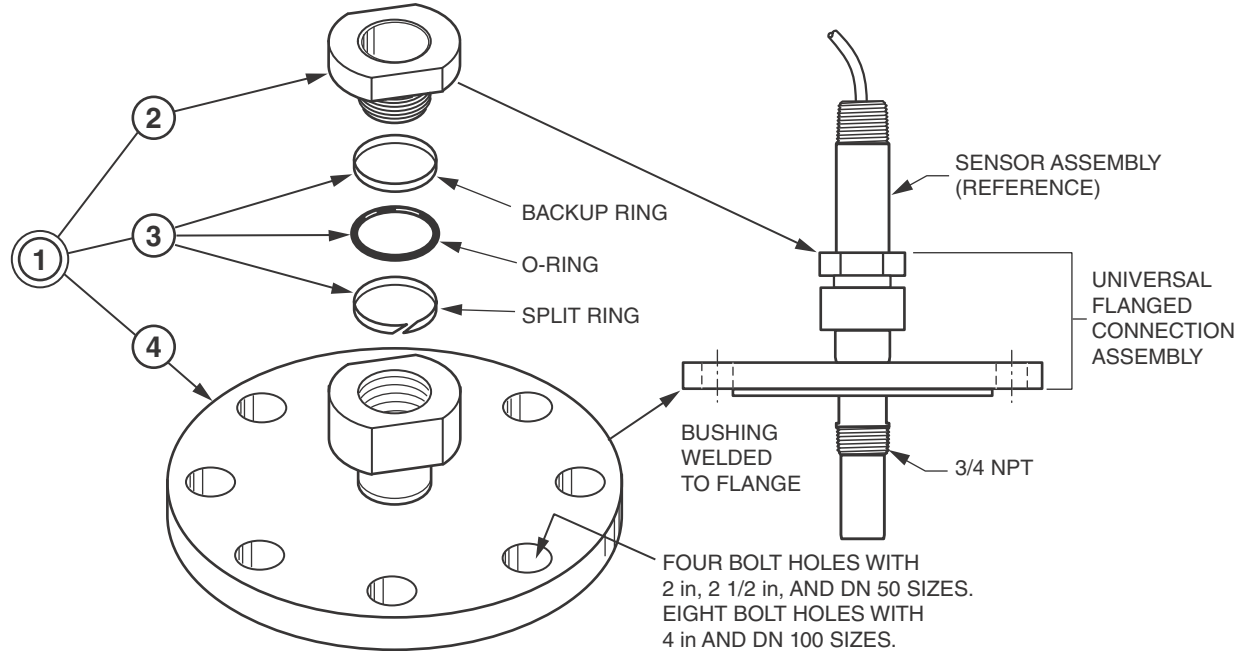
Item	Part No.	Qty.	Part Name
1	Below	1	Flange, ANSI or DIN, 316 ss
	BS808MP		ANSI Class 150, 2 in Flange, 4 Bolt Holes
	BS809LZ		ANSI Class 150, 2 1/2 in Flange, 4 Bolt Holes
	BS808MA		ANSI Class 150, 4 in Flange, 8 Bolt Holes
	BS808MB		DIN PN 10, DN 50 Flange, 4 Bolt Holes
	BS809LW		DIN PN 10, DN 100 Flange, 8 Bolt Holes

NOTE

For flanged end connection assembly with universal bushing assembly welded directly to flange, refer to Figure 77.

ACCESSORY – UNIVERSAL FLANGED CONNECTION ASSEMBLY (With Integral Universal Bushing)

Figure 77. Universal Flanged Connection Assembly



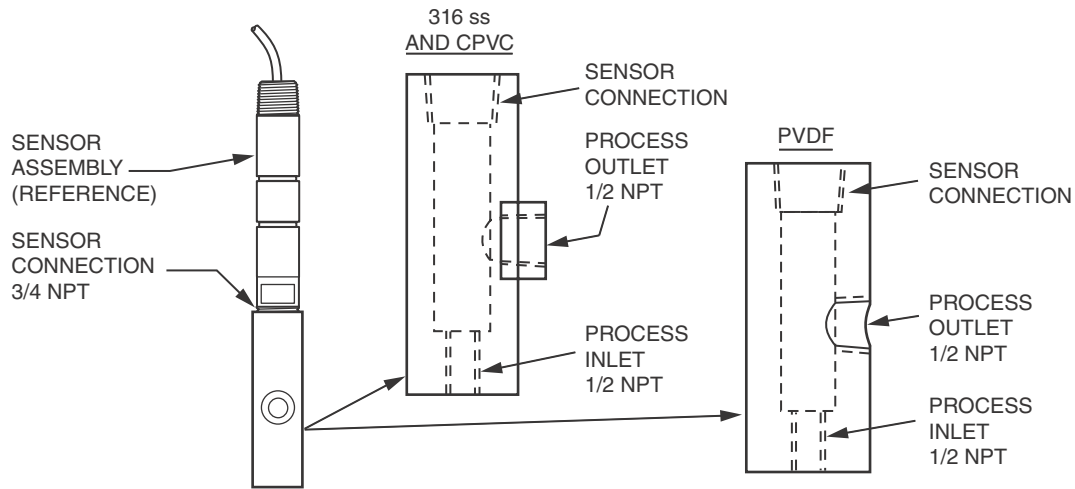
Item	Part No.	Qty.	Part Name
1	Below	Ref.	Universal Flanged Connection Assembly (Items 2, 3, and 4)
	BS810ZN		ANSI Class 150, 2 in Flange
	BS810ZP		ANSI Class 150, 2 1/2 in Flange
	BS810ZQ		ANSI Class 150, 4 in Flange
	BS810ZR		DIN PN 10, DN 50 Flange
	BS810ZS		DIN PN 10, DN 100 Flange
2	BS810LG	1	Locking Cap, 316 ss, Round Head, 1.50 Across Flats
*3	BS811HK	1	Kit, Seals for Universal Adapter Includes Kynar backup ring, Viton O-ring, Kynar split ring, and O-ring lubricant
4	Below	1	Variable Insertion Bushing with Integral Flange
	BS810XT		ANSI Class 150, 2 in Flange, 4 Bolt Holes, 316 ss
	BS810XS		ANSI Class 150, 2 1/2 in Flange, 4 Bolt Holes, 316 ss
	BS810XR		ANSI Class 150, 4 in Flange, 8 Bolt Holes, 316 ss
	BS810XQ		DIN PN 10, DN 50 Flange, 4 Bolt Holes, 316 ss
	BS810XP		DIN PN 10, DN 100 Flange, 8 Bolt Holes, 316 ss

— NOTE

For connection with sensor assembly threaded directly to flange, refer to Figure 76.

ACCESSORY – FLOW CHAMBER

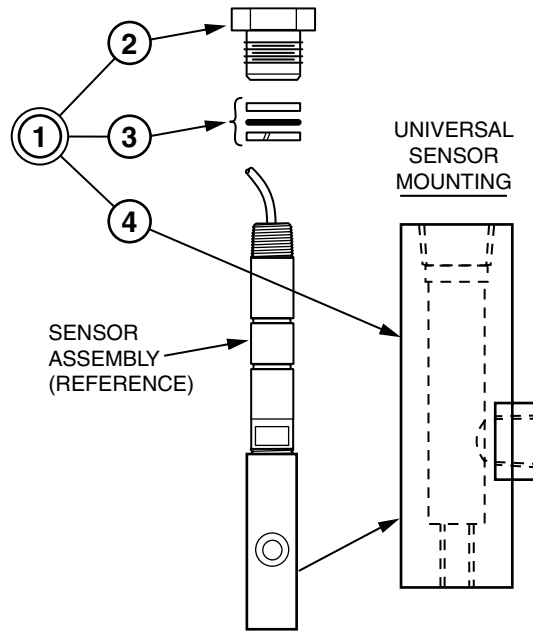
Figure 78. Flow Chamber for Standard Sensor Mounting



Item	Part No.	Qty.	Part Name
–	Below	A/R	Flow Chamber
	BS810SR		316 ss, 3/4 NPT Sensor Connection, 1/2 NPT Inlet/Outlet
	BS810SS		PVDF, 3/4 NPT Sensor Connection, 1/2 NPT Inlet/Outlet
	BS810SU		CPVC, 3/4 NPT Sensor Connection, 1/2 NPT Inlet/Outlet

ACCESSORY – FLOW CHAMBER - UNIVERSAL

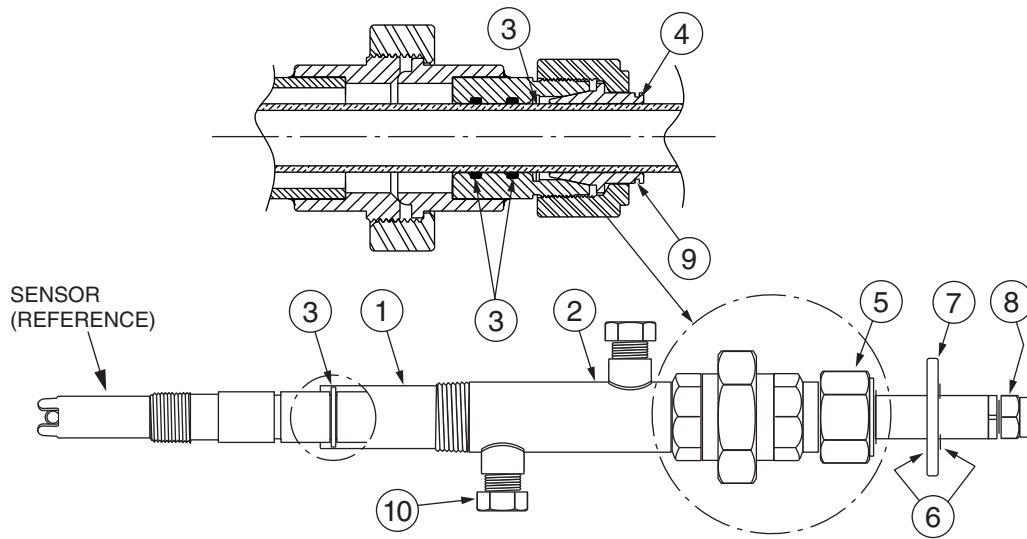
Figure 79. Flow Chamber for Universal Sensor Mounting



Item	Part No.	Qty.	Part Name
1	BS810ND	Ref	Flow Chamber, 316 ss, Universal Sensor Mounting, 1/2 NPT Inlet/Outlet
2	BS810LG	1	Locking Cap, 316 ss, Round Head, 1.50 Across Flats
*3	BS811HK	1	Kit, Seals for Universal Adapter Includes Kynar backup ring, Viton O-ring, Kynar split ring, and O-ring lubricant
4	BS810NC	1	Flow Chamber for Universal Sensor Mounting

ACCESSORY – INSERTION TUBE ASSEMBLY (LEGACY)

Figure 80. Insertion Tube Assembly (Legacy)



— NOTE

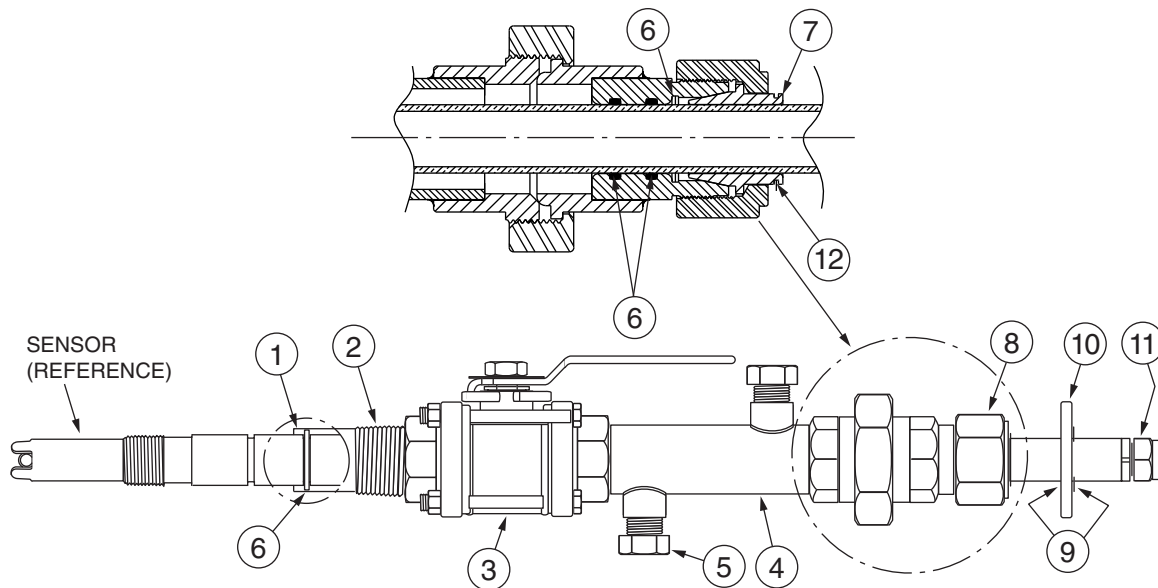
Refer to “ACCESSORY – BVA SERIES BALL VALVE INSERTION ASSEMBLY” on page 112 for additional options.

Item	Part No.	Qty.	Part Name
–	BS810JU	Below	Insertion Tube Assembly, 316 ss, 0 - 14 in insertion (Items 1 through 10)
–	BS811MB	Below	Insertion Tube Assembly, 316 ss, 0 - 22 in insertion (Items 1 through 10)
–	BS810MM	Below	Insertion Tube Assembly, Ti, 0 - 15 in insertion (Items 1 through 10)
–	BS811MC	Below	Insertion Tube Assembly, Ti, 0 - 23 in insertion (Items 1 through 10)
	Below	1	Insertion Shaft
1	BS810KF		With BS810JU Insertion Tube Assembly
	BS810JZ		With BS811MB Insertion Tube Assembly
	BS810MD		With BS810MM Insertion Tube Assembly
	BS810ME		With BS811MC Insertion Tube Assembly
	Below	1	Retraction Chamber Assembly with Purge Ports includes Retraction Chamber, Chamber Nut, and Ferrule Seat
2	BS810NH		With BS810JU and BS811MB Insertion Tube Assembly
	BS810NE		With BS810MM and BS811MC Insertion Tube Assembly
	Below	1	O-Ring Kit - includes one O-Ring for the Sensor, two O-Rings for the Ferrule Seat, and one Delrin Split Washer for the Ferrule Seat
*3	BS812PK		Viton (Standard)
	BS812PJ		EPDM (Option)
	BS812PL		Chemraz (Option)
	BS812PM		Kalrez (Option)
	BS815MW		Perfluoroelastomer (FFKM) (Option)
	Below	1	Ferrule, Split
*4	BS810LD		

Item	Part No.	Qty.	Part Name
5	X0178KZ	1	Nut, Tube, 1 1/4 NPT
6	X0174BM	2	Retaining E-Ring, ss
7	BS810LJ	1	Plate, Push/Pull
8	X0172WG	1	Fitting, Liquid Tight
9	X0177DL	1	Retaining Ring, Crescent, ss
*10	Below D0116KZ BS811MF	2	Plug, 1/2 NPT With BS810JU and BS811MB Insertion Tube Assembly With BS810MM and BS811MC Insertion Tube Assembly

ACCESSORY – BALL VALVE ASSEMBLY (LEGACY)

Figure 81. Ball Valve Assembly (Legacy)



— NOTE

Refer to “ACCESSORY – BVA SERIES BALL VALVE INSERTION ASSEMBLY” on page 112 for additional options.

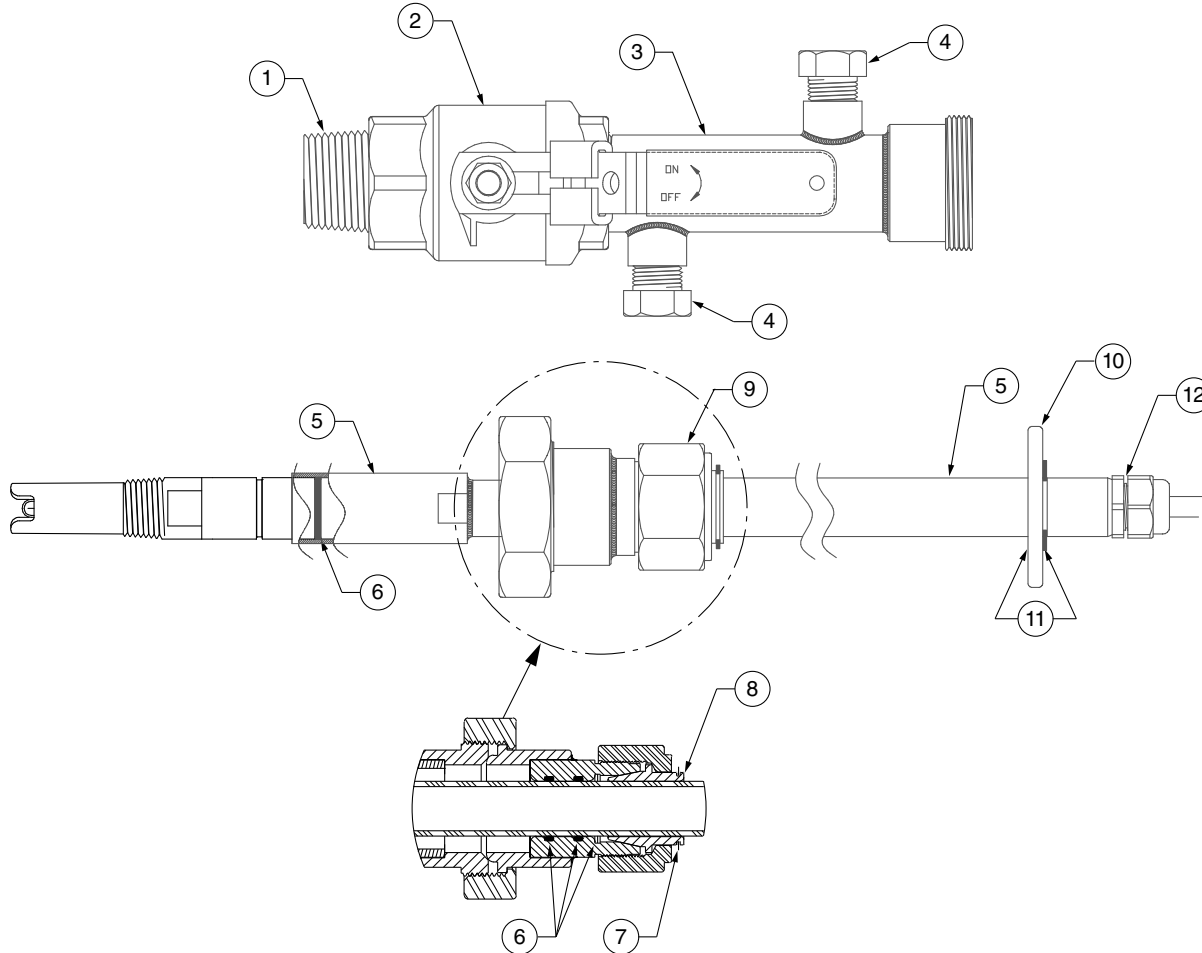
Item	Part No.	Qty.	Part Name
–	BS810LV	Below	Ball Valve Assembly, 316 ss, 0 to 8 in Insertion (Items 1 through 12 below)
–	BS810MJ	Below	Ball Valve Assembly, 316 ss, 0 to 16 in Insertion (Items 1 through 12 below)
–	BS810MT	Below	Ball Valve Assembly, Ti, 0 - 8 in insertion (Items 1 through 12 below)
–	BS810MQ	Below	Ball Valve Assembly, Ti, 0 - 16 in insertion (Items 1 through 12 below)
1	Below BS810KF BS810JZ BS810MD BS810ME	1	Insertion Shaft With BS810LV Ball Valve Assembly With BS810MJ Ball Valve Assembly With BS810MT Ball Valve Assembly With BS810MQ Ball Valve Assembly
2	Below E0121FA BS810NF	1	Pipe Nipple With BS810LV and BS810MJ Ball Valve Assembly With BS810MT and BS810MQ Ball Valve Assembly
3	Below X0176BV X0176CA	1	Ball Valve, 1 1/4 NPT With BS810LV and BS810MJ Ball Valve Assembly With BS810MT and BS810MQ Ball Valve Assembly
4	Below BS810NH BS810NE	1	Retraction Chamber Assembly with Purge Ports includes Retraction Chamber, Chamber Nut, and Ferrule Seat With BS810LV and BS810MJ Ball Valve Assembly With BS810MT and BS810MQ Ball Valve Assembly

Item	Part No.	Qty.	Part Name
*5	Below D0116KZ BS811MF	2	Plug, 1/2 NPT With BS810LV and BS810MJ Ball Valve Assembly With BS810MT and BS810MQ Ball Valve Assembly
*6	Below BS812PK BS812PJ BS812PL BS812PM BS815MW	1	O-Ring Kit - includes one O-Ring for the Sensor, two O-Rings for the Ferrule Seat, and one Delrin Split Washer for the Ferrule Seat Viton (Standard) EPDM (Option) Chemraz (Option) Kalrez (Option) Perfluoroelastomer (FFKM) (Option)
*7	BS810LD	1	Ferrule, Split
8	X0178KZ	1	Nut, Tube, 1 1/4 NPT
9	X0174BM	2	Retaining E-Ring, ss
10	BS810LJ	1	Plate, Push/Pull
11	X0172WG	1	Fitting, Liquid Tight
12	X0177DL	1	Retaining Ring, Crescent, ss

ACCESSORY – BVA SERIES BALL VALVE INSERTION ASSEMBLY

(Model Code BVA-PHA**)**

*Figure 82. BVA Series Ball Valve Insertion Assembly BVA-PHA*****



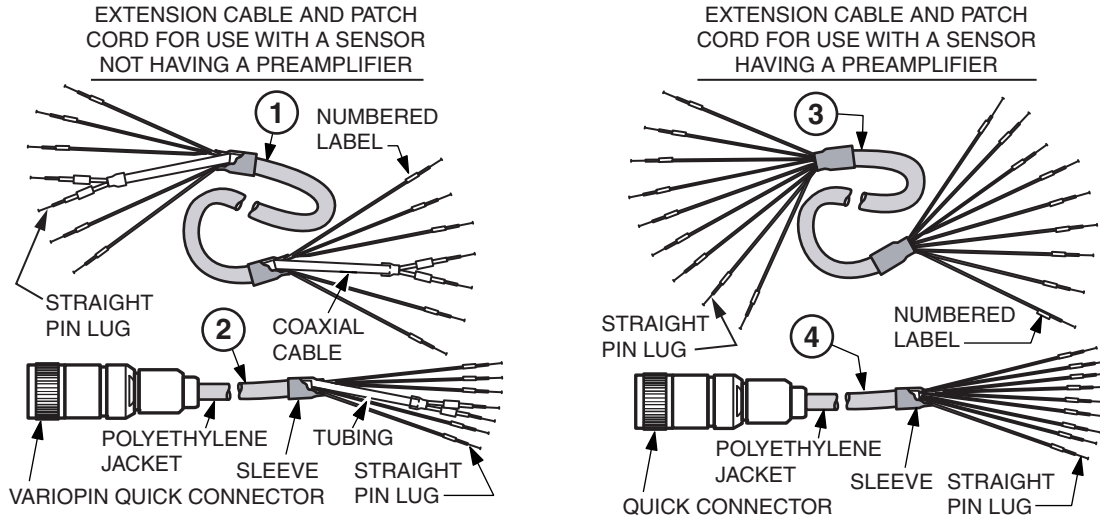
Item	Part No.	Qty.	Part Name
–	BVA-PHA****	Below	Refer to “MODEL CODE – BVA SERIES BALL VALVE INSERTION ASSEMBLY” on page 94 for ordering instructions.
1	Below E0121FA BS810NF	1	Pipe Nipple For Stainless Steel Models For Titanium Models
2	Below X0176BV X0176CA X0176BH	1	Ball Valve, 1 1/4 NPT For Stainless Steel Models For Titanium Models For PVDF Ball Valve Option
3	Below BS810NH BS810NE	1	Retraction Chamber Assembly with Purge Ports includes Retraction Chamber, Chamber Nut, and Ferrule Seat For Stainless Steel Models For Titanium Models

Item	Part No.	Qty.	Part Name
*4	Below D0116KZ BS811MF	2	Plug, 1/2 NPT For Stainless Steel Models For Titanium Models
5	Below BS810KF BS810JZ BS814BK BS814BL BS814BM BS810MD BS810ME BS814BN BS814BP BS814BQ	1	Insertion Shaft 8" Insertion Depth, 316 ss 16" Insertion Depth, 316 ss 24" Insertion Depth, 316 ss 32" Insertion Depth, 316 ss XX" Insertion Depth per Sales Order, 316 ss 8" Insertion Depth, Titanium 16" Insertion Depth, Titanium 24" Insertion Depth, Titanium 32" Insertion Depth, Titanium XX" Insertion Depth per Sales Order, Titanium
*6	Below BS812PL BS812PJ BS812PM BS815MW BS812PK	1	O-Ring Kit - includes one O-Ring for the Sensor, two O-Rings for the Ferrule Seat, and one Delrin Split Washer for the Ferrule Seat Chemraz EPDM Kalrez Perfluoroelastomer (FFKM) Viton
7	X0177DL	1	Retaining Ring, Crescent, ss
*8	Below BS810LD BS810MP	1	Ferrule, Split For Stainless Steel Models For Titanium Models
9	X0178KZ	1	Nut, Tube, 1 1/4 NPT
10	BS810LJ	1	Plate, Push/Pull
11	X0174BM	2	Retaining E-Ring, ss
12	X0172WG	1	Fitting, Liquid Tight
-	BS811NY	1	BV Safety Interlock (not shown)

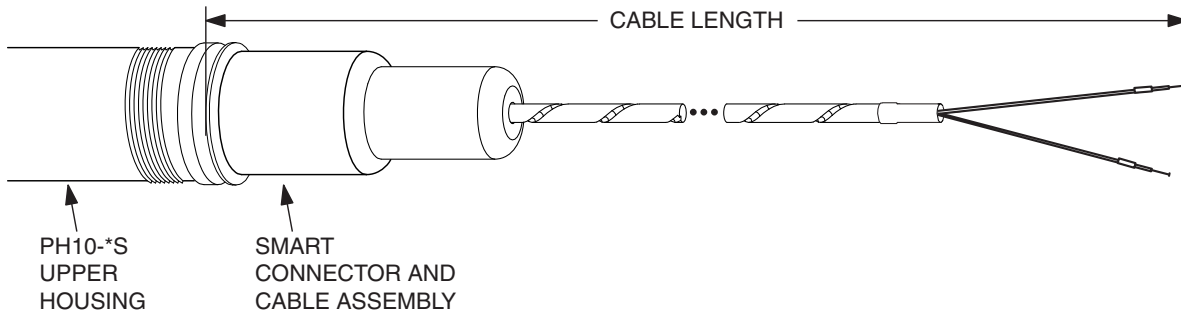
ACCESSORY – EXTENSION CABLES, PATCH CORDS, AND PC INTERFACE CABLE

Figure 83. Extension Cables And Patch Cords

ANALOG SENSOR



SMART SENSOR

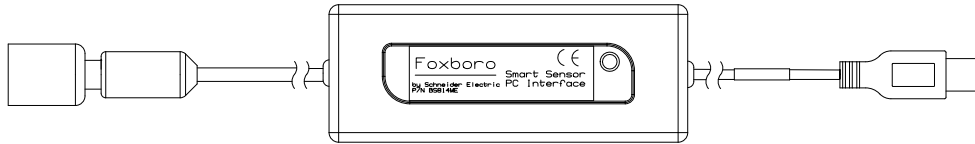


Item	Part No.	Qty.	Part Name (a)
1	Below	1	Extension Cable; Seven Terminals on Each End
	BS811HE		11 ft (3.35 m) long; +1 ft (+0.3 m), -0 ft (-0 m), Std. Temp
	BS811HF		21 ft (6.40 m) long; +1 ft (+0.3 m), -0 ft (-0 m), Std. Temp
	BS811HG		31 ft (9.45 m) long; +1 ft (+0.3 m), -0 ft (-0 m), Std. Temp
	BS811HH		41 ft (12.50 m) long; +1 ft (+0.3 m), -0 ft (-0 m), Std. Temp
	BS811HJ		51 ft (15.54 m) long; +1 ft (+0.3 m), -0 ft (-0 m), Std. Temp
	BS810ZV		11 ft (3.35 m) long; +1 ft (+0.3 m), -0 ft (-0 m), High Temp
	BS810ZW		21 ft (6.40 m) long; +1 ft (+0.3 m), -0 ft (-0 m), High Temp
	BS810ZX		31 ft (9.45 m) long; +1 ft (+0.3 m), -0 ft (-0 m), High Temp
	BS810ZY		41 ft (12.50 m) long; +1 ft (+0.3 m), -0 ft (-0 m), High Temp
	BS810ZZ		51 ft (15.54 m) long; +1 ft (+0.3 m), -0 ft (-0 m), High Temp
	2		Below
BS811GU		11 ft (3.35 m) long; +1 ft (+0.3 m), -0 ft (-0 m), Std. Temp	
BS811GV		21 ft (6.40 m) long; +1 ft (+0.3 m), -0 ft (-0 m), Std. Temp	

Item	Part No.	Qty.	Part Name (a)
	BS811GW		31 ft (9.45 m) long; +1 ft (+0.3 m), -0 ft (-0 m), Std. Temp
	BS811GX		41 ft (12.50 m) long; +1 ft (+0.3 m), -0 ft (-0 m), Std. Temp
	BS811GY		51 ft (15.54 m) long; +1 ft (+0.3 m), -0 ft (-0 m), Std. Temp
	BS810QA		11 ft (3.35 m) long; +1 ft (+0.3 m), -0 ft (-0 m), High Temp
	BS810QB		21 ft (6.40 m) long; +1 ft (+0.3 m), -0 ft (-0 m), High Temp
	BS810QC		31 ft (9.45 m) long; +1 ft (+0.3 m), -0 ft (-0 m), High Temp
	BS810QD		41 ft (12.50 m) long; +1 ft (+0.3 m), -0 ft (-0 m), High Temp
	BS810QE		51 ft (15.54 m) long; +1 ft (+0.3 m), -0 ft (-0 m), High Temp
3	BS811HW	1	Extension Cable; 9 Terminals on Each End, Std. Temp Specify Length up to 500 ft (152 m) maximum on Sales Order
4	BS811JB	1	Patch Cord; 9 Terminals and Variopin Quick Connector, Std. Temp Specify Length up to 500 ft (152 m) maximum on Sales Order
5		1	Patch Cord; 2 Terminals and Smart Quick Connector. High Temp
	BS814KB		10 ft (3.04 m) long, High Temp
	BS814KC		20 ft (6.1 m) long, High Temp
	BS814KD		30 ft (9.14 m) long, High Temp
	BS814KH		40 ft (12.19 m) long, High Temp
	BS814KJ		50 ft (15.24 m) long, High Temp
	BS814KK		Variable, High Temp
--	BS814ME		Foxboro Smart Sensor PC Interface Cable to Smart sensor cable for connection to PC with DTM. (Refer to Chapter 3, "PH10-*S Sensor Device Type Manager (DTM)" for details.) See Figure 84.

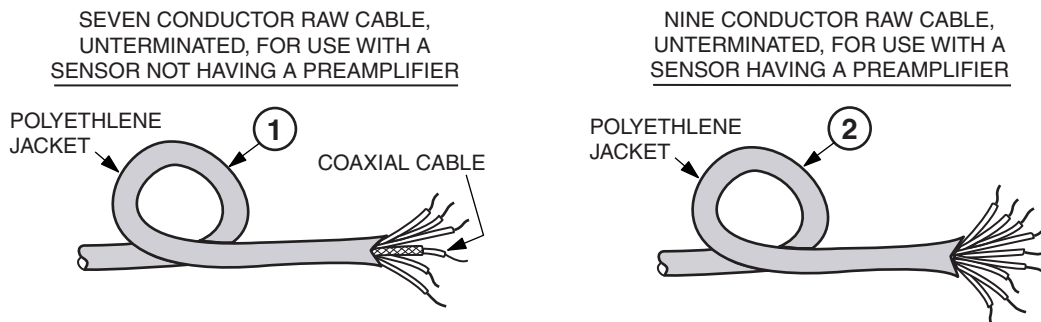
a. Standard temperature up to 85°C (185°F); High temperature up to 125°C (257°F).

Figure 84. Foxboro Smart Sensor PC Interface Cable



ACCESSORY – RAW CABLE - UNTERMINATED - FOR ANALOG SENSORS ONLY

Figure 85. Raw Cable - Unterminated

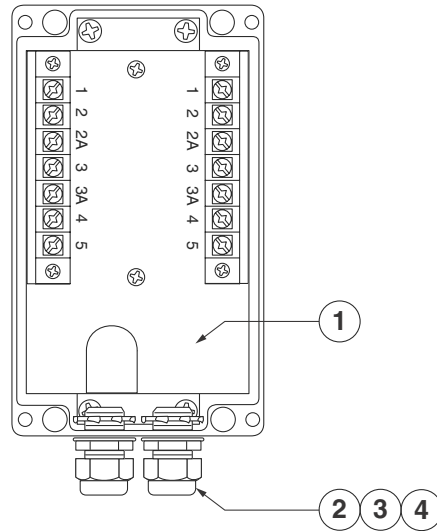


Item	Part No.	Qty.	Part Name
1	Below	A/R	Seven Conductor Extension Cable for Sensor without Preamp
	P0170UA		
	P0170UU		Standard Temperature Cable - to 85°C (185°F)
2	Below	A/R	Nine Conductor Extension Cable for Sensor with Preamp
	P0170UV		

NOTE
 Raw, unterminated cable is offered in continuous lengths up to 1000 ft (305 m). Specify both the applicable cable part number, and the length required in feet or meters. Cable terminations are to be provided by the user.

ACCESSORY – JUNCTION BOX ASSEMBLY

Figure 86. Junction Box Assembly (for use with Analog Version Sensors without a Preamplifier)

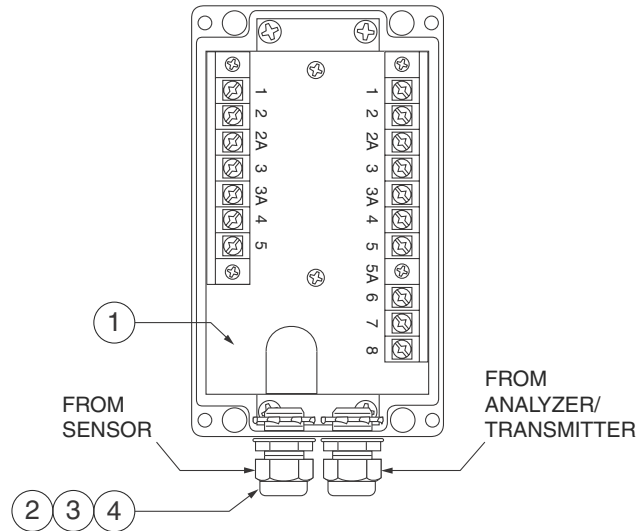


Item	Part No.	Qty.	Part Name
–	BS813XN	Below	Junction Box Assembly (for Analog Version Sensors without a Preamplifier)
1	BS813XM	1	Terminal Block Assembly; No Amplifier (see Note)
2	X0172WG	2	Bushing Assembly; Liquid Tight
3	BS800AH	2	O-Ring, Sealing; Buna-N
4	2800041	2	Locknut, Conduit; 3/4 NPT

NOTE
 Item 1 may be ordered separately.

ACCESSORY – REMOTE PREAMPLIFIER JUNCTION BOX ASSEMBLY

Figure 87. Remote Preamplifier Junction Box Assembly - For Use With Analog Version Sensors Without a Preamplifier



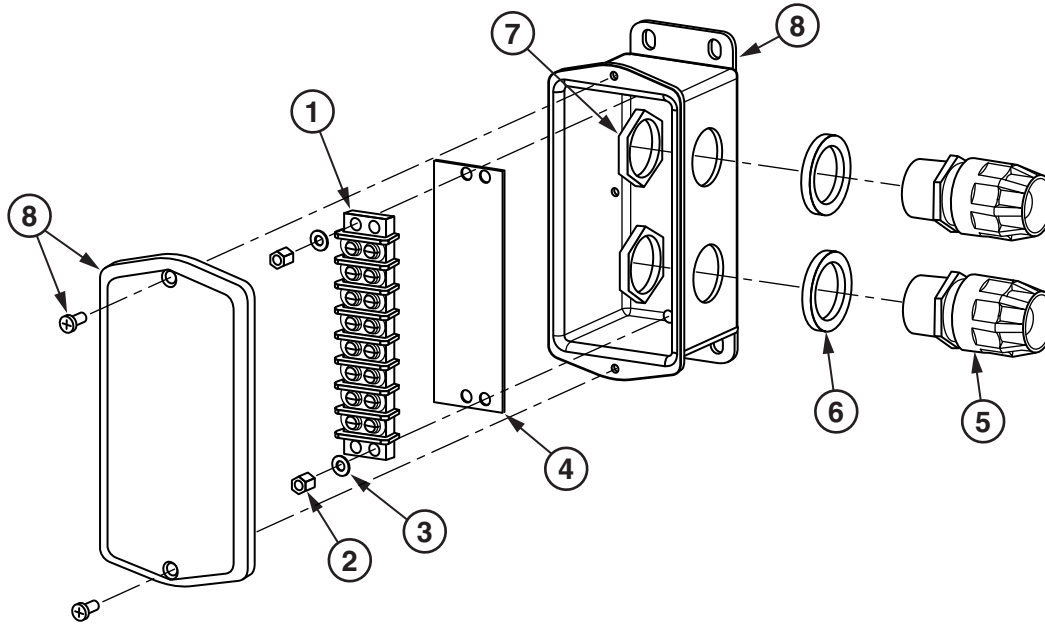
Item	Part No.	Qty.	Part Name
–	BS811MR	Below	Junction Box Assembly; with Amplifier
1	BS811ND	1	Terminal Block Assembly; with Amplifier (see Note)
2	X0172WG	2	Bushing Assembly; Liquid Tight
3	BS800AH	2	O-Ring, Sealing; Buna-N
4	2800041	2	Locknut, Conduit; 3/4 NPT

NOTE

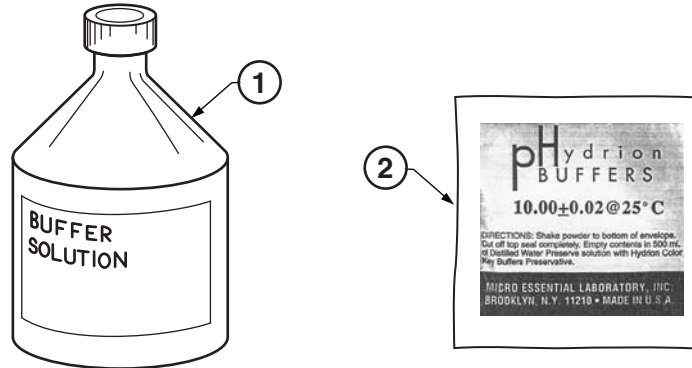
Item 1 may be ordered separately.

ACCESSORY – JUNCTION BOX ASSEMBLY FOR ANALOG SENSORS WITH PREAMPLIFIER

Figure 88. Junction Box Assembly for Use with Analog Sensors Having a Preamplifier



Item	Part No.	Qty.	Part Name
–	BS807BZ	Below	Junction Box Assembly, Items 1 to 8 (For Analog Sensors having a Preamplifier)
1	2100105	1	Terminal Block Assembly Includes sixteen 0.138-32 Binder Head Screws
2	2800712	2	Nut (Spacer), Hex Head, 0.138-32 x 0.25
3	2800375	2	Washer, Lock, 0.138
4	XS004GY	1	Marker Strip
5	2100108	2	Cable Gland (Connector)
6	BS800AH	2	Seal, Buna N
7	2800041	2	Nut, Lock, Conduit, 3/4 NPT
8	BS807JL	1	Junction Box Enclosure Includes Cover and Cover Screws

ACCESSORY – BUFFER SOLUTION AND SALT PACKET*Figure 89. Buffer Solution and Salt Packet for Model PH10*

Item	Part No.	Qty.	Part Name
*1	Below	A/R	Buffer Solution; 4, 7, and 10 pH
	Q0104KC		pH 4.00 \pm 0.01 at 25°C (77°F), Potassium Hydrogen Phthalate
	Q0104KB		pH 7.00 \pm 0.02 at 25°C (77°F), Potassium Phosphate Monobasic/Sodium Hydroxide
	Q0104KA		pH 10.00 \pm 0.02 at 25°C (77°F), Potassium Carbonate/Potassium Borate/Potassium Hydroxide
*2	Below	A/R	Hydrion Buffer Salt Packet; 4, 7, and 10 pH
	1600100		pH 4.00, 6 grams per Packet (see Note below), Potassium Biphthalate Dry Powder
	1600101		pH 7.00, 6 grams per Packet (see Note below), Sodium Phosphate Dibasic/Potassium Phosphate Monobasic
	1600102		pH 10.00, 6 grams per Packet (see Note below), Sodium Carbonate/Sodium Bicarbonate

NOTE

To convert the salt packet to a buffer solution, mix the packet contents with 0.47 liters (16 fluid ounces) of distilled water, and stir thoroughly.

RECOMMENDED SPARE PARTS SUMMARY

Figure Number (a)	Item Number	Part Number	Part Name	Number of Parts Recommended for		
				1 Inst.	5 Inst.	20 Inst.
68	1	Model No.	Sensor Assembly (b)	A/R	A/R	A/R
70 75 77 79	3 3 3 3	BS811HK	Kit, Seals for Universal Adapter Kit includes a Kynar split ring, Viton O-ring, Kynar backup ring, and O-ring lubricant	1	2	5
80	3	Below BS812PK BS812PJ BS812PL BS812PM BS815MW	O-Ring Kit (c) Viton (Standard) EPDM (Option) Chemraz (Option) Kalrez (Option) Perfluoroelastomer (FFKM) (Option)	2	4	10
	4	BS810LD	Ferrule, Split	2	4	10
	10	Below D0116KZ BS811MF	Plug, 1/2 NPT For 316 ss models For titanium models	2	4	10
81	5	Below D0116KZ BS811MF	Plug, 1/2 NPT For 316 ss models For titanium models	2	4	10
	6	Below BS812PK BS812PJ BS812PL BS812PM BS815MW	O-Ring Kit (c) Viton (Standard) EPDM (Option) Chemraz (Option) Kalrez (Option) Perfluoroelastomer (FFKM) (Option)	2	4	10
	7	BS810LD	Ferrule, Split	2	4	10
82	4	Below D0116KZ BS811MF	Plug, 1/2 NPT For 316 ss models For titanium models	2	4	10
	6	Below BS812PL BS812PJ BS812PM BS815MW BS812PK	O-Ring Kit (c) Chemraz EPDM Kalrez Perfluoroelastomer (FFKM) Viton	2	4	10
	8	Below BS810LD BS810MP	Ferrule, Split For 316 ss models For titanium models	2	4	10
89	1	Below Q0104KC Q0104KB Q0104KA	Buffer Solution (16 Fluid Ounces) for Model PH10 pH 4.00 at ± 0.01 at 25°C (77°F) pH 7.00 at ± 0.02 at 25°C (77°F) pH 10.00 at ± 0.02 at 25°C (77°F)	A/R	A/R	A/R
	2	Below 1600100 1600101 1600102	Hydriion Buffer Salt Packet for Model PH10 pH 4.00 (16 fluid ounces when mixed) pH 7.00 (16 fluid ounces when mixed) pH 10.00 (16 fluid ounces when mixed)	A/R	A/R	A/R

- a. Figures 70 through 89 represent accessories used with the DolpHin sensor assembly.
- b. The sensor assembly has no individual replaceable parts, and must be replaced in its entirety by specifying the Model Number.
- c. The O-ring kit consists of two O-rings for the ferrule seat, one Delrin split washer for the ferrule seat, one O-ring for the sensor, and O-ring lubricant.

ISSUE DATES

SEP 2002	JAN 2014
NOV 2003	SEP 2014
AUG 2009	MAR 2015
MAY 2010	

Vertical lines to the right of text or illustrations indicate areas changed at last issue date.

Foxboro[®]
by **Schneider Electric**

Invensys Systems, Inc.
10900 Equity Drive
Houston, TX 77041
United States of America
<http://www.invensys.com>

Global Customer Support
Inside U.S.: 1-866-746-6477
Outside U.S.: 1-508-549-2424
Website: <http://support.ips.invensys.com>

Copyright 2002-2015 Invensys Systems, Inc.
All rights reserved.

Invensys, Foxboro, and DolpHin are trademarks of Invensys Limited, its subsidiaries, and affiliates. All other trademarks are the property of their respective owners.

Invensys is now part of Schneider Electric.